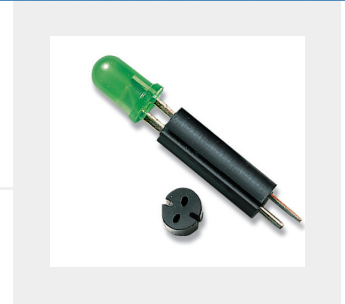


LED MOUNTS/SPACERS

Extruded, Self-Retaining LED Mounts

- Self Retaining feature for auto insertion & pre-assembly
- Universal fit for all through-hole LEDs
- Available in standard and metric sizes
- Operating temperature range -40°C~ +85°C



Price Code Chart

"L" Dimensions	ELM 1	ELM 2, ELM 4 ELM 5, ELM 7	ELM 3
.030 - .075 (1.0 - 1.9)	V	U	W
.080 - .150 (2.0 - 3.8)	W	V	W
.155 - .230 (4.0 - 5.8)	X	W	X
.235 - .310 (6.0 - 7.9)	Z	X	Y
.315 - .380 (8.0 - 9.7)	Z	Y	Z
.385 - .495 (9.8 - 12.6)	ZZ	Z	ZZ
.500 - .750 (12.7 - 19.1)	ZZZ	ZZZ	ZZZ
.755 - 1.250 (19.2 - 31.8)	ZZZZ	ZZZZ	ZZZZ

Examples:

ELM 3-050 is price code W

ELM 1-410 is price code ZZ

ELM 2-400 is price code Z

Standard Tolerances Extruded LED Mounted:

Tolerances: O.D. ± 0.005 (.13), I.D. ± 0.005 (.13)

"L" Dim: .030 - .500 (1.0 - 12.7) is ± 0.005 (.13)

"L" Dim: .505 - .750 (12.8 - 19.1) is ± 0.008 (.20)

"L" Dim: .755 - 1.250 (19.2 - 21.8) is ± 0.015 (.38)

UL Rated 94V-0 PVC Alloy

Oxygen Index: +28%

UL File #E179500

Ordering Information:

ELM | XXX

Length Expressed in Inches
(Must be even multiples of .005")
or whole millimeters (example: 2mm)

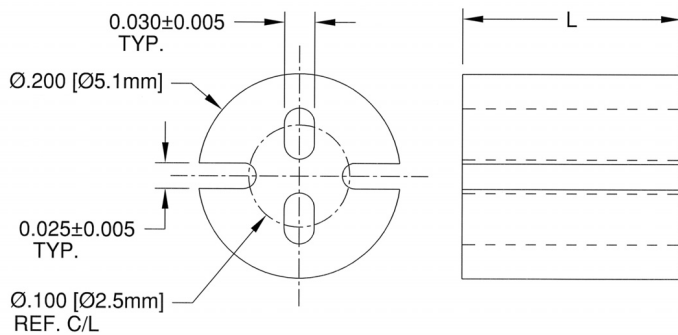
0.030 = 030 0.750 = 750

0.100 = 100 1.250 = 1.250

Series

ELM 1 Series

T-1^{3/4} (5mm) LED Mount -2 Leads
Color: Black



ELM 2 Series

T-1 (3mm) LED Mount -2 Leads
Color: Black

