

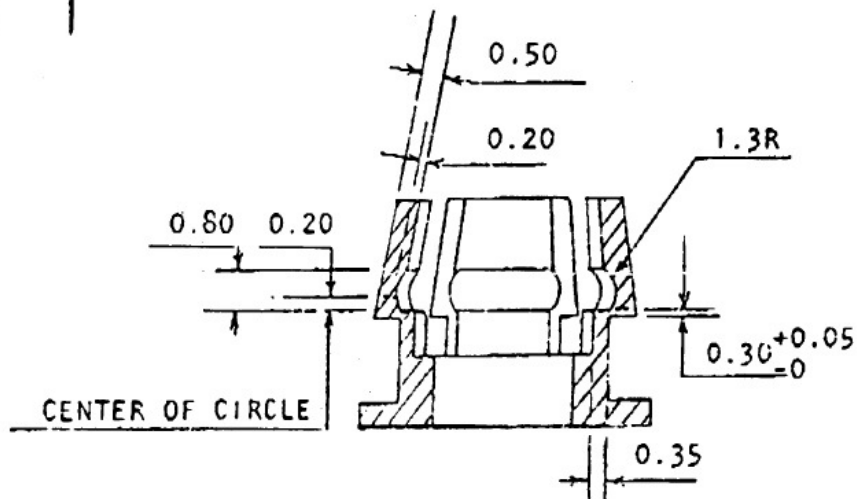
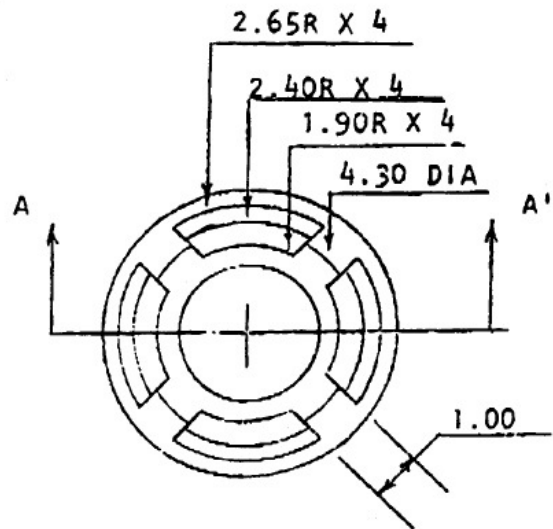
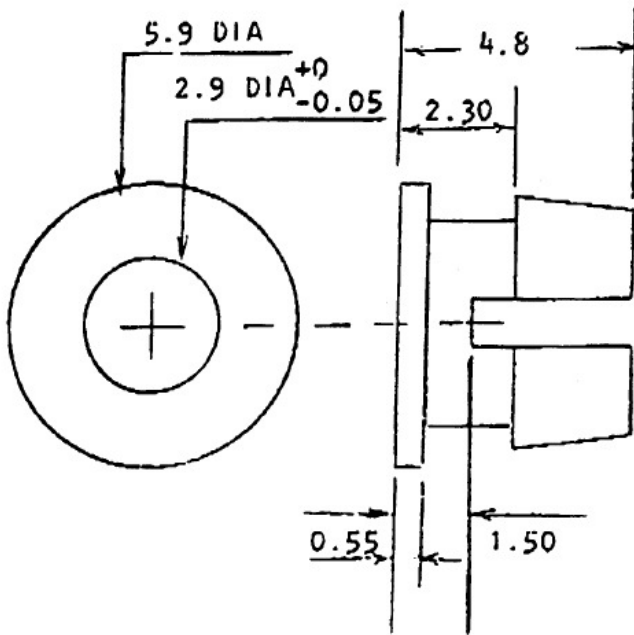
LED TECHNOLOGY

A DIVISION OF THE FIBRE-DATA GROUP



LED Holder

Part Number FDC003
 Colour Black
 For Use With: 3mm / T-1 LEDs



TOL. IS .X ± 0.1
 .XX ± 0.05

CENTER OF CIRCLE

SECTION A-A'