



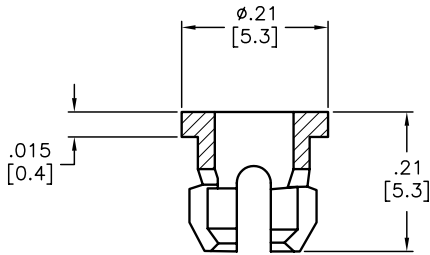
ALL RIGHTS RESERVED. NO PORTION OF THIS PUBLICATION, WHETHER IN WHOLE OR IN PART, CAN BE REPRODUCED WITHOUT THE EXPRESS WRITTEN CONSENT OF SPC TECHNOLOGY.

SPC-F005.DWG

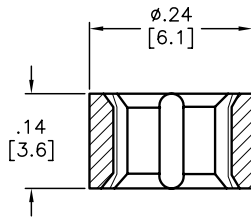
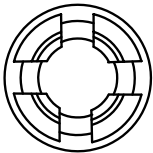
REVISIONS

DOC. NO. SPC-F005 * Effective: 7/8/02 * DCP No: 1398

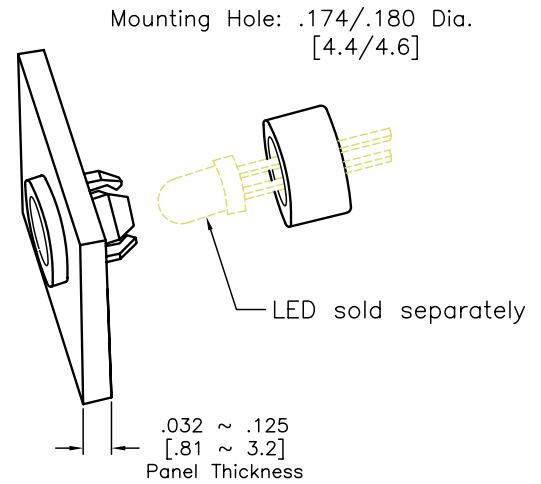
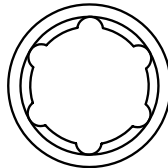
DCP #	REV	DESCRIPTION	DRAWN	DATE	CHECKD	DATE	APPRVD	DATE
1647	B	Redrawn, Mtg info added	JWM	1/2/04	JC	1/2/04	JC	1/2/04
1865	C	RoHS ADDED	DCM	10/30/05	JWM	10/31/05	JWM	10/31/05



Clip



Ring



NOTES:

- Sold in a set with ring and clip
- Material: Nylon 6/6, UL94V-0, Black
- Fits Large Flange LED Type T-1

DISCLAIMER:
ALL STATEMENTS AND TECHNICAL INFORMATION CONTAINED HEREIN ARE BASED UPON INFORMATION AND/OR TESTS WE BELIEVE TO BE ACCURATE AND RELIABLE. SINCE CONDITIONS OF USE ARE BEYOND OUR CONTROL, THE USER SHALL DETERMINE THE SUITABILITY OF THE PRODUCT FOR THE INTENDED USE AND ASSUME ALL RISK AND LIABILITY WHATSOEVER IN CONNECTION THEREWITH.

TOLERANCES:
Tolerances: Unless
Otherwise Specified:
.XX = ±.010
.XXX = ±.005
Fractional = ±1/64
Angles = ±1°

DRAWN BY:	DATE:
Jeff McVicker	5/18/98
CHECKED BY:	DATE:
JOHN COLE	7/29/98
APPROVED BY:	DATE:
Daniel Carey	7/30/98

DRAWING TITLE:			
LED Holder Set			
SIZE	DWG. NO.	ELECTRONIC FILE	REV
A	2599	92N4814.dwg	C
SCALE: NTS	U.O.M.: INCHES [mm]	SHEET: 1 OF 1	