



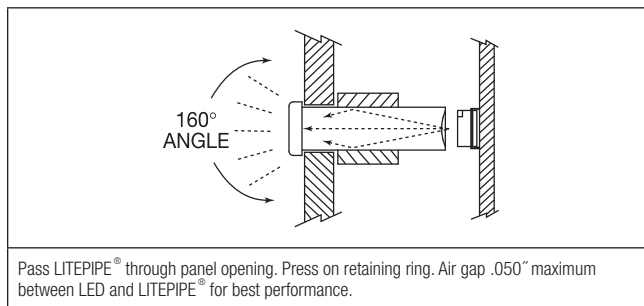
SPECIFICATIONS

MATERIAL	LITEPIPE® - Acrylic (Clear optical grade) Grommet - Polyethelene, (black) (U.L. Listed Materials)
DESIGN	Low profile, small diameter LITEPIPE®.
MOUNTING	Mounts in .102" (2.59mm) hole on 3/16" centers. Panel thickness 1/32" to 1/8". Use grommet retainer (RTN 100).
STANDOFF	Use standoff to adjust height of standard LED above the PCB in order to maintain a maximum .050" clearance between LITEPIPE® and LED. See STD Series data sheet on page 31.



U.S. & Foreign Patents Issued and Pending

SURFACE MOUNT LED APPLICATION



VERSATILITY

The 2.5mm LITEPIPE® provides a method of transmitting the light from PCB mounted LEDs to the front display panel. Both styles of LEDs, surface mount, 3mm and 5mm standard packages can be displayed in this manner.

BRIGHTNESS

The LITEPIPE® increases the apparent brightness and viewing angle of a PCB mounted LED. LITEPIPE® transmits the light from the source to the lens, which in turn disperses the light up to 160 degrees.

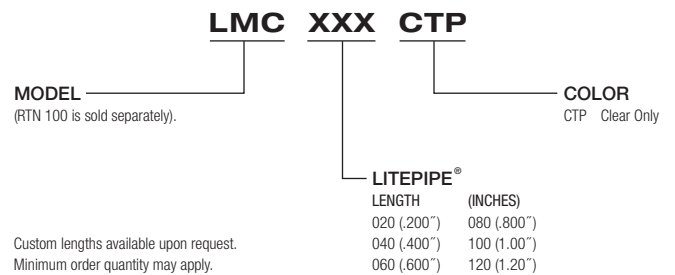
APPLICATION

The 2.5mm LITEPIPE® is available for use with both surface mount and standard package 3mm and 5mm LEDs. Because there is no physical connection between the LITEPIPE® and PCB mounted LED, the circuit board can be installed or removed without disturbing the panel display.

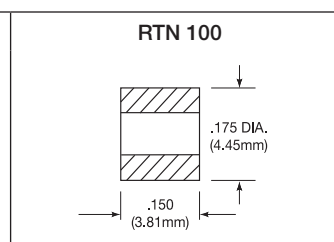
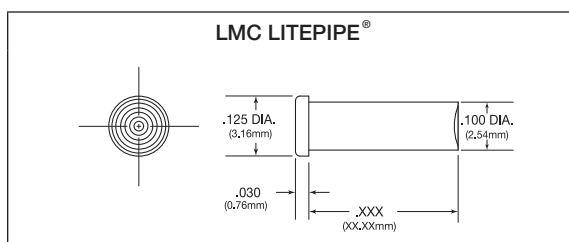
INSTALLATION

The LITEPIPE® assembly is easily installed. Pass the LITEPIPE® through the panel opening and press on grommet retainer to secure unit to the panel. Slide PCB into position aligning LED with the end of the LITEPIPE®.

ORDERING CODES



OUTLINE DRAWING



RECOMMENDED LEDs

