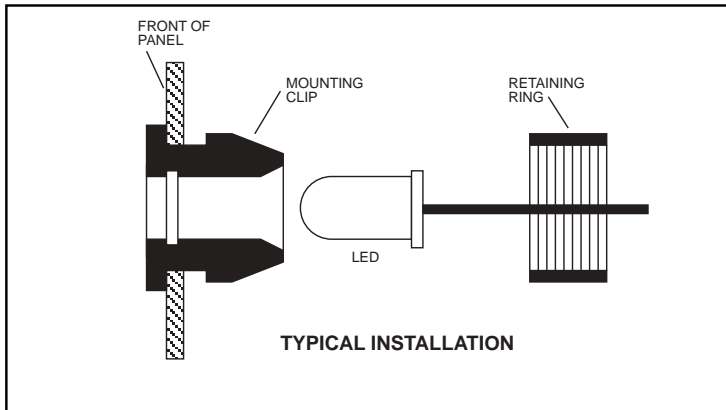


# 5mm LED Snap-In Mounting Clips

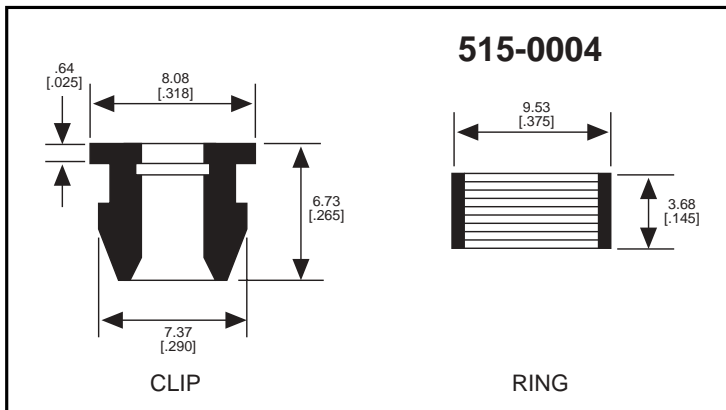


## Mounting Instructions

1. Snap Mounting Clip into front of Panel.
2. Insert LED Lamp into Mounting Clip from rear of Panel.
3. Snap Retaining Ring over Mounting Clip from rear.

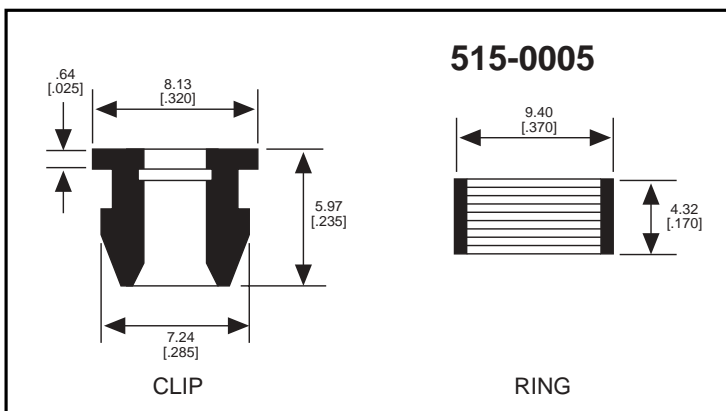
**Recommended Mounting Hole:** 6.73 [.265]

**Maximum Panel Thickness:** 2.78 [.110]



515-0004 Snap-In Mounting Clips for use with the following LEDs:

- |          |          |
|----------|----------|
| 521-9183 | 521-9321 |
| 521-9246 | 521-9327 |
| 521-9247 | 521-9450 |
| 521-9248 | 521-9460 |
| 521-9249 | 521-9464 |
| 521-9250 | 521-9465 |
| 521-9251 | 521-9466 |
| 521-9284 | 521-9704 |
| 521-9320 |          |



515-0005 Snap-In Mounting Clips for use with the following LEDs:

- 521-9173
- 521-9174
- 521-9445
- 521-9651
- 521-9724