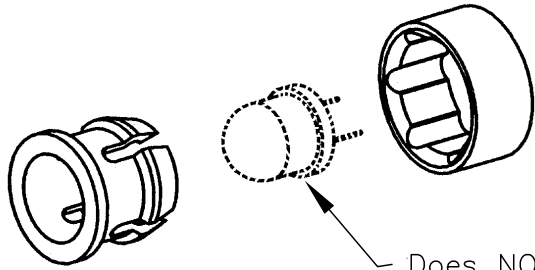


© COPYRIGHT 1998 BY SPC TECHNOLOGY. ALL RIGHTS RESERVED. NO PORTION OF THIS PUBLICATION, WHETHER IN WHOLE OR IN PART CAN BE REPRODUCED WITHOUT THE EXPRESS WRITTEN CONSENT OF SPC TECHNOLOGY.



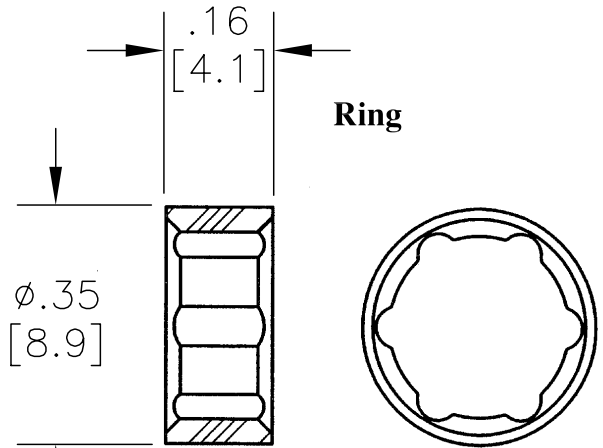
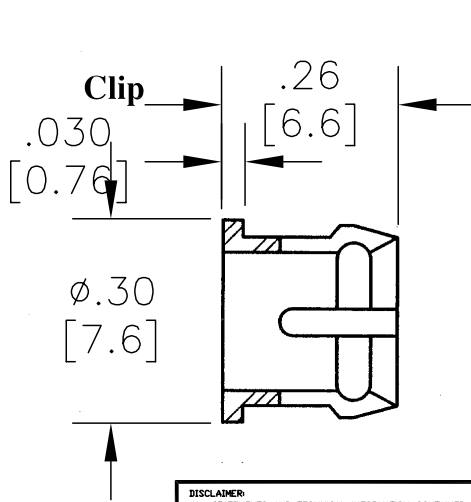
RoHS Compliant

REVISIONS			DOC. NO. SPC-F005, Total Pages: 2 Effective: 7/15/97. DCP No: 229 Supersedes DCP No: 103					
DCP #	REV	DESCRIPTION	DRAWN	DATE	CHECKD	DATE	APPRVD	DATE
392	A	RELEASED	J.W.M.	7/14/98	J.C.	7/24/98	D.J.C.	7/27/98
1865	B	RoHS ADDED	DCM	10/30/05	JWM	10/31/05	JWM	10/31/05



Does NOT include LED

Mounting Hole
.267/.273 ϕ [6.89/6.9]
Panel Thickness
.032~.125 [.81~3.2]



- NOTES:
1. Material: Nylon
 2. Clip: UL94V-0
 3. Ring: UL94V-0
 4. Color: Black
 5. For LED Type: T1 3/4

DISCLAIMER:
ALL STATEMENTS AND TECHNICAL INFORMATION CONTAINED HEREIN ARE BASED UPON INFORMATION AND/OR TESTS WE BELIEVE TO BE ACCURATE AND RELIABLE. SINCE CONDITIONS OF USE ARE BEYOND OUR CONTROL, THE USER SHALL DETERMINE THE SUITABILITY OF THE PRODUCT FOR THE INTENDED USE AND ASSUME ALL RISK AND LIABILITY WHATSOEVER IN CONNECTION THEREWITH.

Tolerances Unless Otherwise Specified:
.XX = ± 0.10
.XXX = ± 0.005
Frac. = $\pm 1/64$
Ang = $\pm 1^\circ$

DRAWN BY:	DATE:
Jeff McVicker	7/14/98
CHECKED BY:	DATE:
John Cole	7/24/98
APPROVED BY:	DATE:
Daniel Carey	7/27/98



SPC TECHNOLOGY

DRAWING TITLE: LED Holder Set (Clip and Ring)			
SIZE	DWG. NO.	ELECTRONIC FILE	REV
A	2600	92N4815.dwg	B
SCALE: NTS	U.O.M.: INCHES [mm]	SHEET: 1 OF 1	