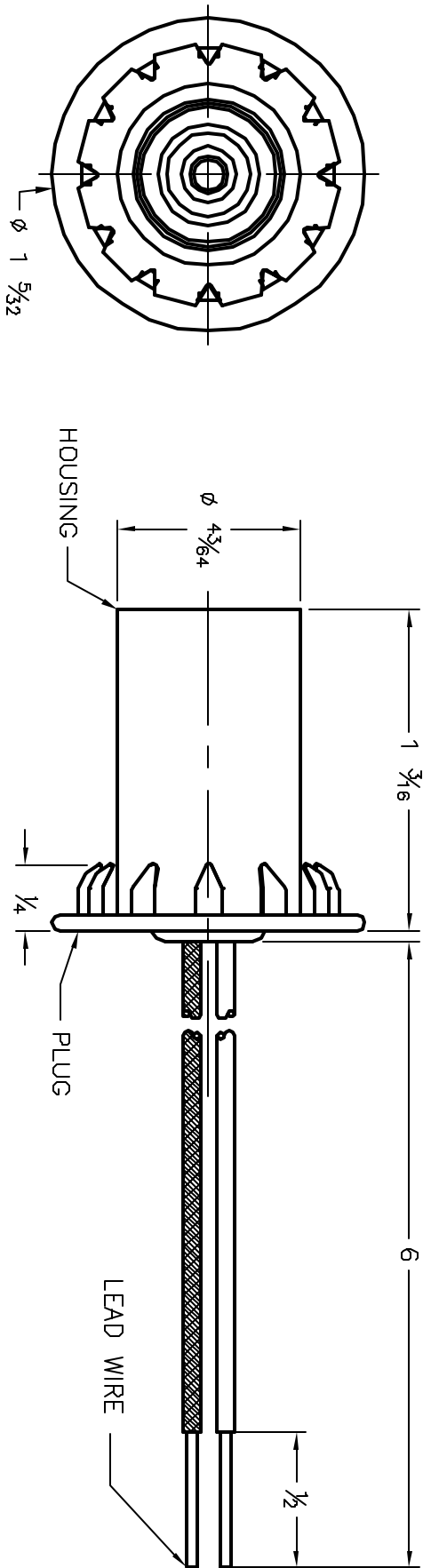


ALL RIGHTS RESERVED. NO PORTION OF THIS PUBLICATION, WHETHER IN WHOLE OR IN PART CAN BE REPRODUCED WITHOUT THE EXPRESS WRITTEN CONSENT OF SPC TECHNOLOGY.

REVISIONS		DOC. NO.	DATE	CHECKED	DATE	APPROVED	DATE
DGP #	REV	DESCRIPTION	DRAWN	DATE	CHECKED	DATE	APPROVED
1948	A	RELEASED	J.A.P.	10/2/98	J.C.	10/19/98	B.B. 10/21/98



- NOTES:**
1. HOUSING MATERIAL: BAKELITE OR EQUIVALENT, INSULATED
 2. PLUG: FOR 1⁵/₆ HOLE, ZINC & CLEAR PLATED
 3. LEAD WIRE: (2)18 GAUGE, TINNED - BLACK LEAD TO CENTER CONTACT, WHITE LEAD TO SHELL

DISCLAIMER:
 ALL STATEMENTS AND TECHNICAL INFORMATION CONTAINED HEREIN ARE BASED UPON INFORMATION AND/OR TESTS WE BELIEVE TO BE ACCURATE AND RELIABLE. SINCE CONDITIONS OF USE ARE BEYOND OUR CONTROL, THE USER SHALL DETERMINE THE SUITABILITY OF THE PRODUCT FOR THE INTENDED USE AND ASSUME ALL RISK AND LIABILITY WHATSOEVER IN CONNECTION THEREWITH.



SPC TECHNOLOGY

DRAWING TITLE:
Candelabra Base Lamp Holder With Plug Button

Tolerances Unless Otherwise Specified		DRAWN BY:		DATE:	
Fraction 1/64		J.A.P.		10/2/96	
		CHECKED BY:		DATE:	
		J.C.		10/18/96	
		APPROVED BY:		DATE:	
		B.B.		10/21/96	

SIZE	DWG. NO.	ELECTRONIC FILE	REV
A	SPC21749	16M1240.DWG	A
SCALE:	NTS	U.O.M.: INCHES	SHEET: 1 OF 1