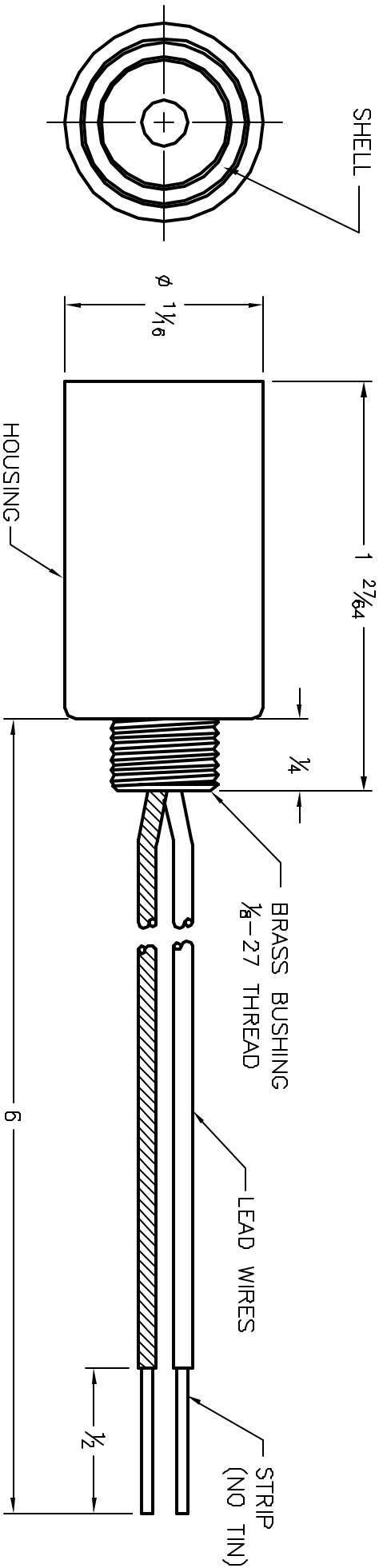


ALL RIGHTS RESERVED. NO PORTION OF THIS PUBLICATION, WHETHER IN WHOLE OR IN PART CAN BE REPRODUCED WITHOUT THE EXPRESS WRITTEN CONSENT OF SPC TECHNOLOGY.

REVISIONS		DOC. NO. SPC-F005	Effective 12/21/98	DCP No. 890				
DCP #	REV	DESCRIPTION	DRAWN	DATE	CHECKD	DATE	APPRVD	DATE
1948	A	RELEASED	J.A.P.	9/4/98	J.C.	9/23/98	B.B.	9/30/98



- NOTES:**
1. LEAD WIRES: 18 GA - BLACK LEAD TO CTR WHITE LEAD TO SHELL
  2. MATERIAL: SHELL - BRASS, TIN PLATED
  3. HOUSING: INSULATED, MOLDED
  4. TYPE: INSULATED CANDELABRA SCREW BASE  
(SUPPLIED WITH NUT & LOCKWASHER)

**DISCLAIMER:**  
ALL STATEMENTS AND TECHNICAL INFORMATION CONTAINED HEREIN ARE BASED UPON INFORMATION AND/OR TESTS WE BELIEVE TO BE ACCURATE AND RELIABLE. SINCE CONDITIONS OF USE ARE BEYOND OUR CONTROL, THE USER SHALL DETERMINE THE SUITABILITY OF THE PRODUCT FOR THE INTENDED USE AND ASSUME ALL RISK AND LIABILITY WHOSOEVER IN CONNECTION THEREWITH.



**SPC TECHNOLOGY**

DRAWING TITLE: Insulated Candelabra Base LampHolder With 2 Leads

DRAWN BY: J.A.P.	DATE: 9/4/96	SIZE: A	DWG. NO.: SPC21748	ELECTRONIC FILE: 16M1239.DWG	REV: A
CHECKED BY: J.C.	DATE: 9/23/96	SCALE: NTS	U.O.M.: INCHES	SHEET: 1	OF 1
Tolerances Unless Otherwise Specified Fraction $\frac{1}{64}$		SPC-F005.DWG			