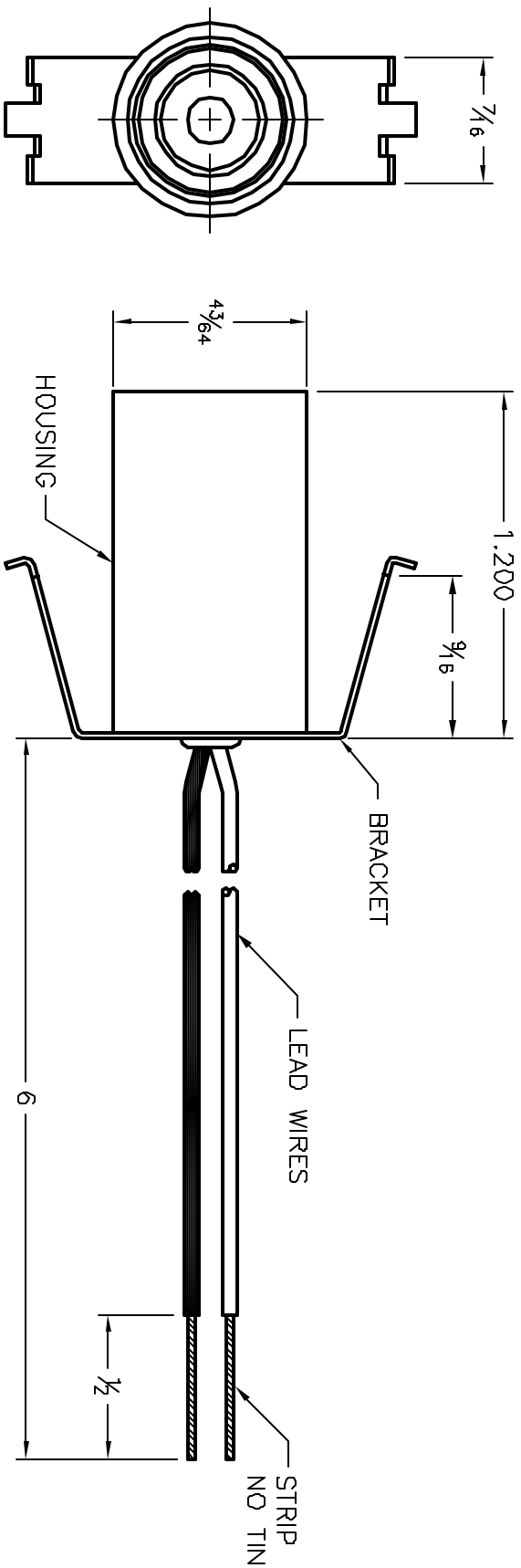


ALL RIGHTS RESERVED. NO PORTION OF THIS PUBLICATION, WHETHER IN WHOLE OR IN PART CAN BE REPRODUCED WITHOUT THE EXPRESS WRITTEN CONSENT OF SPC TECHNOLOGY.

REVISIONS		DOC. NO. SPC-F005	Effective 12/21/98	DCP No. B90				
DCP #	REV	DESCRIPTION	DRAWN	DATE	CHECKD	DATE	APPRVD	DATE
1948	A	RELEASED	J.A.P.	8/27/96	J.C.	9/23/96	B.B.	9/30/96



NOTES:

1. BRACKET MATERIAL: 0.025 STEEL, ZINC & CLEAR PLATED, .060 CLIP ON
2. LEAD WIRES: 18 GA, TINNED
BLACK LEAD TO CENTER CONTACT
WHITE LEAD TO SHELL
3. HOUSING TYPE: INSULATED, MOLDED BAKELITE OR EQUIVALENT

DISCLAIMER:
ALL STATEMENTS AND TECHNICAL INFORMATION CONTAINED HEREIN ARE BASED UPON INFORMATION AND/OR TESTS WE BELIEVE TO BE ACCURATE AND RELIABLE. SINCE CONDITIONS OF USE ARE BEYOND OUR CONTROL, THE USER SHALL DETERMINE THE SUITABILITY OF THE PRODUCT FOR THE INTENDED USE AND ASSUME ALL RISK AND LIABILITY WHOSOEVER IN CONNECTION THEREWITH.



SPC TECHNOLOGY

DRAWING TITLE: **Insulated Candelabra Screw Base Lamp Holder**

Drawn By:	J.A.P.	Date:	8/27/96
Checked By:	J.C.	Date:	9/23/96
Approved By:	B.B.	Date:	9/30/96

Size	DWG. NO.	Scale	NTS	U.O.M.: INCHES	Electronic File	REV
A	SPC21747				16M1238.DWG	A
Tolerances Unless Otherwise Specified				Fraction 1/64		
				Decimals .XXX ± 0.005		
SHEET: 1				OF 1		