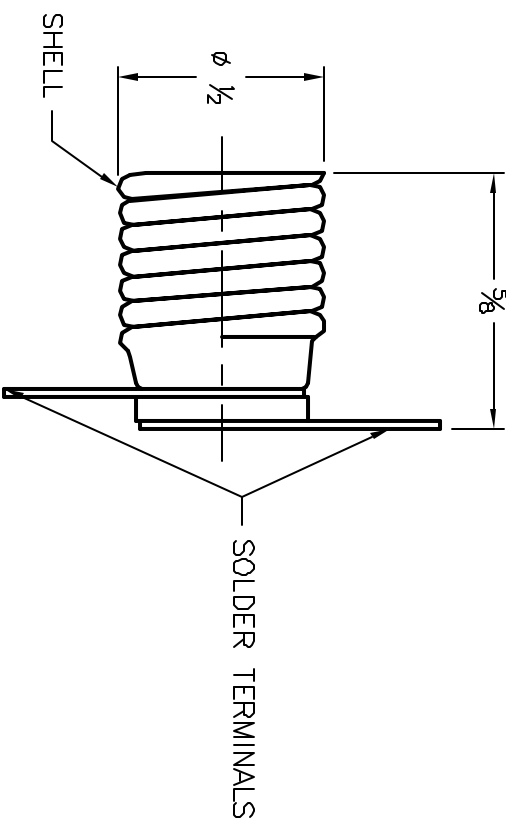
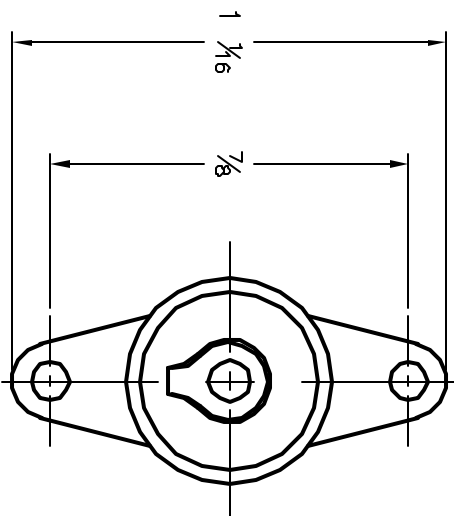


ALL RIGHTS RESERVED. NO PORTION OF THIS PUBLICATION, WHETHER IN WHOLE OR IN PART CAN BE REPRODUCED WITHOUT THE EXPRESS WRITTEN CONSENT OF SPC TECHNOLOGY.

REVISIONS		DOC. NO. SPC-F005	Effective 12/21/98	DCP No. B90				
DCP #	REV	DESCRIPTION	DRAWN	DATE	CHECKD	DATE	APPRVD	DATE
1948	A	RELEASED	J.A.P.	9/4/98	J.C.	9/30/98	B.B.	9/30/98



- NOTES:**
1. SHELL MATERIAL: BRASS, ZINC & CLEAR PLATED
 2. TERMINALS MATERIAL: STEEL, TIN PLATED
 3. TYPE: SINGLE CONTACT, SCREW BASE WITH (2) SOLDER TERMINALS

DISCLAIMER:
 ALL STATEMENTS AND TECHNICAL INFORMATION CONTAINED HEREIN ARE BASED UPON INFORMATION AND/OR TESTS WE BELIEVE TO BE ACCURATE AND RELIABLE. SINCE CONDITIONS OF USE ARE BEYOND OUR CONTROL, THE USER SHALL DETERMINE THE SUITABILITY OF THE PRODUCT FOR THE INTENDED USE AND ASSUME ALL RISK AND LIABILITY WHOSOEVER IN CONNECTION THEREWITH.

DRAWN BY:		DATE:	DRAWING TITLE:	
J.A.P.		9/4/96	Candelabra Screw Base Lamp Holder	
CHECKED BY:		DATE:	SIZE	DWG. NO.
J.C.		9/30/96	A	SPC21729
APPROVED BY:		DATE:	SCALE:	U.O.M.: INCHES
B.B.		9/30/96	NTS	
Tolerances Unless Otherwise Specified Fraction 1/64			ELECTRONIC FILE	REV
			16M1220.DWG	A
			SHEET: 1	OF 1

