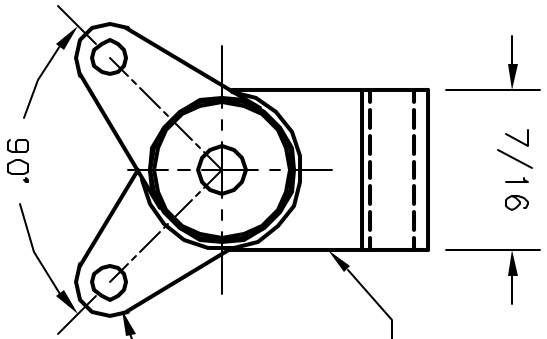


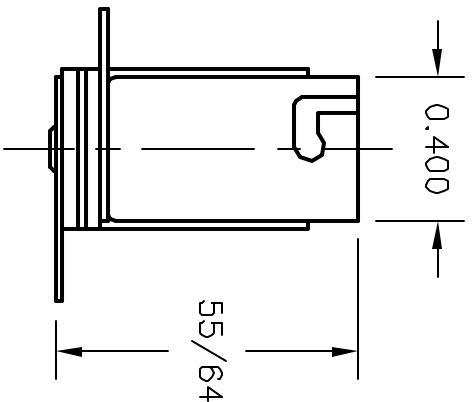
ALL RIGHTS RESERVED. NO PORTION OF THIS PUBLICATION, WHETHER IN WHOLE OR IN PART CAN BE REPRODUCED WITHOUT THE EXPRESS WRITTEN CONSENT OF SPC TECHNOLOGY.

REVISIONS				DOC. NO. SPC-F004	DATE: 12/21/08	DCP No. 800
DCP #	REV	DESCRIPTION	DRAWN	DATE	CHECKED	DATE
1848	A	RELEASED	JJM	09/29/08	JJM	09/29/08

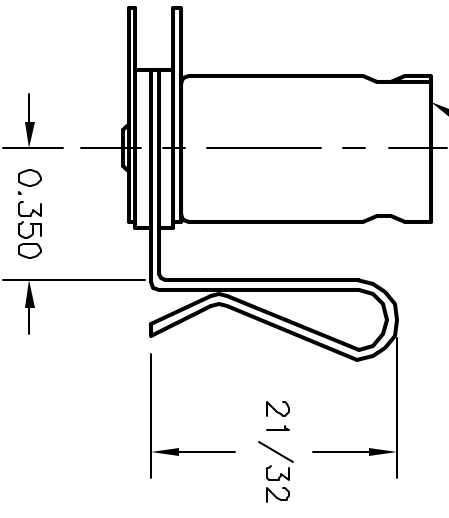


BRACKET: ZINC & CLEAR PLATED

SOLDER TERMINALS, ELECTRO TIN OVER COPPER FLASH



SHELL: ZINC & CLEAR PLATED



SPC-F004.DWG

ALL DIMENSIONS AND TOLERANCES UNLESS OTHERWISE SPECIFIED ARE IN INCHES. DIMENSIONS IN PARENTHESES INDICATE FRACTIONAL DIMENSIONS. DIMENSIONS IN PARENTHESES ARE THE PRECEDENCE. ALL DIMENSIONS ARE UNLESS OTHERWISE SPECIFIED.



DRAWING TITLE:		MINIATURE BAYONET BASE LAMPHOLDER WITH CLIP			
DRAWN BY:	DATE:	SIZE:	DWG. NO.:	ELECTRONIC FILE:	REV:
JASON NASH	09/29/08	A	SPC21728	16M1219.DWG	A
CHECKED BY:	DATE:	SCALE:	NTS	U.O.M.: INCHES	SHEET: 1 OF 1
JJM	09/29/08	A			
APPROVED BY:	DATE:				
JJM	09/29/08				

TOLERANCES UNLESS OTHERWISE SPECIFIED FRACTIONAL & 1/16 DECIMAL .XXX & .005 ANGULAR ±1°