



## Compaxx™ Series Flashing Lights

*PLC Compatible  
Type 4X*

### 114(†)FIN Series

#### FEATURES

- > NEMA Type 4X Enclosure
- > Two Mounting Configurations - Surface and Conduit
- > 12 inch (305mm) wire leads
- > Black Impact Resistant Polycarbonate ABS Blend Base
- > Five Lens Colors
- > Available in Quantity Packaging (6)

#### AGENCY APPROVALS

- > UL 1638 Listed
- > cUL Listed
- > UL Listed NEMA Type 4X

#### SPECIFICATIONS

- > 24V DC or 120V AC Operation

The Edwards 114 Series Flashing incandescent lights are designed for applications in industrial, commercial, and institutional applications where reliable and distinctive visual indication is required. The 114 Series is ideal for process control as well as vehicular applications such as tow motors.

Suitable for indoor or outdoor installation. When mounted outdoors the unit should be mounted with the lens facing up. Two mounting configurations are available:

- ~ The 114S, a surface mount version that utilizes a mounting gasket and locknut to provide a secure surface attachment and seal
- ~ The 114P, a pipe mount version for mounting on 1/2" (13mm) NPT conduit.

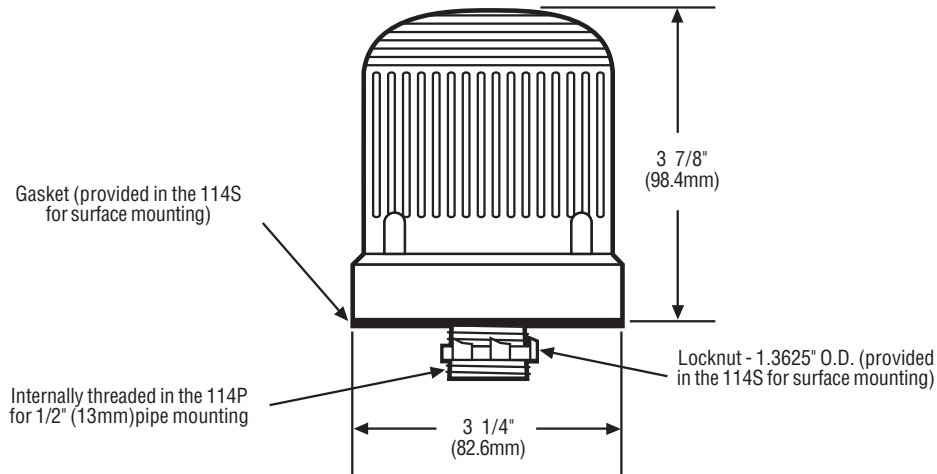
Edwards flashing lights are particularly effective in high noise areas where ear protection must be worn and audible signals may not be heard or understood. They can advise personnel in manufacturing, process control and warehouse areas when an operation is starting or stopping or a vehicle is moving. They are also often used to signal equipment malfunction and to warn personnel that they are entering restricted areas.

† Insert "S" for surface mount, "P" for pipe mount

D-04



## TECHNICAL INFORMATION



| Cat. No.     | Lens Color | Replacement Lens Cat. No. | Replacement Bulb | Bulb Wattage | Electrical Ratings | Mounting      |
|--------------|------------|---------------------------|------------------|--------------|--------------------|---------------|
| 114SFINA-G1* | Amber      | 104-LA                    | Industry Std.    | 15W          | 24V DC             | Surface       |
| 114SFINB-G1* | Blue       | 104-LB                    | 1692             |              | 0.610 Amps         | Surface       |
| 114SFINC-G1* | Clear      | 104-LC                    |                  |              |                    | Surface       |
| 114SFING-G1* | Green      | 104-LG                    |                  |              |                    | Surface       |
| 114SFINR-G1* | Red        | 104-LR                    |                  |              |                    | Surface       |
| 114SFINA-N5* | Amber      | 104-LA                    | Industry Std.    | 15W          | 120V AC            | Surface       |
| 114SFINB-N5* | Blue       | 104-LB                    | 1692             |              | 0.150 Amps         | Surface       |
| 114SFINC-N5* | Clear      | 104-LC                    |                  |              |                    | Surface       |
| 114SFING-N5* | Green      | 104-LG                    |                  |              |                    | Surface       |
| 114SFINR-N5* | Red        | 104-LR                    |                  |              |                    | Surface       |
| 114PFINA-G1* | Amber      | 104-LA                    | Industry Std.    | 15W          | 24V DC             | 1/2" NPT Pipe |
| 114PFINB-G1* | Blue       | 104-LB                    | 15T7DC           |              | 0.610 Amps         | 1/2" NPT Pipe |
| 114PFINC-G1* | Clear      | 104-LC                    |                  |              |                    | 1/2" NPT Pipe |
| 114PFING-G1* | Green      | 104-LG                    |                  |              |                    | 1/2" NPT Pipe |
| 114PFINR-G1* | Red        | 104-LR                    |                  |              |                    | 1/2" NPT Pipe |
| 114PFINA-N5* | Amber      | 104-LA                    | Industry Std.    | 15W          | 120V AC            | 1/2" NPT Pipe |
| 114PFINB-N5* | Blue       | 104-LB                    | 15T7DC           |              | 0.150 Amps         | 1/2" NPT Pipe |
| 114PFINC-N5* | Clear      | 104-LC                    |                  |              |                    | 1/2" NPT Pipe |
| 114PFING-N5* | Green      | 104-LG                    |                  |              |                    | 1/2" NPT Pipe |
| 114PFINR-N5* | Red        | 104-LR                    |                  |              |                    | 1/2" NPT Pipe |

\* For package quantities of 6 strobes add \*-6" to the catalog number. e.g. 114SFING-G1-6

## SIGNAL INPUT LOAD CHARACTERISTICS\*\*

| Cat. No.        | Operating Voltage | Max. off state leakage current (mA) | Continuous on Current (mA) | Surge Current               |
|-----------------|-------------------|-------------------------------------|----------------------------|-----------------------------|
| 114(-)G1 Series | 24V DC            | 25                                  | 25                         | 7A Exponentially Decaying   |
| 114(-)N5 Series | 120V AC           | 25                                  | 25                         | 0.8A Exponentially Decaying |

\*\*This device is PLC compatible and may be operated by PLCs with output characteristics that match the input load requirements of this signal.

© Copyright 2004 Edwards



90 Fieldstone Court | Cheshire, CT 06410  
 Ph: 203.699.3300 | Fx: 203.699.3108  
[www.edwards-signals.com](http://www.edwards-signals.com)

D-04

3-109