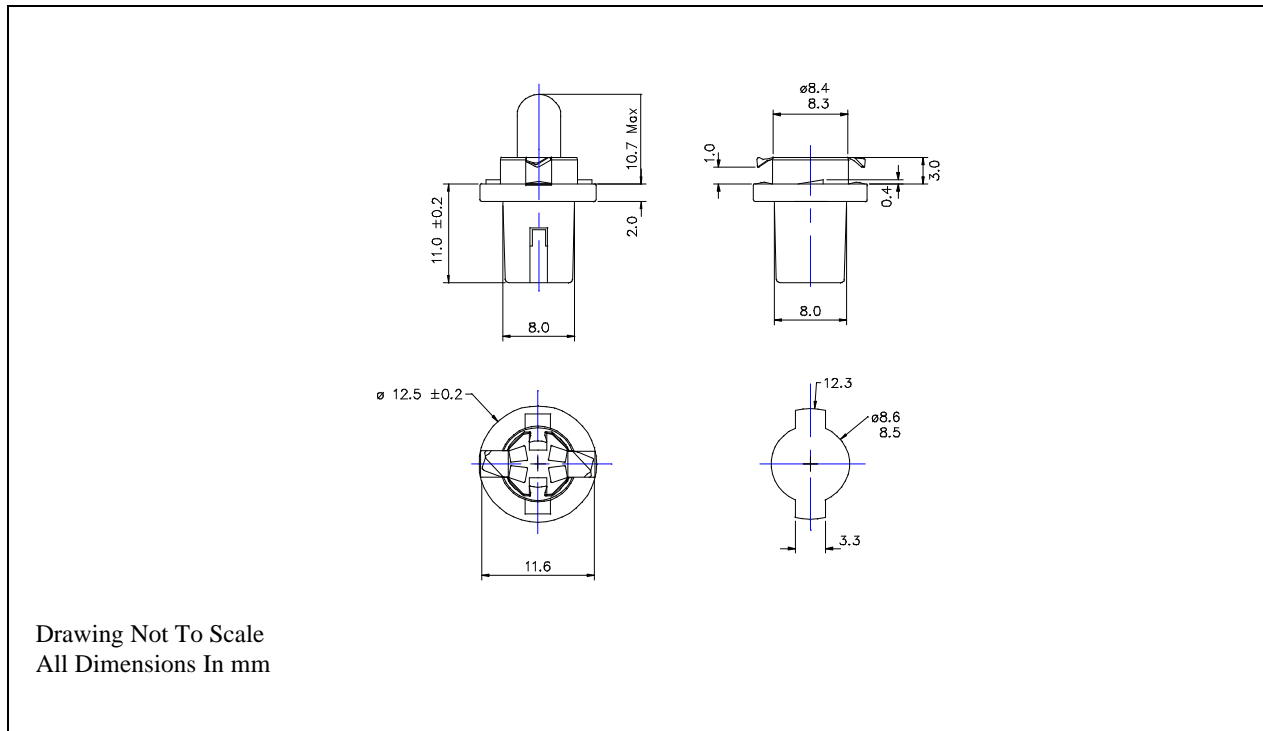


Type	Description	SLI Part No.	Farnell P/No.
Twistlock Lampholder	T-1½(5mm) Wedgebase Socket - double sided	TR4000	527038



Moulding:	Thermoplastic PA66 + 20% glass fibre.
Moulding Colour:	TR4000 - Black. TR4066 - Grey
Contact Material:	Electroplated spring steel.

NOTES:

- 1) Circuit Board Thickness: 1.6 ± 0.1mm.