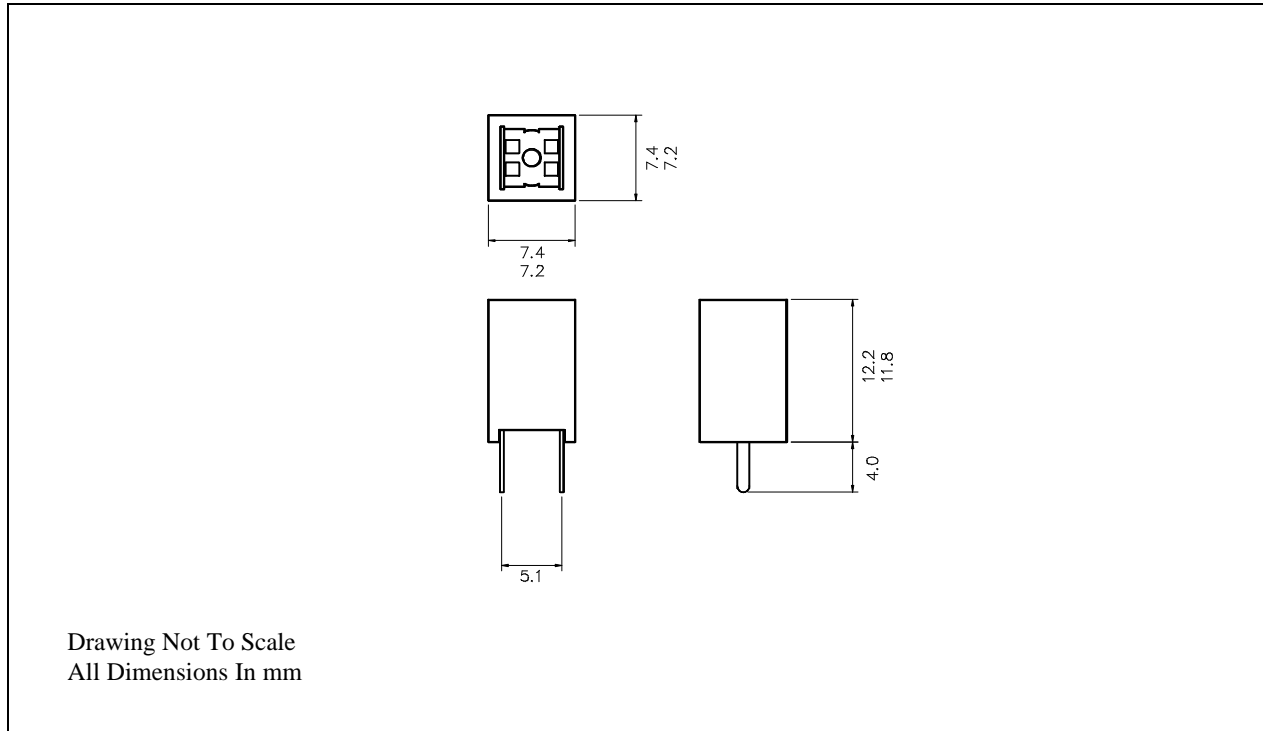


Type	Description	SLI Part No.	Farnell P/No.
Lampholder (W2 x 4.6d)	T-1½(5mm) Wedgebase Socket	LH3	527099



MATERIALS

Moulding:	Polycarbonate
Moulding colour:	Black.
Contacts:	Tin-plated Spring Bronze.

NOTES:

- 1) Lamp contacts in accordance with BS EN 60061-2, sheet 7005-94-x.
- 2) Suitable for operation up to 60V ac or dc.
- 3) Lampholder fixing by soldering direct onto circuit board by contact pins.
- 4) Connection method by rectangular soldering pins (0.3 x 1.0 x 4mm).