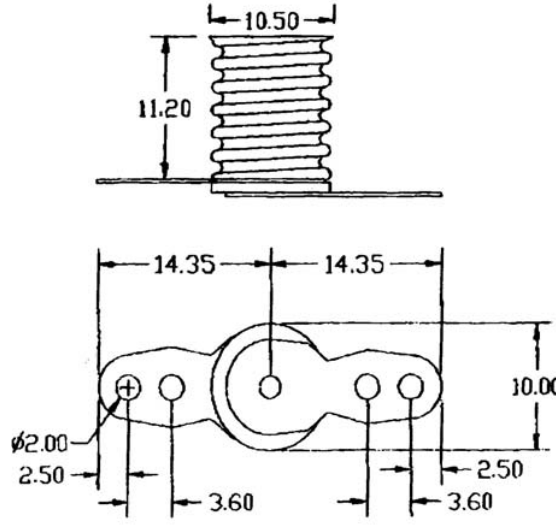


**PRODUCT
DATA SHEET**

Type	Size	Rating	Description	Part No.
Lampholder	E10		MES Lampholder with solder tags	LH14



Dimensions in mm

Not to scale

NOTES:

- 1 Shell : Nickel plated brass
- 2 Insulator : Phenolic resin

Issue No.	Date	C.N. No.	Drawn	Tech	QA	M & P	Sales
2	17/04/02	-	BCW	Approved			