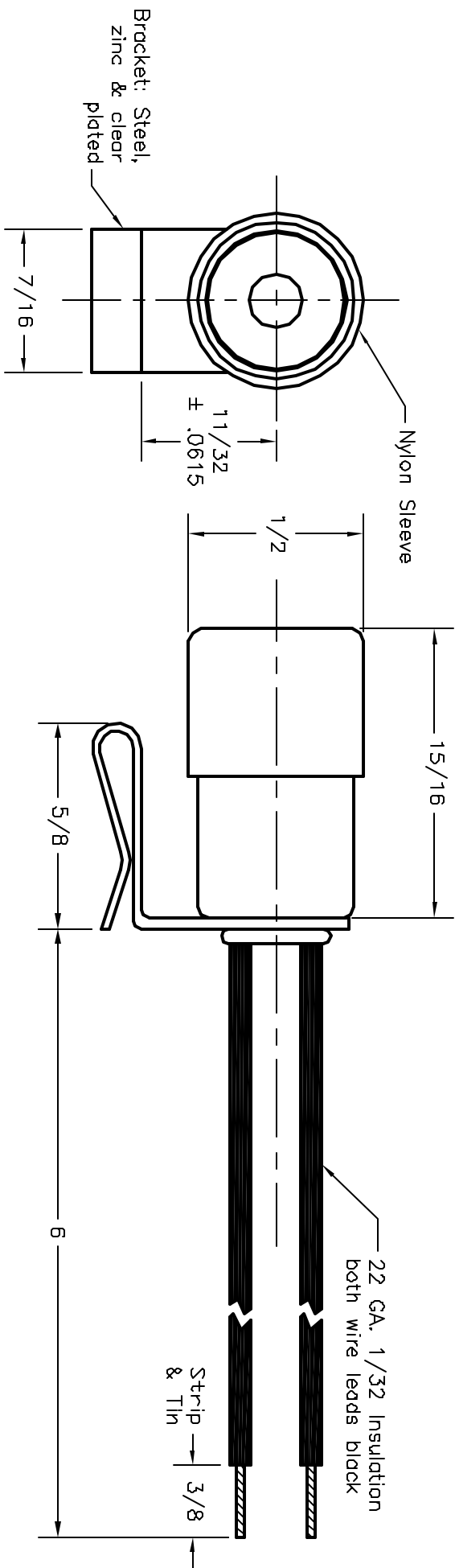


ALL RIGHTS RESERVED. NO PORTION OF THIS PUBLICATION, WHETHER IN WHOLE OR IN PART CAN BE REPRODUCED WITHOUT THE EXPRESS WRITTEN CONSENT OF SPC TECHNOLOGY.

REVISIONS		DOC. NO.	DATE	CHECKED	DATE	APPROVED	DATE
DOP #	REV	DESCRIPTION	DRAWN	DATE	CHECKED	DATE	APPROVED
1948	A	RELEASED	JIN	09/29/08	JWM	09/29/08	JWM



DISCLAIMER:
 ALL STATEMENTS AND TECHNICAL INFORMATION CONTAINED HEREIN ARE BASED UPON INFORMATION AND/OR TESTS WE BELIEVE TO BE ACCURATE AND RELIABLE. SINCE CONDITIONS OF USE ARE BEYOND OUR CONTROL, THE USER SHALL DETERMINE THE SUITABILITY OF THE PRODUCT FOR THE INTENDED USE AND ASSUME ALL RISK AND LIABILITY WHATSOEVER IN CONNECTION THEREWITH.

SPC TECHNOLOGY

Tolerances Unless Otherwise Specified Fractional $\pm 1/64$

DRAWN BY: Jason Nash
 CHECKED BY: JWM
 APPROVED BY: JWM

DATE: 09/29/08
 DATE: 09/29/08
 DATE: 09/29/08

DRAWING TITLE: Insulated Miniature Bayonet Lampholder

SIZE: A
 DWG. NO.: SPC21764
 SCALE: NTS

ELECTRONIC FILE: 16M1255.DWG
 SHEET: 1 OF 1