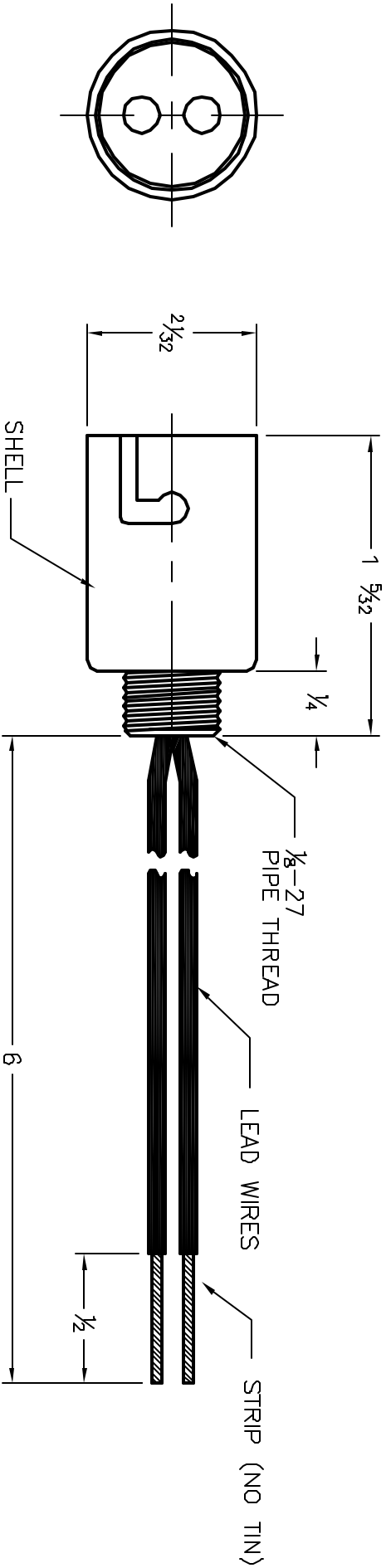


ALL RIGHTS RESERVED. NO PORTION OF THIS PUBLICATION, WHETHER IN WHOLE OR IN PART CAN BE REPRODUCED WITHOUT THE EXPRESS WRITTEN CONSENT OF SPC TECHNOLOGY.

REVISIONS		DOC. NO. SPC-F005	Effective 12/21/98	DCP No. B90				
DCP #	REV	DESCRIPTION	DRAWN	DATE	CHECKD	DATE	APPRVD	DATE
1948	A	RELEASED	J.A.P.	8/27/96	J.C.	9/23/98	B.B.	9/30/98



- NOTES:**
1. LEAD WIRES: 18 GA BLACK (2)
  2. SHELL MATERIAL: STEEL, ZINC & CLEAR PLATED
  3. TYPE: DOUBLE CONTACT, CANDELABRA BAYONET (SUPPLIED WITH NUT & LOCKWASHER)

**DISCLAIMER:**  
 ALL STATEMENTS AND TECHNICAL INFORMATION CONTAINED HEREIN ARE BASED UPON INFORMATION AND/OR TESTS WE BELIEVE TO BE ACCURATE AND RELIABLE. SINCE CONDITIONS OF USE ARE BEYOND OUR CONTROL, THE USER SHALL DETERMINE THE SUITABILITY OF THE PRODUCT FOR THE INTENDED USE AND ASSUME ALL RISK AND LIABILITY WHATSOEVER IN CONNECTION THEREWITH.

**SPC TECHNOLOGY**

DRAWING TITLE: **Candelabra Bayonet Base Lamp Holder w/ 2 Leads**

DRAWN BY: J.A.P. DATE: 8/27/96

CHECKED BY: J.C. DATE: 9/23/96

APPROVED BY: B.B. DATE: 9/30/96

SIZE: A DWG. NO.: SPC21743

SCALE: NTS U.O.M.: INCHES

ELECTRONIC FILE: 16M1234.DWG

REV: A

SHEET: 1 OF 1