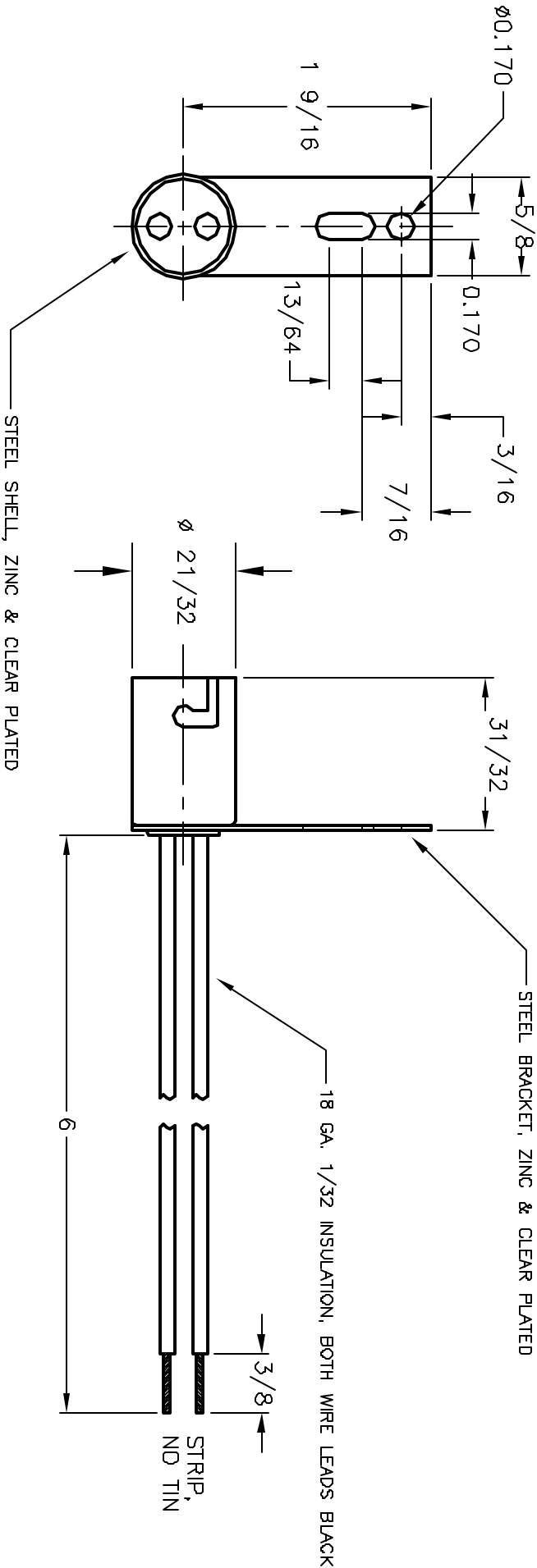


ALL RIGHTS RESERVED. NO PORTION OF THIS PUBLICATION, WHETHER IN WHOLE OR IN PART CAN BE REPRODUCED WITHOUT THE EXPRESS WRITTEN CONSENT OF SPC TECHNOLOGY.

REVISIONS		DOC. NO. SPC-F005	DATE	BY	DATE	BY
DOP #	REV	DESCRIPTION	DRAWN	DATE	CHECKED	DATE
1948	A	RELEASED	DJC	12/15/98	JC	12/19/98
					JWM	1/7/99



DISCLAIMER:
 ALL STATEMENTS AND TECHNICAL INFORMATION CONTAINED HEREIN ARE BASED UPON INFORMATION AND/OR TESTS WE BELIEVE TO BE ACCURATE AND RELIABLE. SINCE CONDITIONS OF USE ARE BEYOND OUR CONTROL, THE USER SHALL DETERMINE THE SUITABILITY OF THE PRODUCT FOR THE INTENDED USE AND ASSUME ALL RISK AND LIABILITY WHATSOEVER IN CONNECTION THEREWITH.

SPC TECHNOLOGY

TOLERANCES UNLESS OTHERWISE SPECIFIED:
 FRACTIONAL: ±1/64
 DECIMAL: .XXX ±005
 ANGULAR: ±1'

DRAWN BY: DANIEL CAREY
CHECKED BY: JOHN COLE
APPROVED BY: JEFF MCVICKER

DATE: 12/15/98
DATE: 12/18/98
DATE: 1/7/99

DRAWING TITLE:
 DOUBLE CONTACT CANDLEBRA BAYONET LAMPHOLDER, WIRE LEADS

SIZE: A
DWG. NO.: SPC21742
SCALE: NTS

ELECTRONIC FILE: 16M1233.DWG
REV: A

SHEET: 1 OF 1