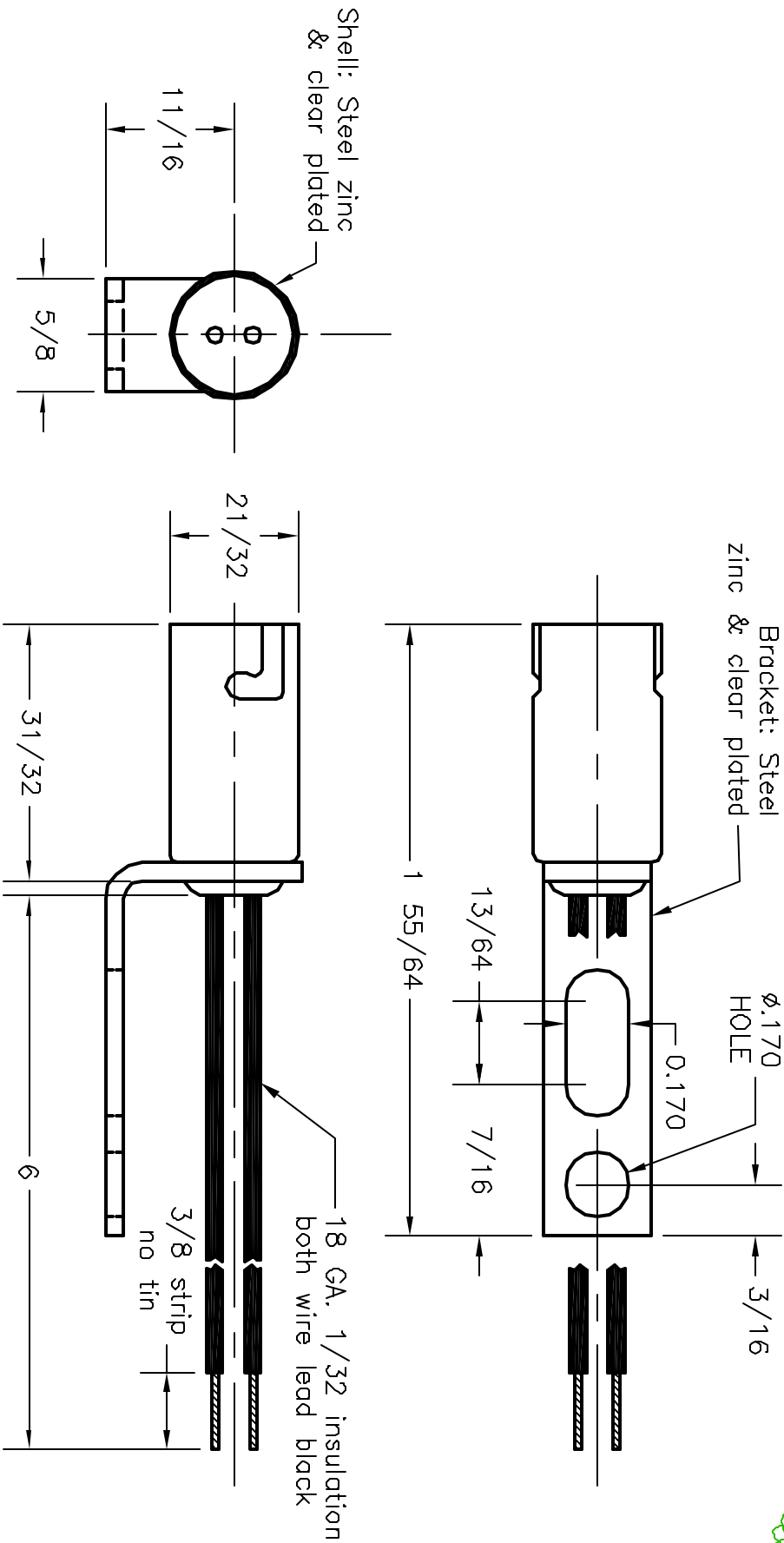


ALL RIGHTS RESERVED. NO PORTION OF THIS PUBLICATION, WHETHER IN WHOLE OR IN PART CAN BE REPRODUCED WITHOUT THE EXPRESS WRITTEN CONSENT OF SPC TECHNOLOGY.

REVISONS		DOC. NO. SPC-F005	Effective 12/21/08	DCP No. 890				
DCP #	REV	DESCRIPTION	DRAWN	DATE	CHECKED	DATE	APPRVD	DATE
1948	A	RELEASED	JIN	09/29/08	JWM	09/29/08	JWM	09/29/08



DISCLAIMER:
ALL STATEMENTS AND TECHNICAL INFORMATION CONTAINED HEREIN ARE BASED UPON INFORMATION AND/OR TESTS WE BELIEVE TO BE ACCURATE AND RELIABLE. SINCE CONDITIONS OF USE ARE BEYOND OUR CONTROL, THE USER SHALL DETERMINE THE SUITABILITY OF THE PRODUCT FOR THE INTENDED USE AND ASSUME ALL RISK AND LIABILITY WHOSOEVER IN CONNECTION THEREWITH.



Tolerances Unless Otherwise Specified

Fractional 1/64

Decimal

.XXX .005

DRAWN BY:	DATE:
Jason Nash	09/29/08
CHECKED BY:	DATE:
JWM	09/29/08
APPROVED BY:	DATE:
JWM	09/29/08

DRAWING TITLE:

Double Contact Condelabra Bayonet Lampholder

SIZE DWG. NO.

A SPC21740

ELECTRONIC FILE

16M1231.DWG

REV A

SCALE: NTS

U.O.M.: INCHES

SHEET: 1 OF 1

SPC-F005.DWG