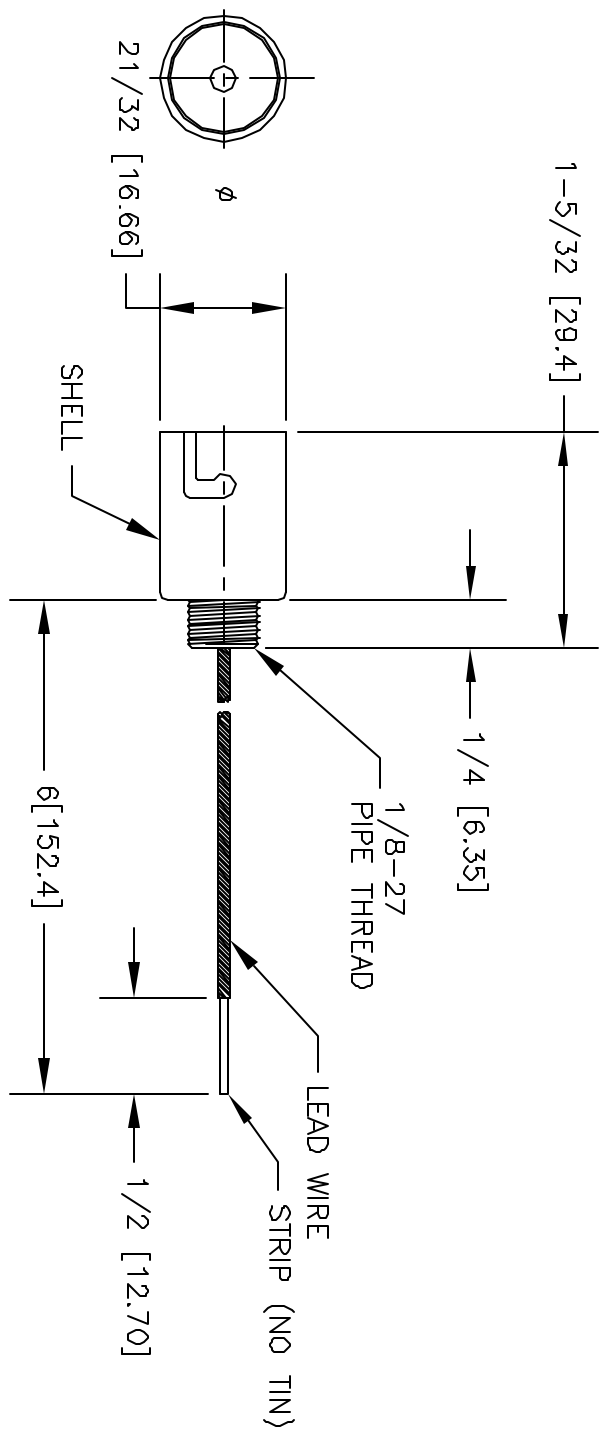


© COPYRIGHT 1997 BY SPC TECHNOLOGY. ALL RIGHTS RESERVED. NO PORTION OF THIS PUBLICATION, WHETHER IN WHOLE OR IN PART CAN BE REPRODUCED WITHOUT THE EXPRESS WRITTEN CONSENT OF SPC TECHNOLOGY.

REVISIONS		DOC. NO. SPC-FR005, Total Pages: 2	Effective: 3/2/97, DCP No. 103	Supersedes DCP No. 97				
DCP #	REV	DESCRIPTION	DRAWN	DATE	CHECKD	DATE	APPRVD	DATE
1948	A	Released	D.J.C.	3-31-97	J.C.	3-31-97	J.C.	3-31-97



NOTES:

1. LEAD WIRE: 18 GA BLACK (1)
2. SHELL: MATERIAL: STEEL, ZINC & CLEAR PLATED
3. TYPE: SINGLE CONTACT, CANDELABRA BAYONET

NOTES:

1. PART TO BE FREE OF DUST, GREASE AND FOREIGN MATTER.
2. PART TO BE COMMERCIALY FREE OF BURRS AND SHARP EDGES.

DISCLAIMER:
ALL STATEMENTS AND TECHNICAL INFORMATION CONTAINED HEREIN ARE BASED UPON INFORMATION AND/OR TESTS WE BELIEVE TO BE ACCURATE AND RELIABLE. SINCE CONDITIONS OF USE ARE BEYOND OUR CONTROL, THE USER SHALL DETERMINE THE SUITABILITY OF THE PRODUCT FOR THE INTENDED USE AND ASSUME ALL RISK AND LIABILITY WHOSOEVER IN CONNECTION THEREWITH.



TOLERANCES UNLESS OTHERWISE SPECIFIED:		DRAWING TITLE:	
FRACTIONAL: ±1/64	DATE: 8-27-96	CANDELABRA BAYONET BASE LAMPHOLDER WITH (1) LEAD	
3 PLACES: ±.005	CHECKED BY: JOHN COLE	SIZE DWG. NO.:	CAD FILE
ANGULAR: ±1°	DATE: 9-23-96	A	SPC21739
	APPROVED BY: BRETT BRAATZ	SCALE: NTS	U.O.M.: INCHES [mm]
	DATE: 9-30-96		SHEET: 1 OF 1

SPC-FR005.DWG