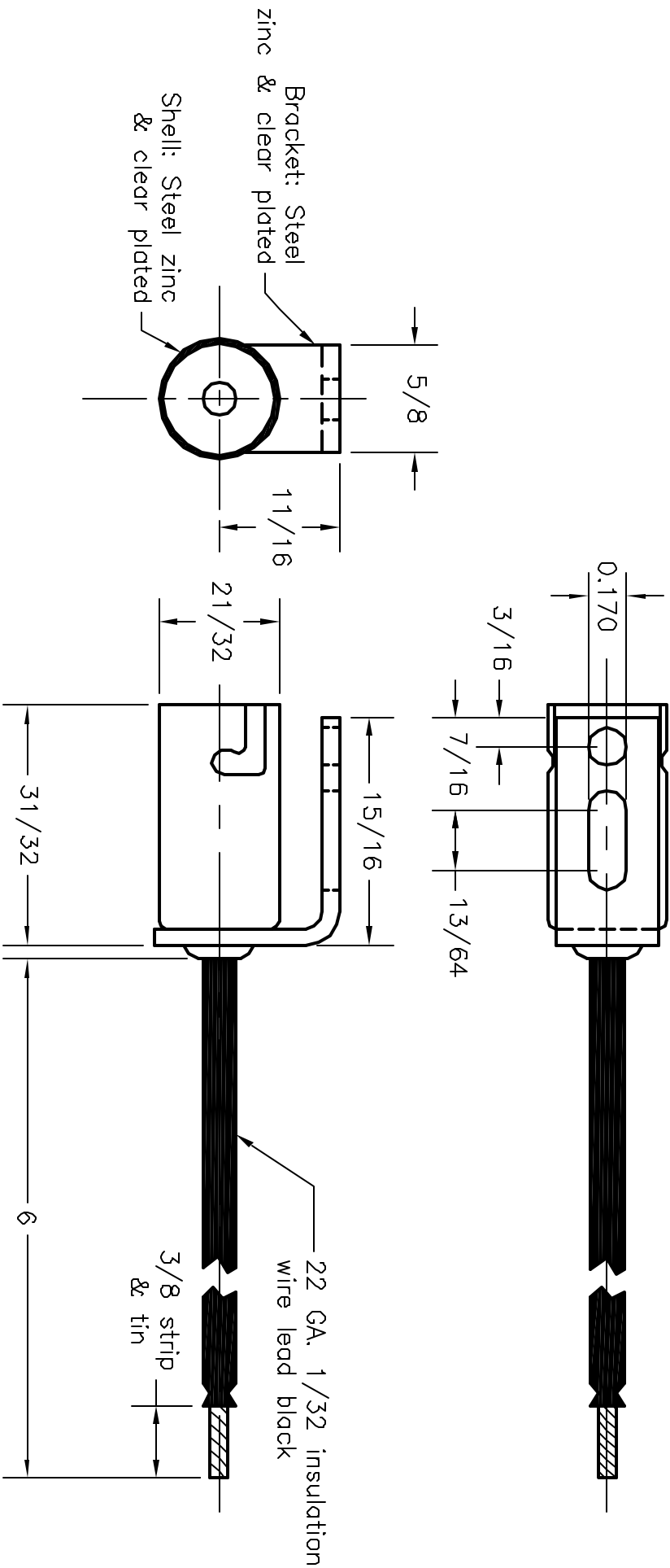


ALL RIGHTS RESERVED. NO PORTION OF THIS PUBLICATION, WHETHER IN WHOLE OR IN PART CAN BE REPRODUCED WITHOUT THE EXPRESS WRITTEN CONSENT OF SPC TECHNOLOGY.

REVISONS		DOC. NO. SPC-F005	Effective 12/21/08	DCP No 890				
DCP #	REV	DESCRIPTION	DRAWN	DATE	CHECKED	DATE	APPRVD	DATE
1948	A	RELEASED	JIN	09/29/08	JWM	09/29/08	JWM	09/29/08



DISCLAIMER:
ALL STATEMENTS AND TECHNICAL INFORMATION CONTAINED HEREIN ARE BASED UPON INFORMATION AND/OR TESTS WE BELIEVE TO BE ACCURATE AND RELIABLE. SINCE CONDITIONS OF USE ARE BEYOND OUR CONTROL, THE USER SHALL DETERMINE THE SUITABILITY OF THE PRODUCT FOR THE INTENDED USE AND ASSUME ALL RISK AND LIABILITY WHOSOEVER IN CONNECTION THEREWITH.



Tolerances Unless Otherwise Specified	
Fractional 1/64	Decimal .XXX .005
DRAWN BY: Jason Nash	DATE: 09/29/08
CHECKED BY: JWM	DATE: 09/29/08
APPROVED BY: JWM	DATE: 09/29/08

DRAWING TITLE: Single Contact Candelabra Bayonet Lampholder		SCALE: NTS		U.O.M.: INCHES		SHEET: 1 OF 1	
SIZE DWG. NO. A	SPC21737	ELECTRONIC FILE	16M1228.DWG	REV	A		