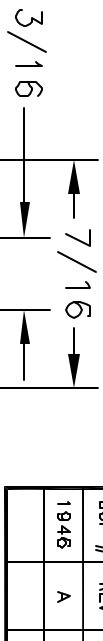
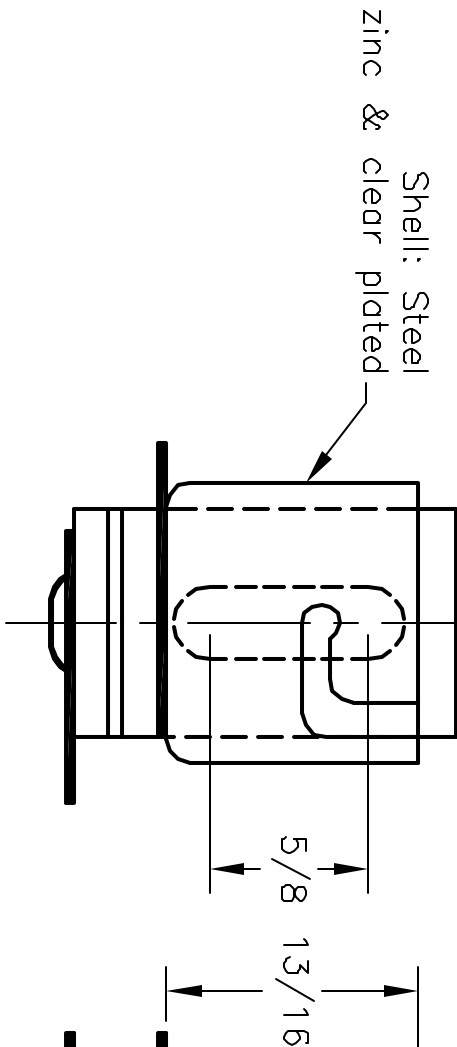
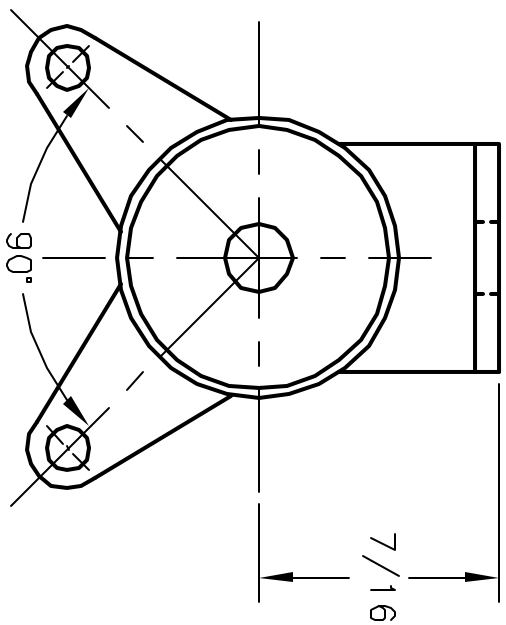


ALL RIGHTS RESERVED. NO PORTION OF THIS PUBLICATION, WHETHER IN WHOLE OR IN PART CAN BE REPRODUCED WITHOUT THE EXPRESS WRITTEN CONSENT OF SPC TECHNOLOGY.



REVISONS		DOC. NO. SPC-F005	Effective: 12/21/98	DCP No: B90				
DCP #	REV	DESCRIPTION	DRAWN	DATE	CHECKD	DATE	APPRVD	DATE
1948	A	RELEASED	HYD	2/16/00	JC	2/2/00	DJC	2/25/00



DISCLAIMER:
 ALL STATEMENTS AND TECHNICAL INFORMATION CONTAINED HEREIN ARE BASED UPON INFORMATION AND/OR TESTS WE BELIEVE TO BE ACCURATE AND RELIABLE. SINCE CONDITIONS OF USE ARE BEYOND OUR CONTROL, THE USER SHALL DETERMINE THE SUITABILITY OF THE PRODUCT FOR THE INTENDED USE AND ASSUME ALL RISK AND LIABILITY WHATSOEVER IN CONNECTION THEREWITH.

SPC TECHNOLOGY

Tolerances Unless Otherwise Specified
 Fractional ± 1/64
 Angular ± 1°

DRAWN BY: HISHAM ODISH
CHECKED BY: JOHN COLE
APPROVED BY: DANIEL CAREY

DATE: 2/16/00
DATE: 2/2/00
DATE: 2/25/00

DRAWING TITLE: Single Contact Candelabra Bayonet Lampholder

SIZE: A
DWG. NO.: SPC21734
ELECTRONIC FILE: 16M1225.DWG

SCALE: NTS
U.O.M.: INCHES

SHEET: 1 OF 1