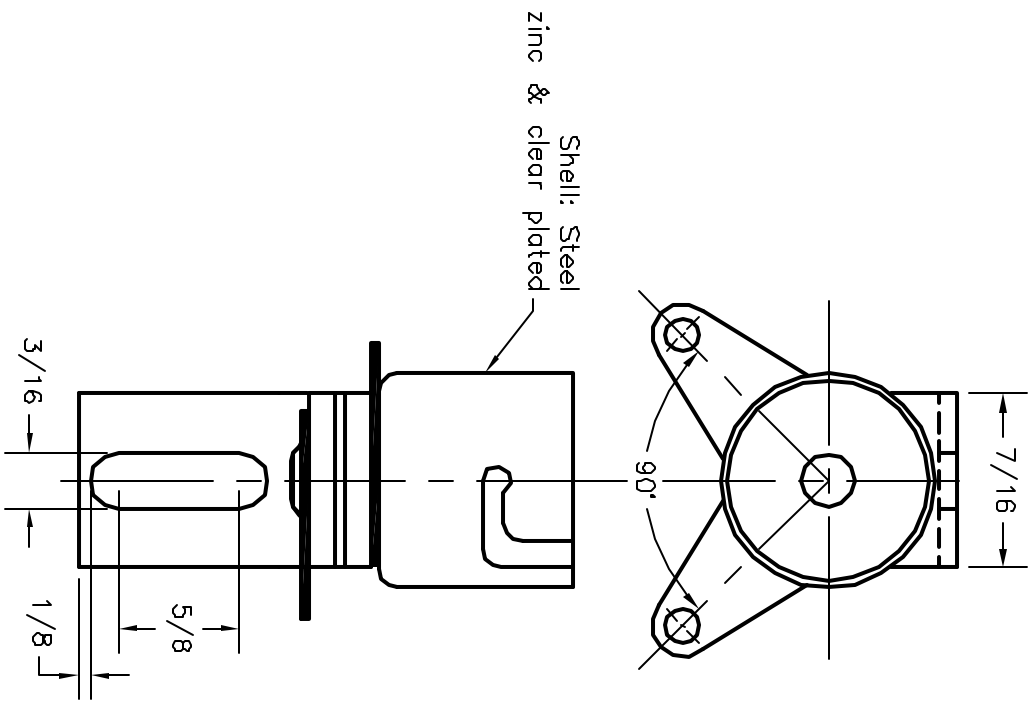


ALL RIGHTS RESERVED. NO PORTION OF THIS PUBLICATION, WHETHER IN WHOLE OR IN PART CAN BE REPRODUCED WITHOUT THE EXPRESS WRITTEN CONSENT OF SPC TECHNOLOGY.

REVISIONS		DOC. NO.	SPC-F005	Effective	12/21/98	Doc No	890	
DGP #	REV	DESCRIPTION	DRAWN	DATE	CHECKD	DATE	APPRVD	DATE
1948	A	RELEASED	HYD	2/16/00	JC	2/25/00	DJC	4/5/00



**DISCLAIMER:**  
 ALL STATEMENTS AND TECHNICAL INFORMATION CONTAINED HEREIN ARE BASED UPON INFORMATION AND/OR TESTS WE BELIEVE TO BE ACCURATE AND RELIABLE. SINCE CONDITIONS OF USE ARE BEYOND OUR CONTROL, THE USER SHALL DETERMINE THE SUITABILITY OF THE PRODUCT FOR THE INTENDED USE AND ASSUME ALL RISK AND LIABILITY WHATSOEVER IN CONNECTION THEREWITH.

**SPC TECHNOLOGY**

Tolerances Unless Otherwise Specified  
 Fractional ± 1/64  
 Angular ± 1°

DRAWING TITLE: **Single Contact Candelabra Bayonet Lampholder**

DRAWN BY: HISHAM ODISH DATE: 2/16/00  
 CHECKED BY: JOHN COLE DATE: 2/25/00  
 APPROVED BY: DANIEL CAREY DATE: 4/5/00

SIZE DWG. NO. **A** SPC21733 ELECTRONIC FILE 16M1224.DWG REV A

SCALE: NTS U.O.M.: INCHES SHEET: 1 OF 1