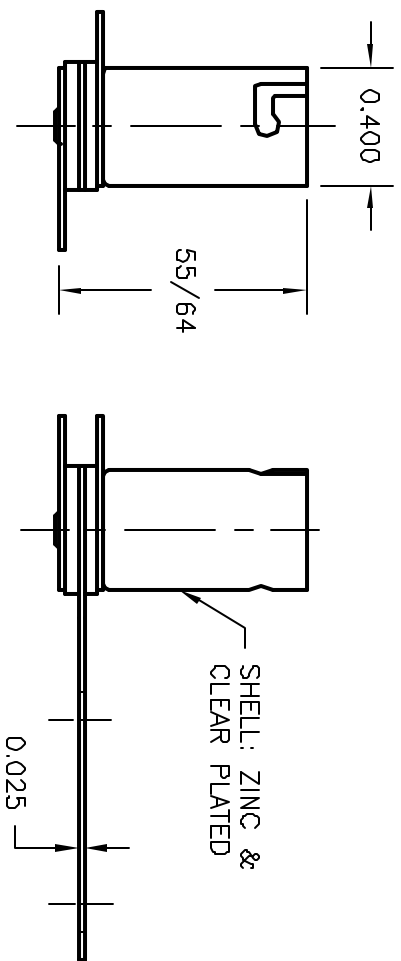
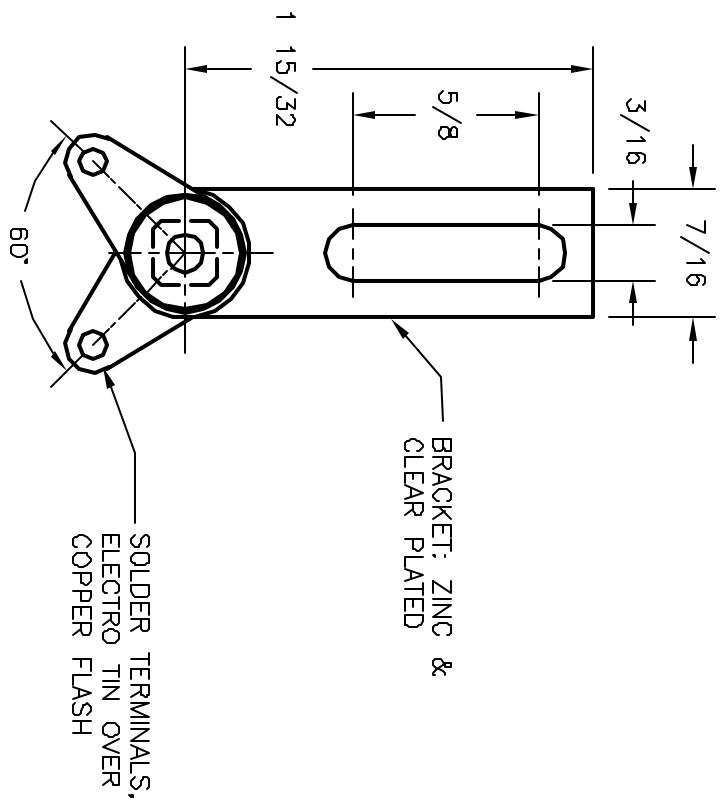


ALL RIGHTS RESERVED. NO PORTION OF THIS PUBLICATION, WHETHER IN WHOLE OR IN PART CAN BE REPRODUCED WITHOUT THE EXPRESS WRITTEN CONSENT OF SPC TECHNOLOGY.

REVISIONS		DCD. NO.	DATE	CHECKED	DATE	APPROV	DATE
DCP #	REV	DESCRIPTION	DRAWN	DATE	CHECKED	DATE	DATE
1848	A	RELEASED	JIN	09/29/08	JMM	09/29/08	JMM



SPC TECHNOLOGY

DRAWING TITLE:		INSULATED MINIATURE BAYONET BASE LAMPHOLDER	
DRAWN BY:	DATE:	SIZE:	DWG. NO.
JASON NASH	09/29/08	A	SPC21727
CHECKED BY:	DATE:	ELECTRONIC FILE	REV
JMM	09/29/08	16M1218.DWG	A
APPROVED BY:	DATE:	SCALE:	NTS
JMM	09/29/08	U.S.M.: INCHES	SHEET: 1 OF 1