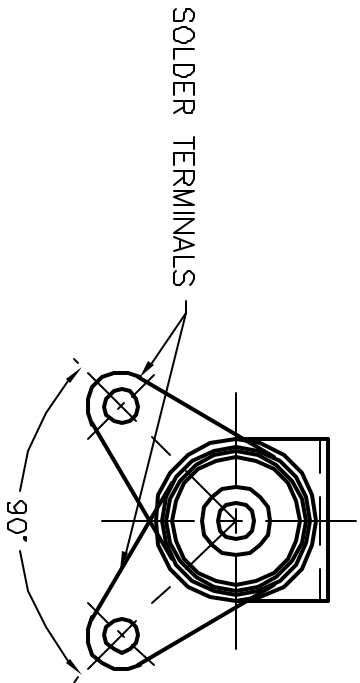
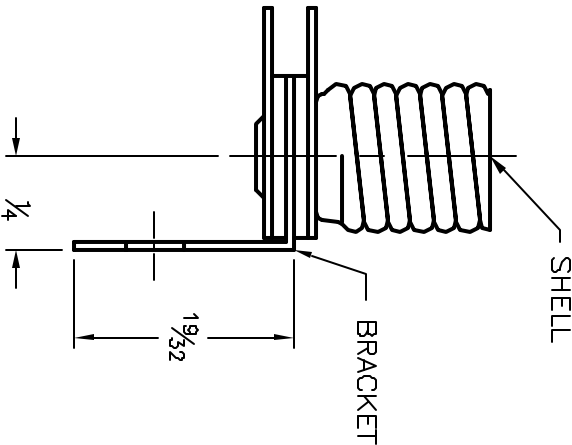
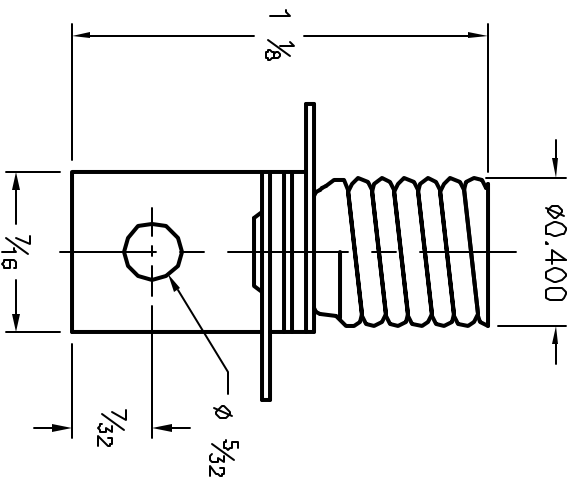


ALL RIGHTS RESERVED. NO PORTION OF THIS PUBLICATION, WHETHER IN WHOLE OR IN PART CAN BE REPRODUCED WITHOUT THE EXPRESS WRITTEN CONSENT OF SPC TECHNOLOGY.



- NOTES:**
1. SHELL MATERIAL: BRASS & CLEAR PLATED
  2. TERMINALS MATERIAL: STEEL, ZINC & CLEAR PLATED
  3. TYPE: SINGLE CONTACT, SCREW BASE WITH (2) SOLDER TERMINALS



REVISIONS		DOC. NO. SPC-F005	Effective 12/21/98	DCP No 890				
DCP #	REV	DESCRIPTION	DRAWN	DATE	CHECKD	DATE	APPRVD	DATE
1948	A	RELEASED	J.A.P.	9/8/98	J.C	9/30/98	B.B.	9/30/98



**DISCLAIMER:**  
 ALL STATEMENTS AND TECHNICAL INFORMATION CONTAINED HEREIN ARE BASED UPON INFORMATION AND/OR TESTS WE BELIEVE TO BE ACCURATE AND RELIABLE. SINCE CONDITIONS OF USE ARE BEYOND OUR CONTROL, THE USER SHALL DETERMINE THE SUITABILITY OF THE PRODUCT FOR THE INTENDED USE AND ASSUME ALL RISK AND LIABILITY WHOSOEVER IN CONNECTION THEREWITH.

**SPC TECHNOLOGY**

Miniature Screw Base Lamp Holder

DRAWN BY:	J.A.P.	DATE:	9/9/96
CHECKED BY:	J.C.	DATE:	9/30/96
APPROVED BY:	B.B.	DATE:	9/30/96

Tolerances Unless Otherwise Specified  
 Fraction  $\frac{1}{64}$   
 Decimals  
 .XXX ± 0.005

DRAWING TITLE:		SIZE	DWG. NO.	ELECTRONIC FILE	REV
Miniature Screw Base Lamp Holder		A	SPC21718	16M1209.DWG	A
SCALE:	NTS	U.O.M.: INCHES		SHEET:	1 OF 1