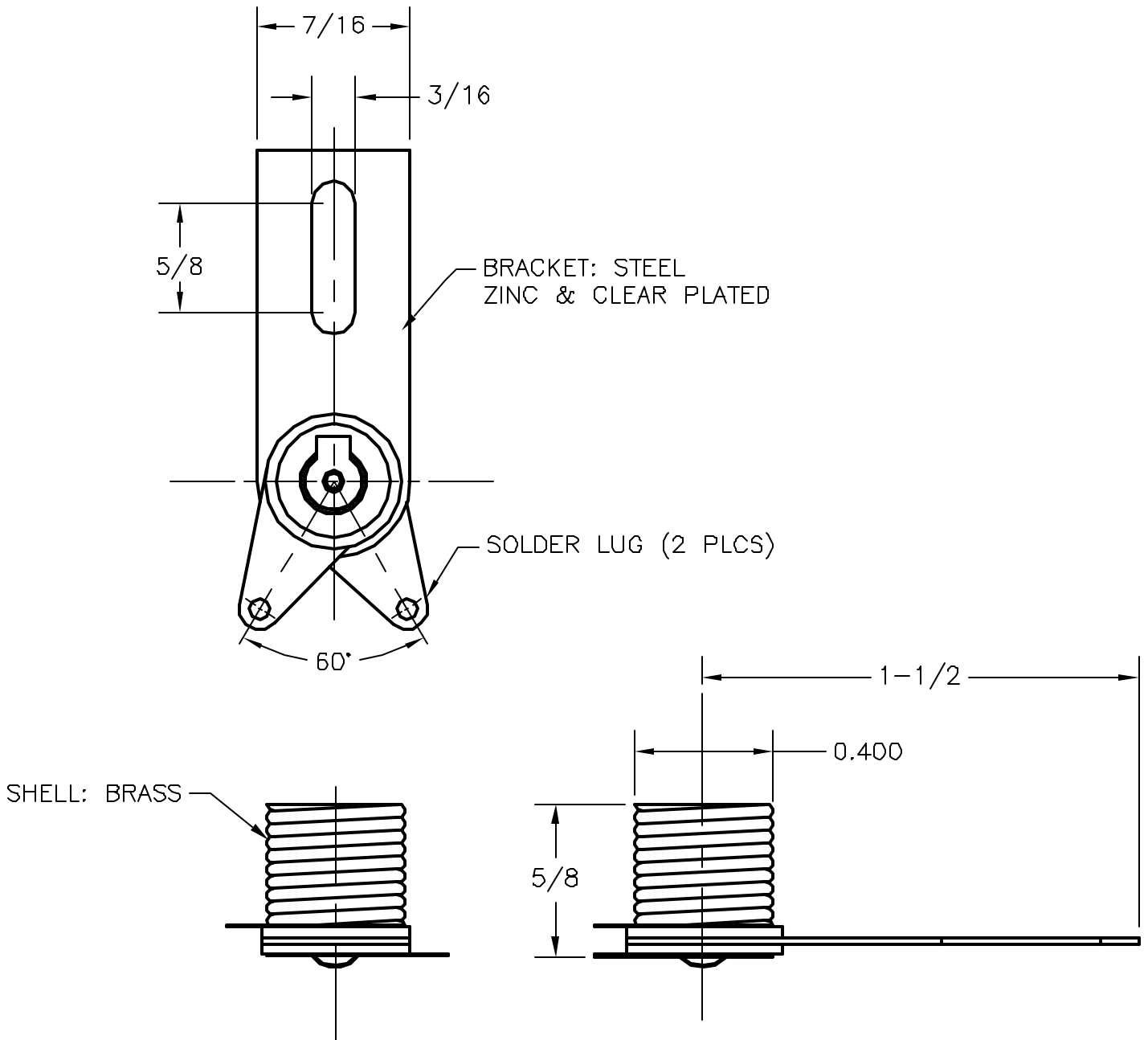


ALL RIGHTS RESERVED. NO PORTION OF THIS PUBLICATION, WHETHER IN WHOLE OR IN PART CAN BE REPRODUCED WITHOUT THE EXPRESS WRITTEN CONSENT OF SPC TECHNOLOGY.

REVISIONS			DDC. NO. SPC-F004 * Effective: 12/21/98 * DCP No: 680					
DCP #	REV	DESCRIPTION	DRAWN	DATE	CHECKD	DATE	APPRVD	DATE
1946	A	RELEASED	HYD	1/31/00	JC	2/29/00	DJC	4/5/00



SPC-F004.DWG

DISCLAIMER:
ALL STATEMENTS AND TECHNICAL INFORMATION CONTAINED HEREIN ARE BASED UPON INFORMATION AND/OR TESTS WE BELIEVE TO BE ACCURATE AND RELIABLE. SINCE CONDITIONS OF USE ARE BEYOND OUR CONTROL, THE USER SHALL DETERMINE THE SUITABILITY OF THE PRODUCT FOR THE INTENDED USE AND ASSUME ALL RISK AND LIABILITY WHATSOEVER IN CONNECTION THEREWITH.



SPC TECHNOLOGY

DRAWING TITLE:
Miniature Screw Base Lampholder

Tolerance Unless
Otherwise Specified
Fractional $\pm 1/64$
Decimal $.XXX \pm .005$
Angular $\pm 1^\circ$

DRAWN BY:	DATE:
HISHAM QDISH	1/31/00
CHECKED BY:	DATE:
JOHN COLE	2/29/00
APPROVED BY:	DATE:
DANIEL CAREY	4/5/00

SIZE	DWG. NO.	ELECTRONIC FILE	REV
A	SPC21717	16M1208.DWG	A
SCALE: NTS	U.O.M.: INCHES	SHEET: 1 OF 1	