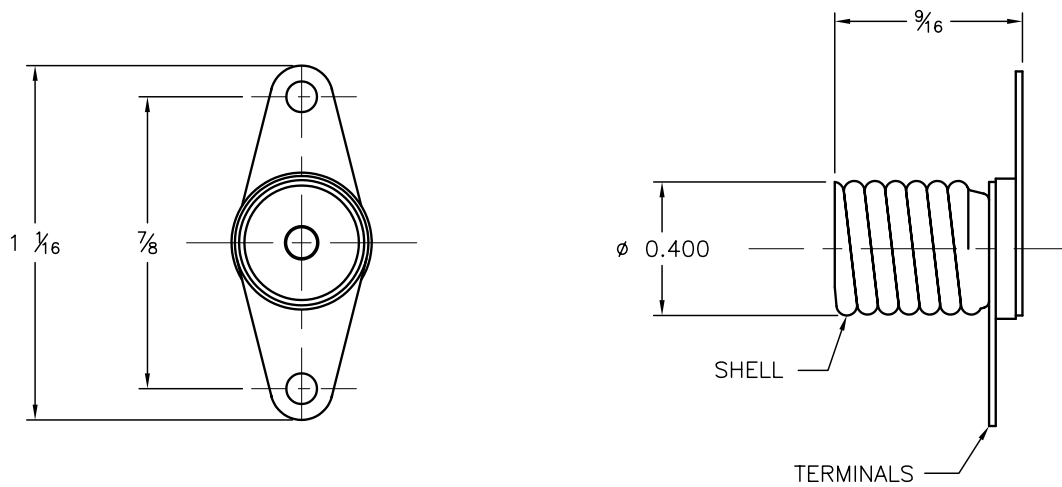


© COPYRIGHT 1998 BY SPC TECHNOLOGY. ALL RIGHTS RESERVED. NO PORTION OF THIS PUBLICATION, WHETHER IN WHOLE OR IN PART CAN BE REPRODUCED WITHOUT THE EXPRESS WRITTEN CONSENT OF SPC TECHNOLOGY.



REVISIONS				DOC. NO. SPC-F005, Total Pages: 2				
DCP #	REV	DESCRIPTION	DRAWN	DATE	CHECKD	DATE	APPRVD	DATE
1946	A	RELEASED	SA	1/10/07	JWM	3/19/07	TL	3/19/07



NOTES:

1. SHELL MATERIAL: BRASS PLATED
2. TERMINALS MATERIAL: STEEL, ELECTRO TIN PLATED OVER COPPER FLASH
3. SINGLE CONTACT, MINIATURE SCREW BASE WITH (2) SOLDER TERMINALS

<small>DISCLAIMER: ALL STATEMENTS AND TECHNICAL INFORMATION CONTAINED HEREIN ARE BASED UPON INFORMATION AND/OR TESTS WE BELIEVE TO BE ACCURATE AND RELIABLE. SINCE CONDITIONS OF USE ARE BEYOND OUR CONTROL, THE USER SHALL DETERMINE THE SUITABILITY OF THE PRODUCT FOR THE INTENDED USE AND ASSUME ALL RISK AND LIABILITY WHATSOEVER IN CONNECTION THEREWITH.</small>			
Tolerances Unless Otherwise Specified Fraction 1/64 Decimals .XXX ± 0.005	DRAWN BY: SAMI ALNADI	DATE: 1/10/07	DRAWING TITLE: Miniature Scew Base Lamp Holder
	CHECKED BY: JEFF MCVICKER	DATE: 3/19/07	SIZE: A
	APPROVED BY: THOMAS LEE	DATE: 3/19/07	DWG. NO.: SPC21714
			ELECTRONIC FILE: 16M1204.DWG
		SCALE: NTS	U.O.M.: INCHES
		SHEET: 1 OF 1	

SPC-F005.DWG