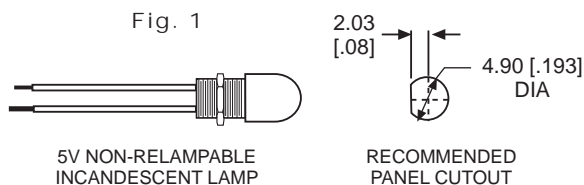


252 SERIES FOR 0.193" MOUNTING HOLE

PART NO.	MIL DESIG.	COLOR	FIG.
252-9951-0937	LHC82/1CN2	CL	1
252-9951-0971	LHC82/1RT2	R	1
252-9951-0972	LHC82/1GT2	G	1
252-9951-0973	LHC82/1YT2	Y	1
252-9951-0974	LHC82/1BT2	BL	1
252-9951-0975	LHC82/1WT2	WH	1

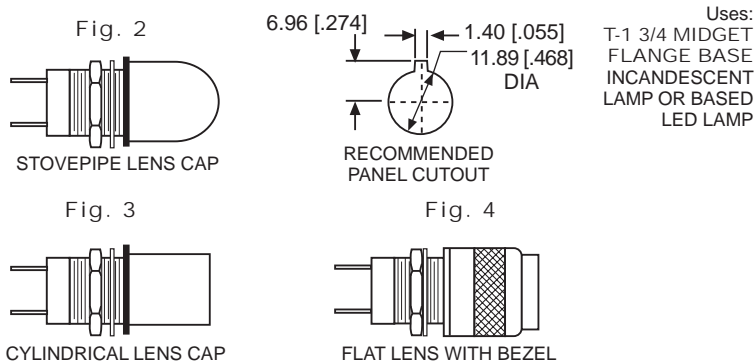
LHC82/1 SUPERCEDES MS25446



359 & 360 SERIES FOR 15/32" MOUNTING HOLE

PART NO.*	MIL DESIG.	COLOR	FIG.
359-8430-0931-502	LH73/1, LC12RN2	R	2
359-8430-0932-502	LH73/1, LC12GN2	G	2
359-8430-0933-502	LH73/1, LC12YN2	Y	2
359-8430-1431-502	LH73/1, LC29RN2	R	3
359-8430-1432-502	LH73/1, LC29GN2	G	3
359-8430-1433-502	LH73/1, LC29YN2	Y	3
360-8430-0331-502	LH73/1, LC11RN2	R	4
360-8430-0332-502	LH73/1, LC11GN2	G	4
360-8430-0333-502	LH73/1, LC11YN2	Y	4

LH73/1, LC12RN2 SUPERCEDES MS25256

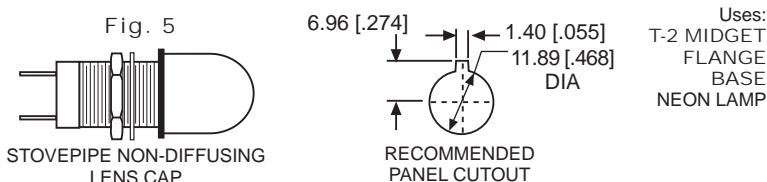


Uses:
T-1 3/4 MIDGET FLANGE BASE INCANDESCENT LAMP OR BASED LED LAMP

361 SERIES FOR 15/32" MOUNTING HOLE

PART NO.*	MIL DESIG.	COLOR	FIG.
361-8836-0931-552	LH74/1, LC13RN2	R	5
361-8836-0933-552	LH74/1, LC13YN2	Y	5
361-8836-0937-552	LH74/1, LC13CN2	CL	5

LH74/1, LC13RN2 SUPERCEDES MS25257

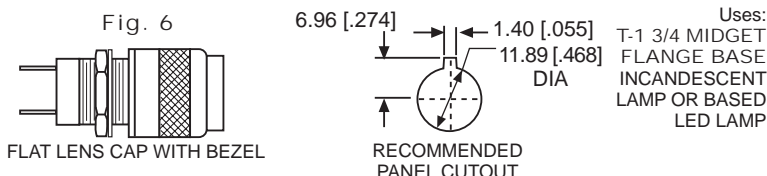


Uses:
T-2 MIDGET FLANGE BASE NEON LAMP

363 SERIES FOR 15/32" MOUNTING HOLE

PART NO.*	MIL DESIG.	COLOR	FIG.
363-8430-0331-502	LH73/2, LC25RN2	R	6
363-8430-0332-502	LH73/2, LC25GN2	G	6
363-8430-0333-502	LH73/2, LC25YN2	Y	6

FOR RFI/EMI APPLICATIONS



Uses:
T-1 3/4 MIDGET FLANGE BASE INCANDESCENT LAMP OR BASED LED LAMP

367, 368 & 369 SERIES FOR 15/32" MOUNTING HOLE • OILTIGHT†

PART NO.*	MIL DESIG.	COLOR	FIG.
367-8430-0931-503**	LH89/1, LC35RN2	R	7
367-8430-0932-503	LH89/1, LC35GN2	G	7
367-8430-0933-503**	LH89/1, LC35YN2	Y	7
368-8430-0111-203	LH89/1, LC36RD2	R	8
368-8430-0112-203	LH89/1, LC36GD2	G	8
368-8430-0113-203	LH89/1, LC36YD2	Y	8
369-8430-0111-203	LH89/1, LC37RD2	R	9
369-8430-0112-203	LH89/1, LC37GD2	G	9
369-8430-0113-203	LH89/1, LC37YD2	Y	9

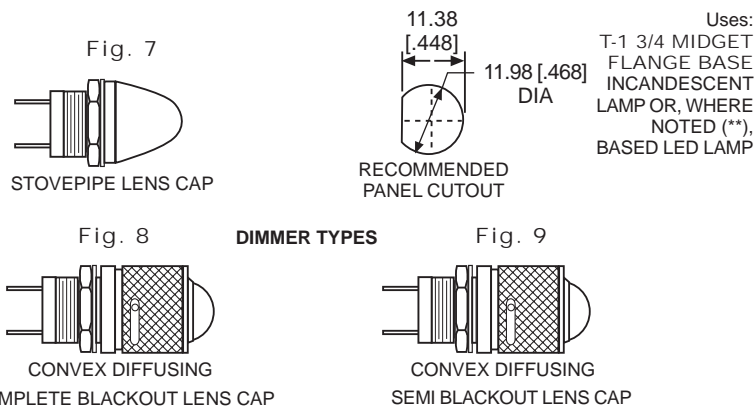
† See Page 14 for Oiltight information

* Cap and bases ordered separately; for complete military part number listing, please see military index on Pages 32 & 33

Neon and incandescent lamp information on pages 35 and 36.

Based LED lamp information on Pages 37 through 40.

Dimensions in mm [inches]



Uses:
T-1 3/4 MIDGET FLANGE BASE INCANDESCENT LAMP OR, WHERE NOTED (**), BASED LED LAMP