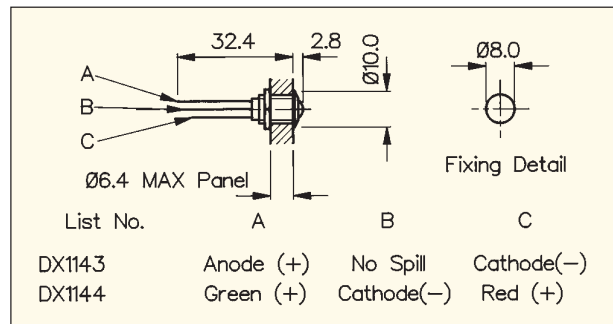
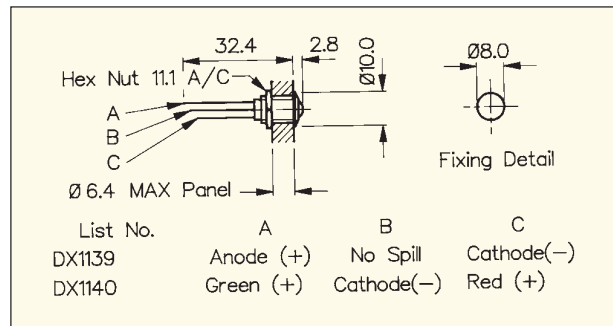
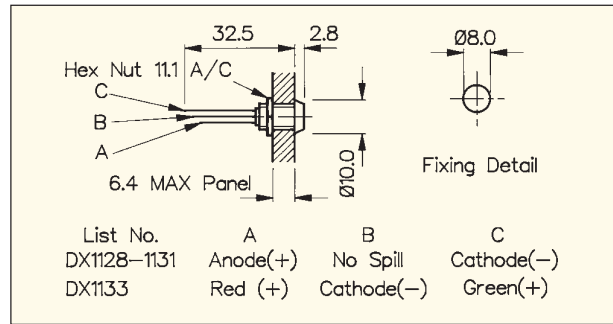


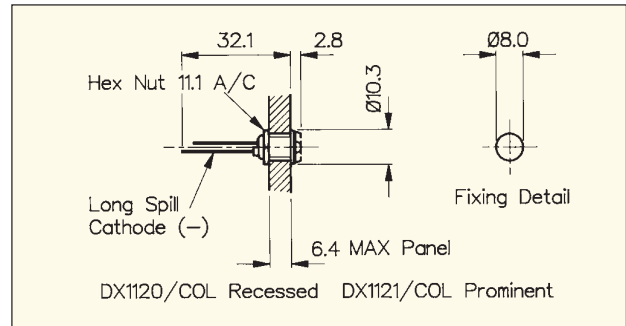
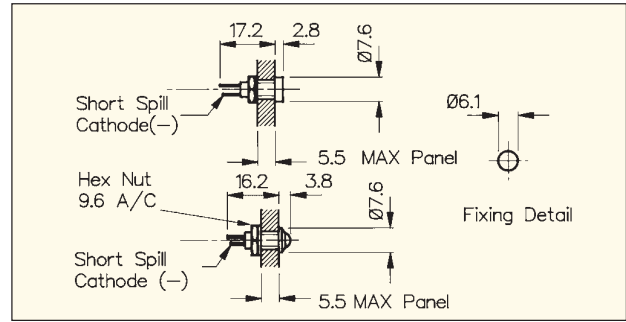
Data	List No.	DX0998/Col, DX0999/Col	DX1090/Col to 93/Col.
Forward Voltage d.c.:		Red = 2V., Green = 2.2V., Yellow = 2.1V. (3V.d.c. & above - series resistor required).	Red = 2V., Green = 2.2V., Yellow = 2.1V. (3V.d.c. & above - series resistor required).
Cont. Forward Current:		30mA. max.	30mA. max.
Luminous Intensity (mcd):		20 @ 10mA.	Red & Yellow = 20 @ 10mA., Green = 8 @ 10mA.
Power Dissipation @ 20°C:		105mW. max.	105mW. max.
Reverse Current:		100µA. max.	100µA. max.
Reverse Voltage:		5V. max.	5V. max.
Operating Temp.:		-40°C to +85°C.	-40°C to +85°C.
Storage Temp.:		-40°C to +85°C.	-40°C to +85°C.
Lead Solder Time:		260°C for 5 seconds max.	260°C for 5 seconds max.
Material:		Brass, chrome plated.	DX1090, 1092: Aluminium - Black DX1091, 1093: Aluminium - Clear
LED Colour:		Add colour to List No. - /RD (Red), /GN (Green), /YL (Yellow).	Add colour to List No. - /RD (Red), /GN (Green), /YL (Yellow).
Sealing:			IP66 to BS60529: 1992 Torque 8ozf. in (0.056Nm) min.



INDICATORS



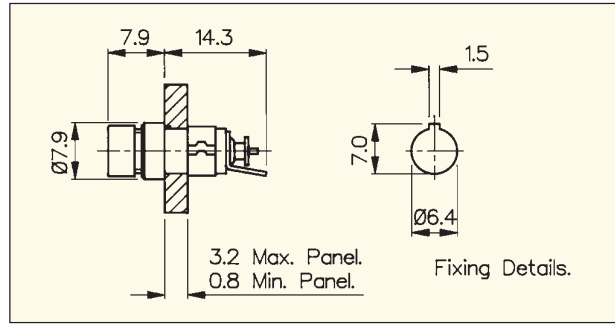
Data	List No.	DX1128 ,29, 30, 31,39,43	DX1133, 40, 44
Forward Voltage d.c.:		4.75V. - 7V.	2.4V. (typical) (3V.d.c. & above - series resistor to be fitted to each anode connection.)
Cont. Forward Current:		10 - 30mA	30mA max.
Luminous Intensity (mcd):		Red = 1.6 @ 20mA. Green = 3.0 @ 20mA.	2.5 @ 10mA.
Power Dissipation @ 20°C. Ambient:		200mW. max.	150mW. max.
Reverse Current:			100µA. max.
Reverse Voltage:		0.4V. max.	5V. max.
Operating Temp.:		-40°C. to +70°C.	
Storage Temp.:		-55°C. to +100°C.	
Lead Solder Time:		260°C. for 5 seconds (max.).	
Material:		Brass, Chrome Plated (DX1128, 30, 43) Glass Filled Nylon (DX1129, 31, 39)	Brass, Chrome Plated (DX1144) Glass Filled Nylon (DX1133, 40)
Colour type:		DX1128, 29, - Red Flashing. DX1130, 31, 39, 43 - Green Flashing.	Red/Green (Both 'on' - Yellow / Amber).



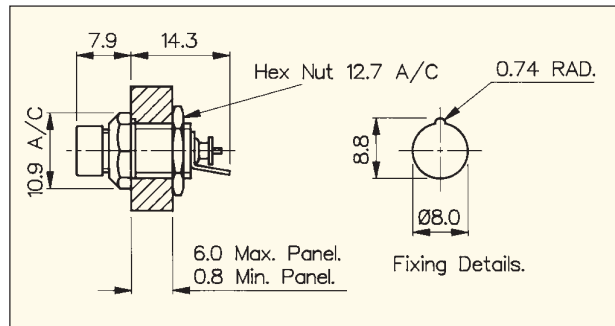
Data	List No.	DX1116/Col - 19/Col	DX1120/Col & DX1121/Col.
Forward Voltage d.c.:		Red, Yellow - 2.0V. Green - 2.1V.	Red = 2.0V. Green = 2.2V.
Cont. Forward Current:		Red, Green = 30mA. Yellow = 20mA.	30mA.
Luminous Intensity (mcd):		Red, Green, Yellow = 2.5 @ 10mA. (Typical).	Red = 20 @ 10mA., Green = 8 @ 10mA.
Power Dissipation @ 20°C:		Red, Green = 100mW. max. Yellow = 85mW. max.	105mW max.
Reverse Current:		10µA. max.	100µA. max.
Reverse Voltage:		5V. max.	5V. max.
Operating Temp.:		-40°C to +85°C.	-40°C to +85°C.
Storage Temp.:		-40°C to +100°C.	-40°C to +85°C.
Lead Solder Time:		260°C for 5 seconds max.	260°C for 5 seconds max.
Material:		Brass, chrome plated (DX1116, DX1118). Brass, black nickel (DX1117, DX1119).	Glass Filled Nylon.
LED Colour:		Add colour to List No. - /RD (Red), /GN (Green), /YL (Yellow).	Add colour to List No. - /RD (Red), /GN (Green).
Variants:			



DX0971/RD



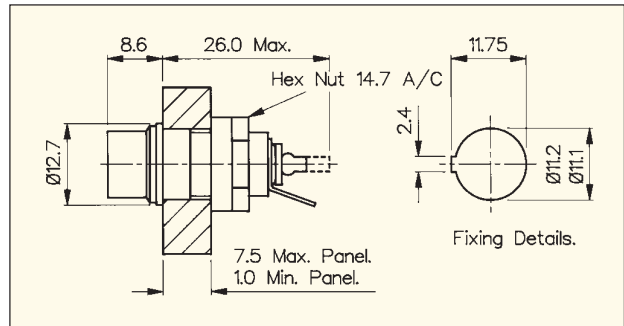
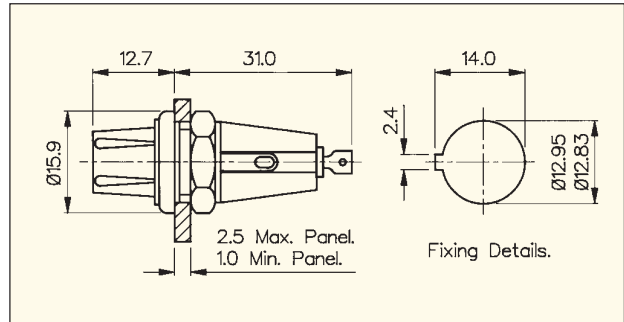
DX0992/Col



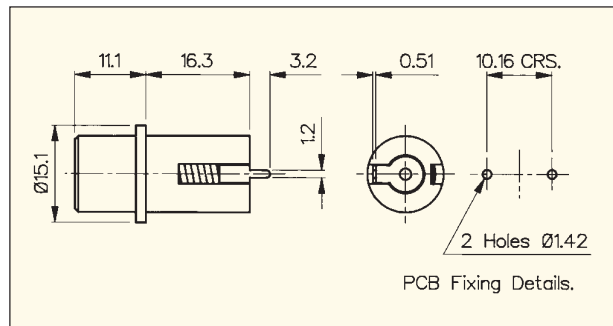
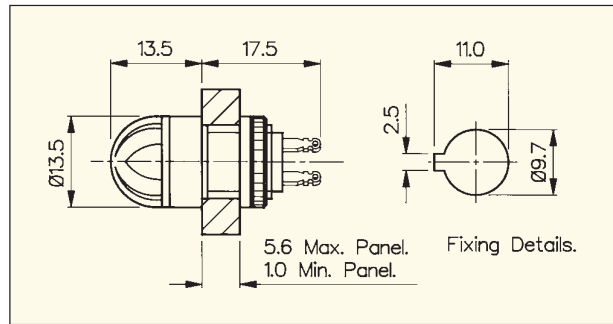
INDICATORS



Data	List No.	DX0971/RD	DX0992/Col
Lamp Acceptance:		Sub midget flange (SX3s, T1). (Lamp replacement from front of panel).	Sub midget flange (SX3s, T1). (Lamp replacement from front of panel).
Termination:		Solder tags.	Solder tags.
Max. Working Voltage:		30V. a.c./d.c.	30V. a.c./d.c.
Max. Dissipation @ 21°C. Ambient:		0.75W.	0.75W.
Max. Working Temp:		100°C.	100°C.
Insulation Resistance:		> 10 ³ MΩ.	> 10 ³ MΩ.
H.V. Proof Test:		1kV. d.c. pole - pole.	1kV. d.c. pole - pole.
Materials:		Body: Glass Filled Nylon. Lens: Polycarbonate.	Body: Glass Filled Nylon. Lens: Polycarbonate.
Contacts:		Brass: Tin Dipped.	Brass: Tin Dipped.
Lens Colours:		(Transparent) Add to List No. /RD - red	(Translucent) Add to List No. (/RD - red, /GN - green, /OR - orange, /WH - white).
Variants:			



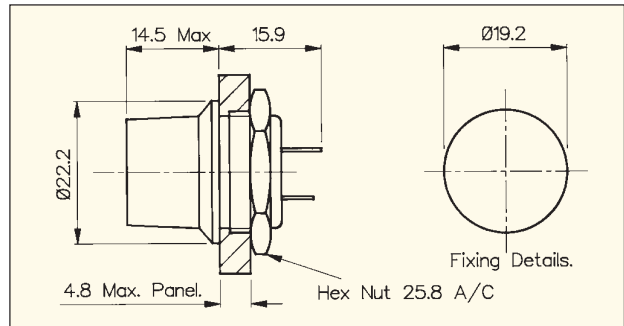
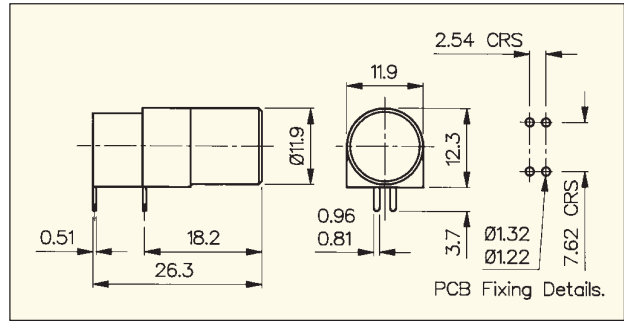
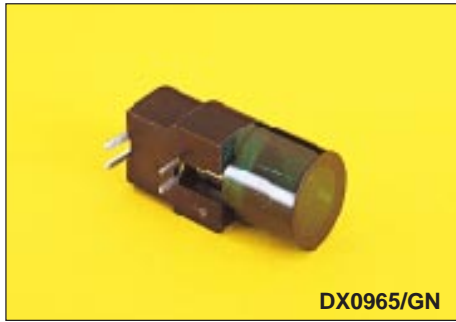
Data	List No.	DX0296/Col.	DX0973/Col., DX0974/Col.
Lamp Acceptance:		Midget flange (SX6s, T1 ^{3/4}). (Lamp replacement from front of panel).	Midget flange (SX6s, T1 ^{3/4}). (Lamp replacement from front of panel).
Termination:		Solder tags.	Solder tags.
Max. Working Voltage:		50V. a.c./d.c. {E5(LES) 30V a.c./d.c.}	50V. a.c./d.c. {E5(LES) 30V a.c./d.c.}
Max. Dissipation @ 21°C. Ambient:		1.5W.	1.5W.
Max. Working Temp:		100°C.	100°C.
Insulation Resistance:		> 10 ³ MΩ.	> 10 ³ MΩ.
H.V. Proof Test:		1kV. d.c. pole - pole.	1kV. d.c. pole - pole.
Materials:		Body & Nut: Glass Filled Nylon. Lens: Polycarbonate.	Body: Glass Filled Nylon. Lens: Polycarbonate.
Contacts:		Brass: Silver Plated.	Brass: Tin Dipped.
Lens Colours:		Transparent. Add to List No. (/RD - red, /GN - green, /AM - amber, /BL - blue, /WC - water clear).	DX0973 (Transparent) Add to List No. (/RD - red, /GN - green, /AM - amber). DX0974 (Translucent) Add to List No. (/RD - red, /WH - white).
Variants:		For Screw Cap E5 (LES, T1 ^{1/2}) add /LES to List No.	For Screw Cap E5 (LES, T1 ^{1/2}) add /LES to List No.



INDICATORS

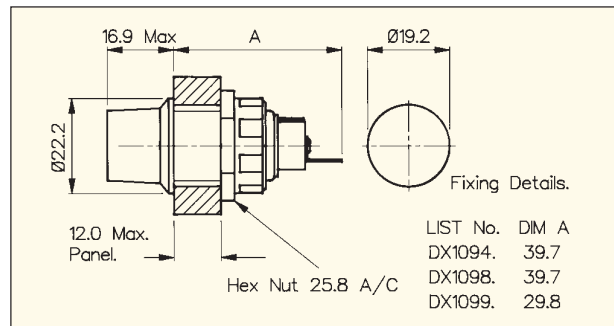
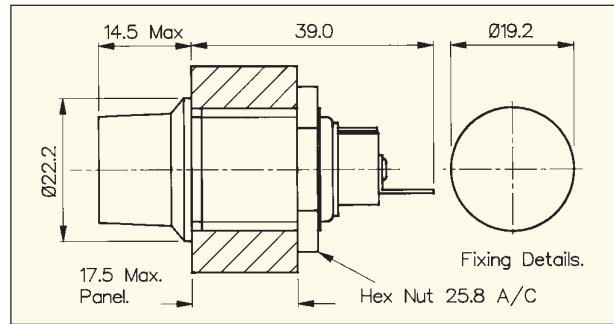


Data	List No.	DX0674/1/RD	DX0955/Col.	
Lamp Acceptance:		Screw Cap E5 (LES, T1 ^{1/2}). (Lamp replacement from front of panel).	Screw Cap E5 (LES, T1 ^{1/2}). (Lamp replacement by removing lens).	
Termination:		Solder tags.	P.C. Spills.	
Max. Working Voltage:		30V. a.c./d.c.	30V. a.c./d.c.	
Max. Dissipation @ 21°C. Ambient:		1.5W.	1.5W.	
Max. Working Temp:		100°C.	100°C.	
Insulation Resistance:		> 10 ³ MΩ.	> 10 ³ MΩ.	
H.V. Proof Test:		1kV. d.c. pole - pole.	1kV. d.c. pole - pole.	
Materials:		Body: Glass Filled Nylon. Lens: Polycarbonate.	Body: Glass Filled Nylon. Lens: Polycarbonate.	
Contacts:		Brass: Tin Dipped.	Brass: Tin Plated.	
Lens Colours:		(Transparent) Add to List No. (/RD - red).	Transparent. Add to List No. (/GN - green, /AM - amber, /BL - blue).	
Variants:			Anti-vibration lampholder fitted as standard.	



Data	List No.	DX0965/GN.	DX0864/Lens P.No/Col.
Lamp Acceptance:		Screw Cap E5 (LES, T1 ^{1/2}). (Lamp replacement by removing lens).	Screw Cap E5 (LES, T1 ^{1/2}). (Lamp replacement from front of panel).
Termination:		4 P.C. Spills.	Solder tags.
Max. Working Voltage:		30V. a.c./d.c.	30V. a.c./d.c.
Max. Dissipation @ 21°C. Ambient:		1.5W.	1.5W.
Max. Working Temp:		100°C.	100°C.
Insulation Resistance:		> 10 ³ MΩ.	> 10 ³ MΩ.
H.V. Proof Test:		1kV. d.c. pole - pole.	1kV. d.c. pole - pole.
Materials:		Body: Glass Filled Nylon. Lens: Polycarbonate.	Body: Brass, Chrome Plated Lens: Polycarbonate.
Contacts:		Brass: Tin Plated.	Brass: Tin Plated.
Lens Colours:		Transparent. (/GN - green.)	Transparent. Add to List No. (/RD - red, /GN - green, /AM - amber, /BL - blue, /WC - water clear).
Variants:		Anti-vibration Lampholder fitted as standard.	DX0864/11713/Colour. Low Profile, flat top lens. DX0864/10440/Colour. High Profile, flat top lens.

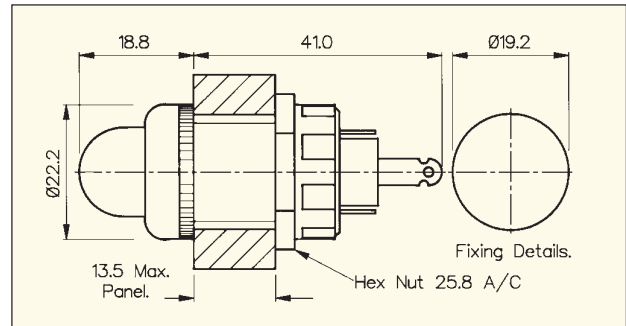
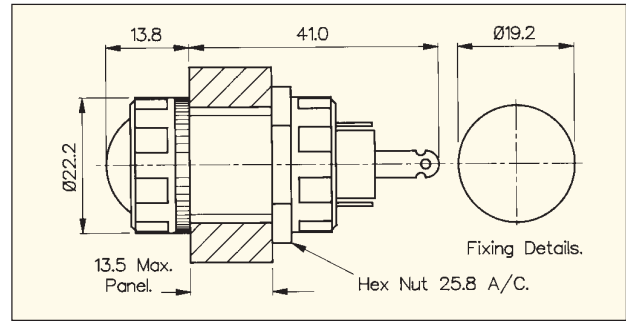
T1¹/₂, T3¹/₄, G3¹/₂



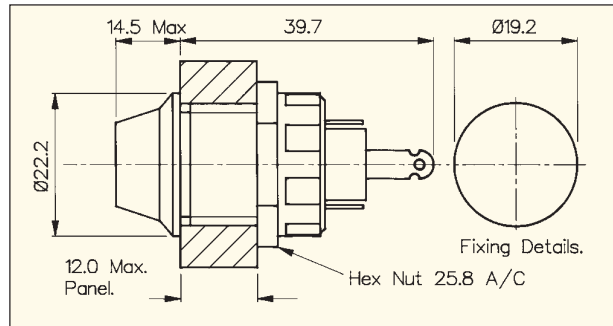
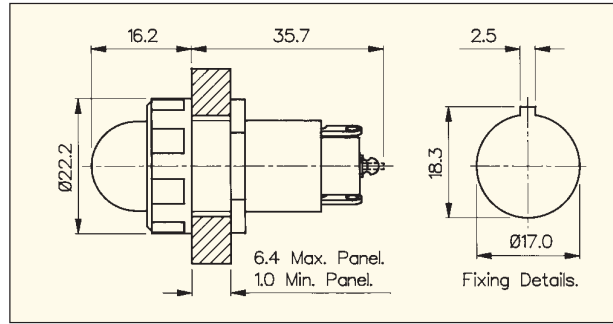
INDICATORS



Data	List No.	DX0852/Lens P.No/Col.	DX1094,1098,1099/Lens P.No/Col.
Lamp Acceptance:		DX0852 Bayonet Cap BA9s (MBC, T3 ¹ / ₄ , G3 ¹ / ₂). (Lamp replacement from front of panel).	DX1094 Screw Cap E10 (MES, T3 ¹ / ₄ , G3 ¹ / ₂). DX1098 Bayonet Cap BA9s (MBC, T3 ¹ / ₄ , G3 ¹ / ₂). DX1099 Screw Cap E5 (LES, T1 ¹ / ₂). Anti vibration lampholder fitted. (Lamp replacement: front or rear of panel).
Termination:		Solder tags.	Solder tags.
Max. Working Voltage:		250V. a.c.	DX1094, DX1098 250V. a.c. DX1099 30V. a.c./d.c.
Max. Dissipation @ 21°C. Ambient:		3W.	3W.
Max. Working Temp:		100°C.	100°C.
Insulation Resistance:		> 10 ⁴ MΩ.	> 10 ⁴ MΩ.
H.V. Proof Test:		1.5kV. d.c. pole - pole.	1.5kV. d.c. (DX1094, DX1098) 1.0kV. d.c. (DX1099) pole to pole.
A.C. Breakdown:		Poles - Body 3.2kV.	Poles - Panel 10kV.
Materials:		Body: Brass, Chrome Plated. Lens: Polycarbonate.	Body: Nylon. Lens: Polycarbonate.
Contacts:		Brass: Tin Plated.	Brass: Silver Plated.
Lens Colours:		Transparent Add to List No. (/RD - red, /GN - green, /AM - amber, /BL - blue, /WC - water clear).	Transparent Add to List No. (/RD - red, /GN - green, /AM - amber, /BL - blue, /WC - water clear).
Variants:		DX0852/11713/Col Low profile, flat top lens. (Not T3 ¹ / ₄ bulbs) DX0852/10440/Col High profile, flat top lens. (not /RD or /BL)	DX1098, DX1099/8019/Col Domed fluted lens. DX1094, DX1098, DX1099/10440/Col High profile, flat top lens.



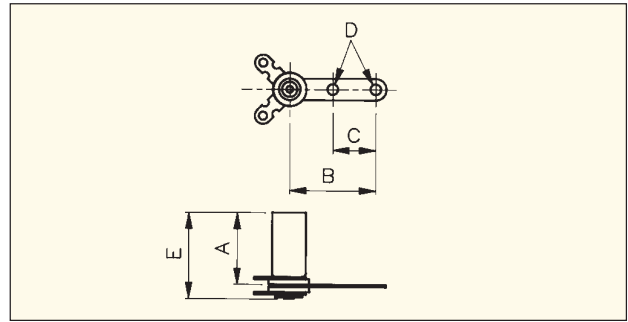
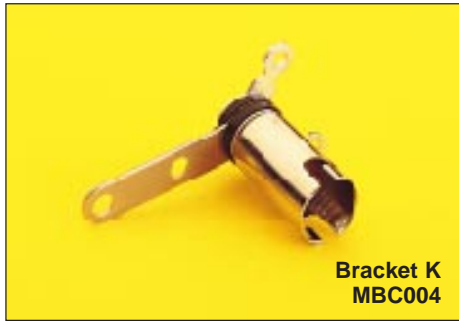
Data	List No.	DX0110/Col/G.	DX0431/Col/M.
Lamp Acceptance:		Bayonet Cap BA9s (MBC, T3 ¹ / ₄ , G3 ¹ / ₂). (Lamp replacement from front or rear of panel).	Bayonet Cap BA9s (MBC, T3 ¹ / ₄ , G3 ¹ / ₂). (Lamp replacement from front or rear of panel).
Termination:		Solder tags.	Solder tags.
Max. Working Voltage:		250V. a.c.	250V. a.c.
Max. Dissipation @ 21°C. Ambient:		3W.	3W.
Max. Working Temp:		100°C.	100°C.
Insulation Resistance:		> 10 ⁴ MΩ.	> 10 ⁴ MΩ.
H.V. Proof Test:		1kV. d.c. pole - pole.	1.5kV. d.c. pole - pole.
A.C. Breakdown:		Poles - Body 3.2kV.	Poles-Body 3.2kV.
Materials:		Body: Aluminium. Lens: Polycarbonate or Glass.	Body: Aluminium. Lens: Polycarbonate.
Contacts:		Brass: Silver Plated	Brass: Silver Plated.
Lens Colours:		DX0110/Col/M (Plastic Transparent) (/BL - blue, /WC - water clear). DX0110/Col/G (Glass Transparent) (/RD - red, /BL - blue, /WC - water clear).	(Transparent) (/GN - green, /AM - amber, /BL - blue, /WC - water clear).
Variants:		For front metal bezel add /M to List No.	



INDICATORS



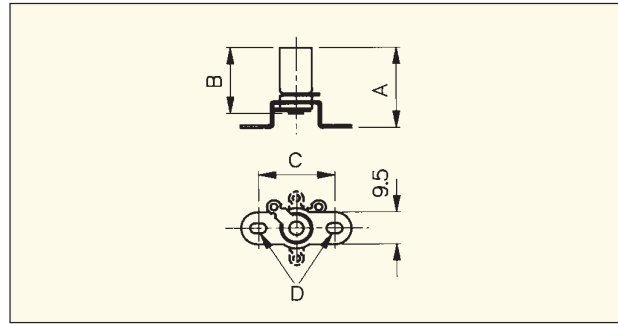
Data	List No.	DX0656/Col.	DX0662,DX0663/Lens P.No/Col.
Lamp Acceptance:		Bayonet Cap BA9s (MBC, T3 ¹ / ₄). Lamp replacement from front of panel.	DX0662 Screw Cap E10 (MES, T3 ¹ / ₄ , G3 ¹ / ₂). DX0663 Bayonet Cap BA9s (MBC, T3 ¹ / ₄ , G3 ¹ / ₂). (Lamp replacement from front or rear of panel).
Termination:		Solder tags.	Solder tags.
Max. Working Voltage:		250V. a.c.	250V. a.c.
Max. Dissipation @ 21°C. Ambient:		3W.	3W.
Max. Working Temp:		100°C.	100°C.
Insulation Resistance:		> 10 ⁴ MΩ.	> 10 ⁴ MΩ.
H.V. Proof Test:		1.5kV. d.c. pole - pole.	1kV. d.c. pole - pole.
A.C. Breakdown:		Pole - panel 8kV.	Poles - Body (DX0662) 2.2kV. (DX0663) 3.2kV.
Materials:		Body: Phenolic. Bezel: Glass filled Nylon. Lens: Polycarbonate.	Body: Brass, Chrome Plated. Lens: Polycarbonate.
Contacts:		Brass: Tin & Silver Plated.	Brass: Tin Plated.
Lens Colours:		Transparent Add to List No. (/GN - green, /BL - blue).	Transparent Add to List No. (/RD - red, /GN - green, /AM - amber, /BL - blue, /WC - water clear).
Variants:			DX0662, DX0663/11713/Col Low profile, flat top lens. (not T3 ¹ / ₄ bulbs). DX0663/10440/Col High profile, flat top lens.



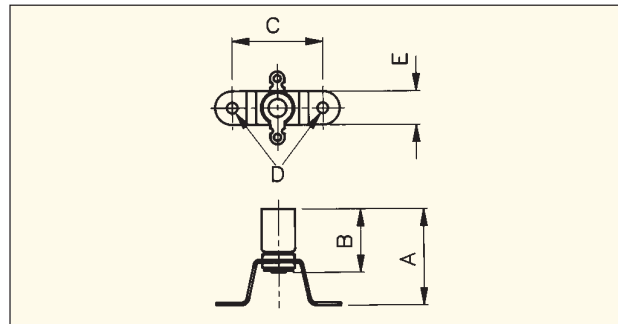
Lamp Acceptance	Bracket	List No.	Description	A	B	C	D	E
MBC	E	MBC003	Single Contact	21.4	55.2	36.5	Slot 4.0 Wide	27.8 (+4mm with bulb inserted).
	K	MBC004			25.4	12.7	2 Holes Ø 3.2	
SCC	A	SCC003	Single Contact	24.1	19.8	-	1 Hole Ø 3.8	25.4
SBC	E	SBC107	Double Contact	24.1	55.2	36.5	Slot 4.0 Wide	25.4
SCC	E	SCC107	Single Contact	24.1	55.2	36.5	Slot 4.0 Wide	25.4



Data \ List No.	MBC003, MBC004	SBC107	SCC003, SCC107
Terminations:	Solder tags.	Solder eyelets in moulded platform.	Solder eyelets in moulded platform.
Max Working Voltage:	60V.	250V.	250V.
Max Dissipation (@40°C):	6W.	25W.	60W.
Insulation Resistance:	> 10 ³ MΩ.	> 10 ³ MΩ.	> 10 ³ MΩ.
H.V. Proof Test:	1.5kV. d.c.	2kV. d.c.	2kV. d.c.



Lamp Acceptance	List No.	Description	A	B	C	D
MBC	MBC004/M	Moulded insulation for 250V. Connection: 1 Tag + rear spill.	29.4	27.8 (+4mm with bulb inserted).	21.4	2 Elongated Holes 4.6 long x 3.0 wide
SBC	SBC004	Double Contact	32.2	25.4	21.4	

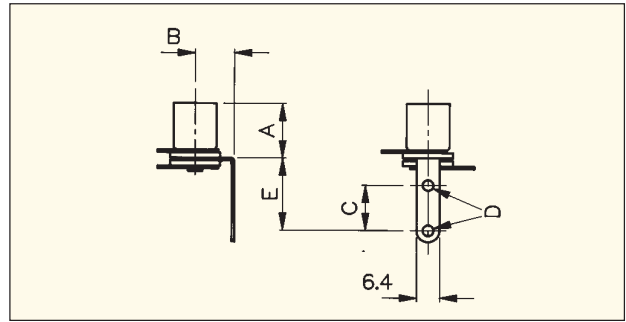


Lamp Acceptance	Bracket	List No.	Description	A	B	C	D
MBC	G	MBC094/M	Moulded insulation for 250V. Connection: 1 Tag + rear spill.	34.1	31.0 (+4mm with bulb inserted)	25.4	2 Holes Ø3.1
SBC	I	SBC104	Double Contact	31.4	25.4	38.1	2 Holes Ø4.0

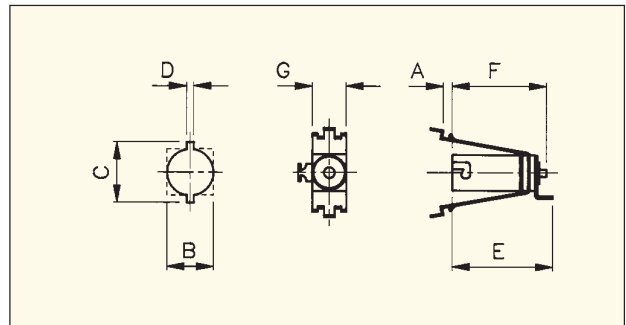
INDICATORS



Data	List No.	MBC004/M, MBC094/M	SBC004, SBC104
Terminations:		1 Solder tag + rear spill	Solder eyelets in moulded platform.
Max Working Voltage:		250V.	250V.
Max Dissipation (@40°C):		6W.	25W.
Insulation Resistance:		> 10 ³ MΩ.	> 10 ³ MΩ.
H.V. Proof Test:		2kV. d.c.	2kV. d.c.

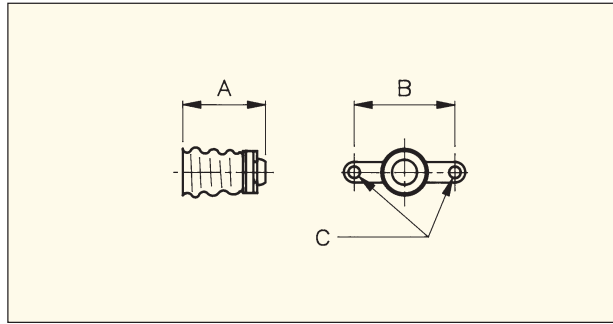
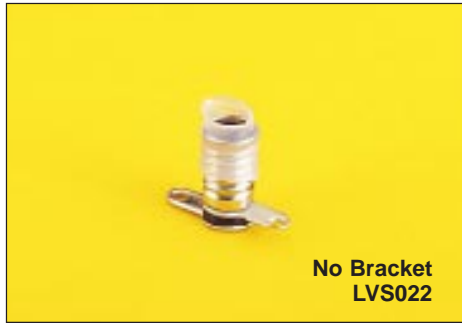


Lamp Acceptance	List No.	Description	A	B	C	D	E
SBC	SBC006	Double Contact.	24.1	11.1	12.7	Ø3.2	19.8



Lamp Acceptance	List No.	Description	A	Fixing Details				E	F
				B	C	D			
LES	LVS102	Rolled shell holder with anti-vibration sleeve. Tags not formed.	0.8	7.9 Square	10.3	2.0	-	12.8	
MBC	MBC102/M	Moulded insulation for 250V. Connection: 1 Tag + rear spill.	4.7	Ø15.9	17.5	4.0	-	31.0 (+4mm with bulb inserted)	

Data	List No.	LVS102	MBC102/M	SBC006
Terminations:		Solder tags.	1 solder tag + rear spill.	Solder eyelets in moulded platform.
Max Working Voltage:		30V.	250V.	250V.
Max Dissipation (@40°C):		1.5W.	6W.	25W.
Insulation Resistance:		> 10 ³ MΩ.	> 10 ³ MΩ.	> 10 ³ MΩ.
H.V. Proof Test:		1kV. d.c.	2kV. d.c.	2kV. d.c.



INDICATORS

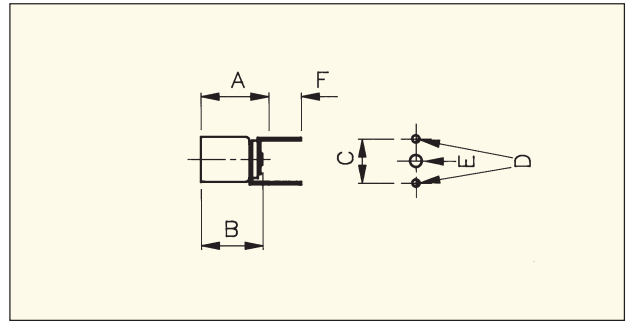
Lamp Acceptance	List No.	Description	A	B	C
LES	LVS022	Rolled shell holder with anti-vibration sleeve.	11.9	12.7	Ø1.6
MES	MES022	Rolled shell holder.	14.7	22.2	Ø2.4
MBC	MBC022/M	Moulded insulation for 250V. Connection: 1 Tag + rear spill; fixing into 6.6 square hole by fixing washer supplied.	31.0 (+4mm with bulb inserted).	-	-
SBC	SBC022	Double Contact.	24.1 (+2.4 fixing lugs).	-	-
SCC	SCC022	Single Contact.		-	-



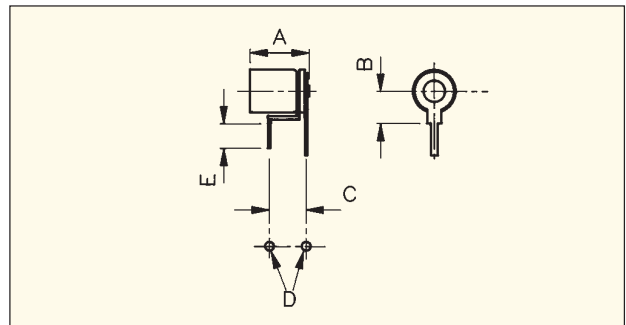
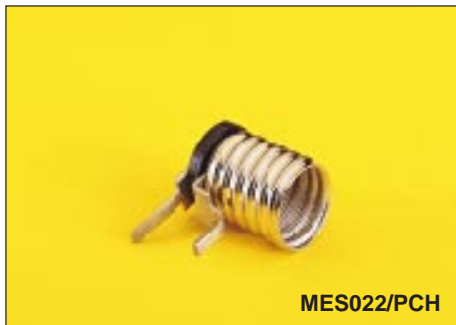
Data \ List No.	LVS022	MBC022/M, MES022	SBC022, SCC022
Terminations:	Solder tags.	MBC - 1 solder tag + rear spill. MES - Solder tags.	SBC - Solder eyelets in moulded platform. SCC - 1 solder tag + rear spill.
Max Working Voltage:	30V.	MBC, 250V. MES, 60V.	250V.
Max Dissipation (@40°C):	1.5W.	6W.	SBC, 25W. SCC, 60W.
Insulation Resistance:	> 10 ³ MΩ.	> 10 ³ MΩ.	> 10 ³ MΩ.
H.V. Proof Test:	1kV. d.c.	MBC, 2kV. d.c. MES, 1.5kV. d.c.	2kV. d.c.

P.C. Mounting, Vertical & Horizontal

INDICATORS



Lamp Accept.	List No.	Description	A	B	C	Fixing Details		F
						D	E	
LES	LVS022/PC	Rolled shell holder with anti-vibration sleeve.	13.9	10.0	10.16	Ø1.42	-	3.2
MES	MES022/PC	Rolled shell holder.	14.7	14.3	17.78	Ø2.0	-	4.4
	MSS056/PC	Spring shell holder.	15.7	15.3			-	
MBC	MBC008/PC/9.5	Single Contact. (Contact spill extends by 4mm with bulb inserted).	23.0	23.0	9.53		Ø3.2	7.9



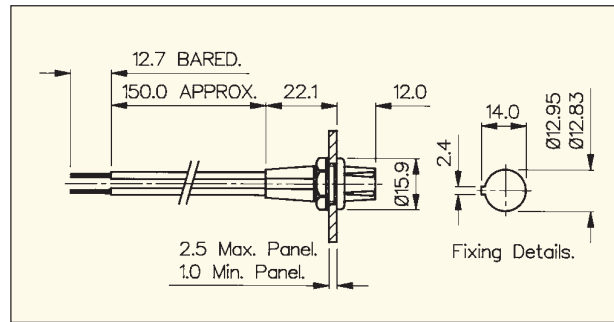
Lamp Accept.	List No.	Description	A	B	C	Fixing	E
						D	
MES	MES022/PCH	Rolled shell holder.	13.5	6.4	8.0	Ø2.5	5.6



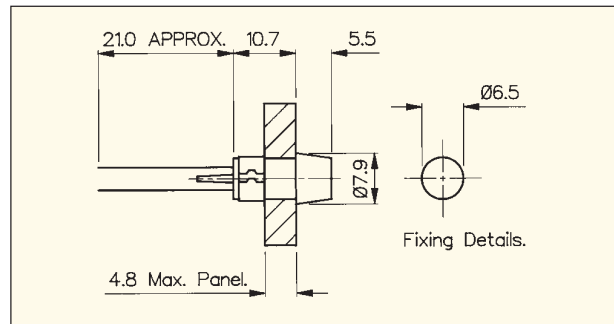
Data	List No.	LVS022/PC	MES022/PC, MES022/PCH MSS056/PC	MBC008/PC/9.5
Terminations:		P.C. spills.	P.C. spills.	P.C. spills.
Max Working Voltage:		30V.	60V.	60V.
Max Dissipation (@40°C):		1.5W.	6W.	6W.
Insulation Resistance:		> 10 ³ MΩ.	> 10 ³ MΩ.	> 10 ³ MΩ.
H.V. Proof Test:		1kV. d.c.	1.5kV. d.c.	1.5kV. d.c.



DX0296/V/Col



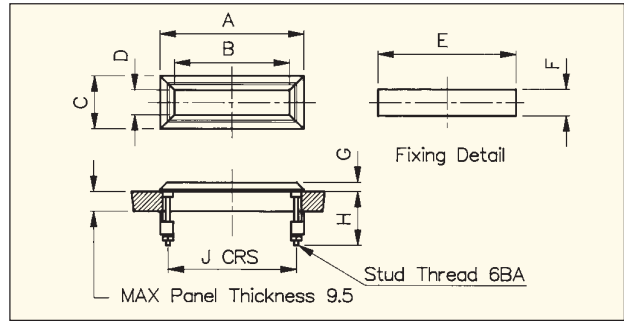
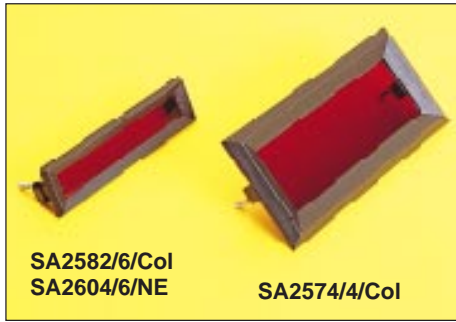
DX0926/Col



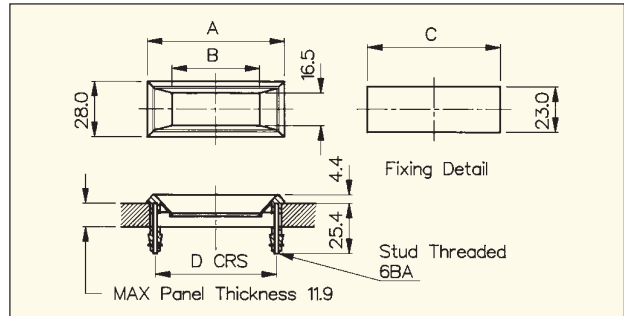
INDICATORS



Data \ List No.	DX0296/Volts/Col.	DX0926/Col.	
Termination:	Flying Leads (colour coded Brown 250V., Blue 110V.)	Neon wires.	
Working Voltage:	110V. a.c. (W.C. Only) 250V. a.c./d.c.	A suitable resistor must be used externally. 100 - 120V. a.c. only = 82 kΩ, 0.1 Watt. 200 - 250V. a.c./d.c. = 270kΩ, 0.25 Watt.	
Insulation Resistance:	> 10 ⁴ MΩ.	> 10 ³ MΩ.	
H.V. Proof Test:	2kV. a.c.	2kV. a.c.	
Materials:	Body & Fixing Nut: Glass Filled Nylon. Lens: Polycarbonate.	Body & Lens: Polycarbonate. Spring Clip: Steel, blued.	
Lens Colours:	Amber Neon behind red (/RD) or water clear (/WC) Add to List No.	Amber Neon behind red (/RD) or water clear (/WC) Add to List No. Also available green (/GN) when lit (behind a clear lens) Add to List No.	



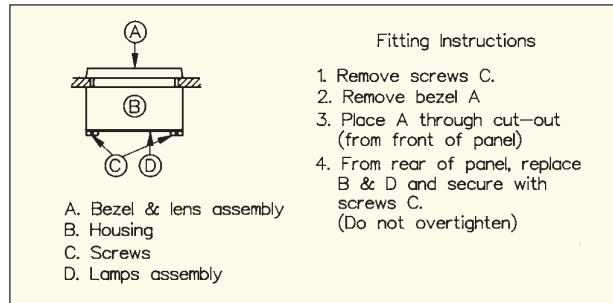
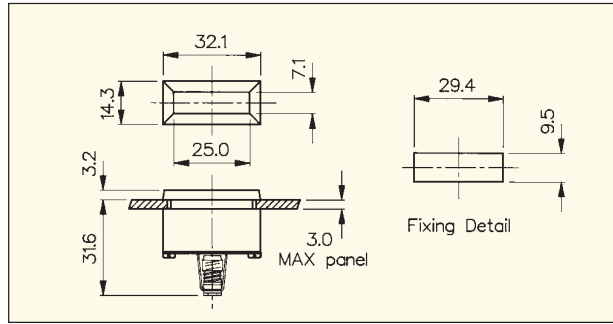
List No.	A	B	C	D	E	F	G	H	J
SA2582/4/Col	68.8	55.0	25.4	12.0	66.17	12.70	4.4	25.8	61.4
SA2582/6/Col	94.2	81.0			91.57				86.8
SA2604/4/Col	68.8	53.6	29.8	16.4	66.17	16.76	4.4	25.8	61.4
SA2604/6/NE	94.2	79.0			91.57				86.8
SA2604/8/Col	119.6	104.4			117.20				112.4
SA2574/4/Col	122.0	96.5	58.5	33.0	117.60	42.42	6.4	24.7	109.2
SA2574/6/Col	168.0	142.2			163.32				154.9



List No.	A	B	C	D
SA2612/4	69.5	44.5	67.51	62.5
SA2612/6	87.5	62.2	85.24	80.2
SA2612/8	111.5	86.2	104.25	104.2



Data	List No.	SA2582/4 & 6/Col., SA2604/4/Col, /6/NE & 8/Col., SA2574/4 & /6/Col.	SA2612/4, /6 & /8
Materials:			
Bezel & Clamps:		Glass Filled Nylon.	Glass Filled Nylon.
Metal Parts:		Brass, Nickel Plated.	Brass, Nickel Plated.
Screen:		C.A.B. Laminate.	No screen fitted.
Screen Colours:		Add /RD (Red), /NE (Neutral) to List No.	No screen fitted.



Screen Combinations - Order Separately

Front	Rear	Visual Effect	Note
PNo11945/Colour	PNo11946	Lit coloured background.	A thin paper or film legend may be sandwiched between screens. (Uses own Legend).
PNo11946	PNo11945/Colour	White screen, when lit.	
PNo11992/Colour	-	Coloured, textured background.	

INDICATORS



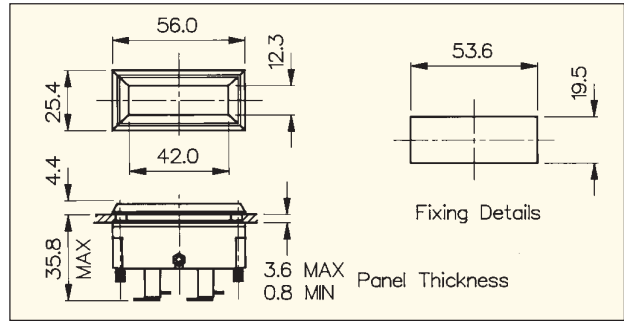
Screen Colours

Part No.	Colour
11945/Colour (Transparent)	/RD (red), /GN (green), /OR (orange), /BL (blue), /WC (water clear).
11992 (Translucent)	/RD (red), /GN (green), /OR (orange), /BL (blue), /WH (white).

Data	List No.	D11105/LL
Terminations:		Solder tags.
Max. Working Voltage.:		30V. a.c./d.c.
Lamp Acceptance:		1 x Screw cap E5 (LES, T1½).
Max. Lamp Dissipation:		1.5W.
Working Temp. Range:		-20°C to + 70°C.
Insulation Resistance:		> 10 ³ MΩ.
H.V. Proof Test:		1kV. a.c.
Materials:		
Body:		Polyester.
Bezel:		Glass Filled Nylon.
Tags:		Brass, Tin Plated.

To Order

Screens must be ordered separately	
E.g.	Quantity x D11105/LL Quantity x P.No. 11945/Col Quantity x P.No. 11946



Screen Combinations - Order Separately

Front	Rear	Visual Effect
PNo11659/Colour	PNo11660	Lit coloured background.
PNo11660	PNo11659/Colour	White screen becomes coloured when lit.
PNo11659/Colour	PNo11658	Lit characters (coloured) on dark background.
PNo11659/Colour	PNo11659/WC	Use thin paper or film legend between screens.



N.B: Screens may be cut in half for two colour display. For split screen applications/two colour display, use separator supplied.

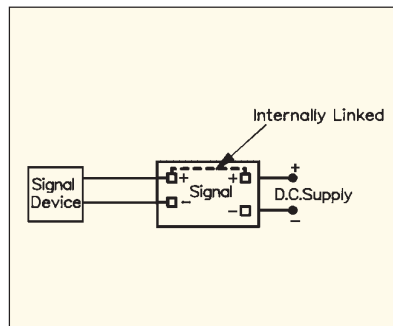
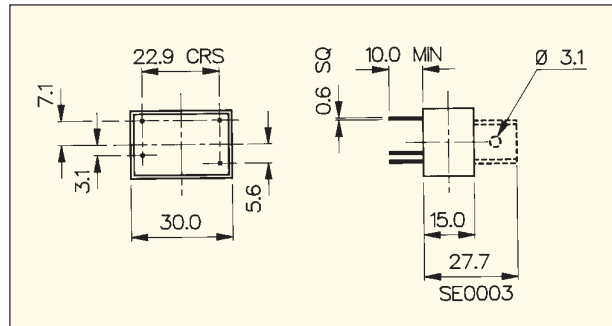
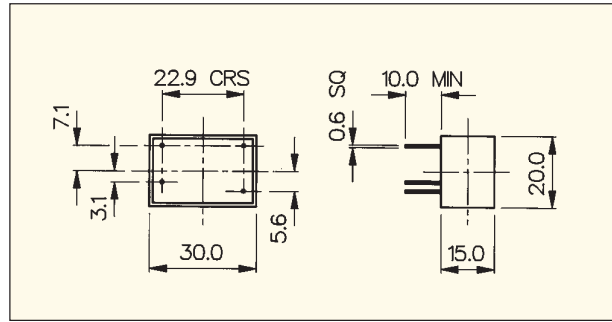
Data	List No.	D11100/LL
Terminations:		Solder tags.
Max. Working Voltage:		30V. a.c./d.c.
Lamp Acceptance:		2 x Screw cap E5 (LES, T1½).
Max. Lamp Dissipation:		3W (total).
Working Temp. Range:		-20°C to + 70°C.
Insulation Resistance:		> 10 ⁹ MΩ.
H.V. Proof Test:		1kV. a.c.
Materials:		
Body:		Glass Filled Nylon.
Bezel:		Glass Filled Nylon.
Tags:		Brass, Tin Plated.

Screen Colours

Part No.	Colour
11659/Colour (Transparent)	/RD (red), /GN (green), /OR (orange), /BL (blue), /WC (water clear).
11660	White diffuser.
11658	Black on white laminated for engraving by user.

To Order

Screens must be ordered separately	
E.g.	Quantity x D11100/LL Quantity x P.No. 11659/Col Quantity x P.No. 11658



List No.	Supply Voltage Range d.c.*	Current Consumption (Less load)
SE0001	4.5 to 15V.	8mA. typ. (@5V.)
SE0002	15 to 35V.	40mA. typ. (@ 24V.)
SE0003	10 to 15V.	10mA. typ. (@12V.)

*Signal device operating voltage = supply voltage.



Data	List No.	SE0010	SE0001, SE0002, SE0003
Terminations:		PC Spills.	PC Spills.
Supply Voltage:		Low voltage d.c. 4.5 to 12V.	Low voltage d.c. (see table).
Switching Frequency:			30 cycles/min. 50% duty cycle.
Max. Load Current:			SE0001 & SE0002 0.5A. SE0003 3A.
Output:		2kHz square wave. 5.6V peak to peak (subject to input voltage limitation).	
Operating Temp. Range:		0-40°C.	0-40°C. (SE0003 Heatsink not isolated).
Materials:			
Body		ABS	ABS
Filler:		Urethane Resin.	Urethane Resin.
Spills:		Copper, Solder Coated.	Copper, Solder Coated.



I
N
D
I
C
A
T
O
R
S

