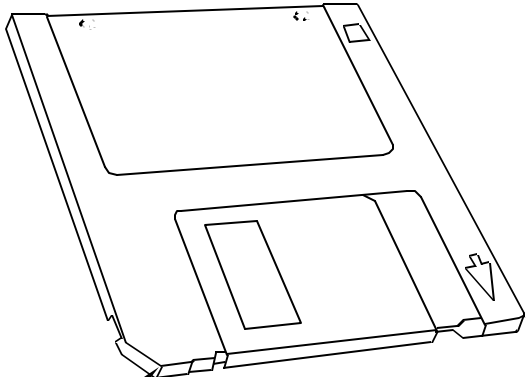


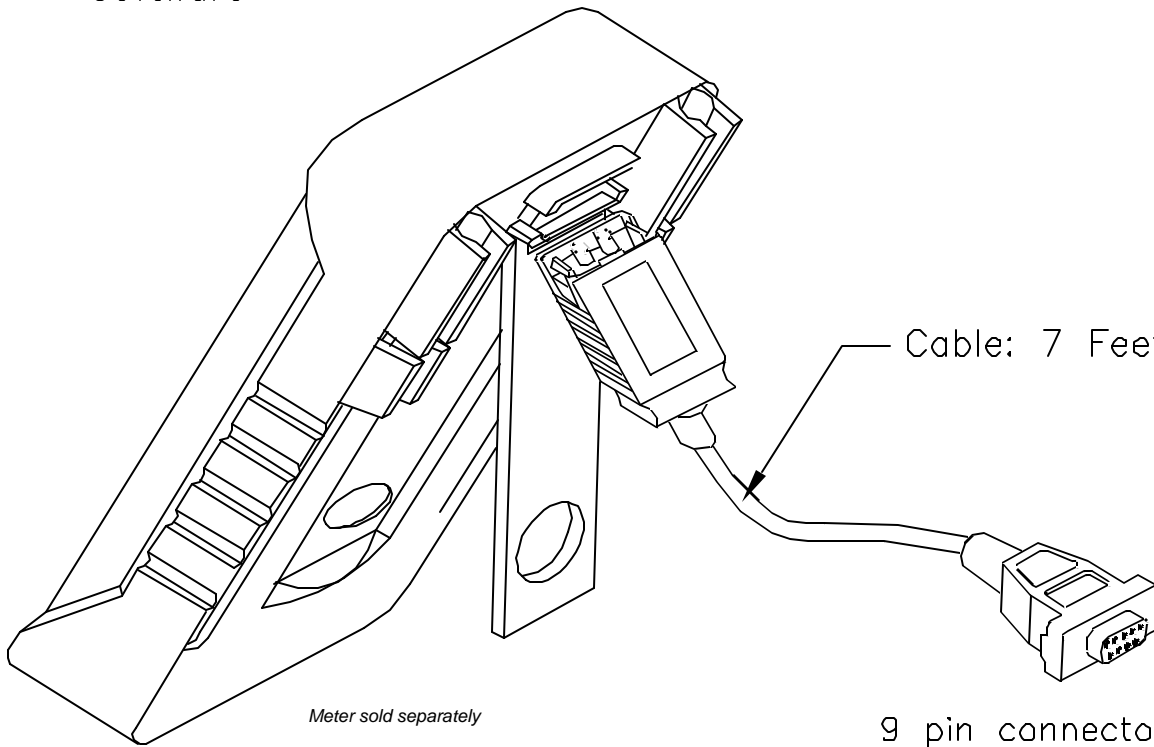
ALL RIGHTS RESERVED. NO PORTION OF THIS PUBLICATION, WHETHER IN WHOLE OR IN PART CAN BE REPRODUCED WITHOUT THE EXPRESS WRITTEN CONSENT OF SPC TECHNOLOGY.

REVISIONS			DOC. NO. SPC-F004 * Effective: 12/21/00 * DCP No: 680					
DCP #	REV	DESCRIPTION	DRAWN	DATE	CHECKD	DATE	APPRVD	DATE
430	A	RELEASED	JWM	01/12/01	JC	1/22/01	DJC	1/24/01



Software

This Communication Package (software and cable) provides meter 72-6665 with the ability to communicate directly with a PC. The software allows measurement data to be recorded, filed, and printed out.



Cable: 7 Feet Long

Meter sold separately

9 pin connector to COM 1 or COM 2

SPC-F004.DWG

**DISCLAIMER:**  
ALL STATEMENTS AND TECHNICAL INFORMATION CONTAINED HEREIN ARE BASED UPON INFORMATION AND/OR TESTS WE BELIEVE TO BE ACCURATE AND RELIABLE. SINCE CONDITIONS OF USE ARE BEYOND OUR CONTROL, THE USER SHALL DETERMINE THE SUITABILITY OF THE PRODUCT FOR THE INTENDED USE AND ASSUME ALL RISK AND LIABILITY WHATSOEVER IN CONNECTION THEREWITH.



UNLESS OTHERWISE SPECIFIED, DIMENSIONS ARE FOR REFERENCE PURPOSES ONLY.	DRAWN BY:	DATE:	DRAWING TITLE:			
	Jeff McVicker	1/12/01	RS-232 Communications Package			
	CHECKED BY:	DATE:	SIZE	DWG. NO.	ELECTRONIC FILE	REV
	JOHN COLE	1/22/01	A	72-6667	91B1703.dwg	A
APPROVED BY:	DATE:	SCALE:	U.O.M.:	SHEET:		
Daniel Carey	1/24/01	NTS	INCHES [mm]	1 OF 1		