

tyco

Electronics

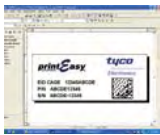
Unique Identification Program (UID)



What is Unique Identification?

The UID program is designed by the Department of Defense (DoD) to enhance total asset visibility, improve lifecycle item management and accountability, and enable clean financial audits.

UID DataMatrix is a globally unique and unambiguous mark that ensures data integrity and data quality throughout its life and supports multi-faceted business applications and users. The technology used to mark an item is the 2D DataMatrix ECC 200 Symbol.



Design

- Tyco Electronics software & hardware (printers, ribbons) are capable of producing a high quality UID mark on Tyco Electronics labels and cable identification products. PrintEasy is powerful label design and printing software with DataMatrix capability and several enterprise database connectivity options for your UID printing and storage needs.



Print

- The Tyco Electronics T300 Series and T400 Series thermal transfer printer range is specially designed to print on specialty label and cable identification products. These high performance, heavy duty printers provide crisp, high quality DataMatrix marks for your UID applications.



Read

- DataMatrix symbols require a special 2 dimensional reader. Ordinary linear barcode scanners cannot read DataMatrix symbols used in UID. Tyco Electronics offers both standard (BSC-200) and high resolution (VLD-100) two dimensional readers.



Validate

- To validate that construction of the UII string is correct per the MIL spec, Tyco Electronics offers validator products. The VLD-100 validator is a simple point and shoot imager that validates UII constructs. Simply scan the DataMatrix mark and know if the encoded information is to the spec or not!



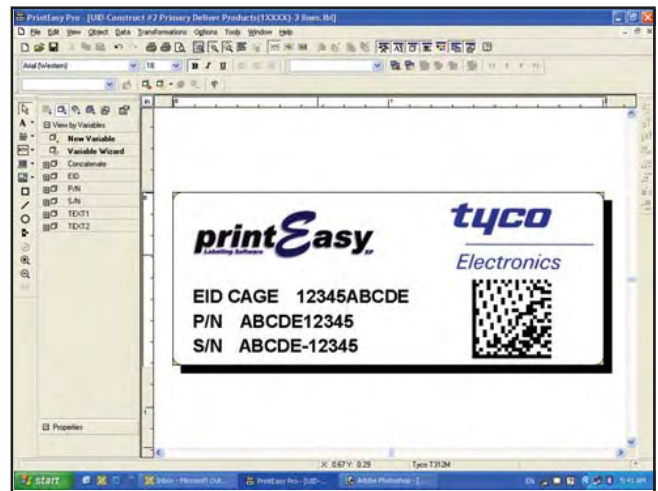
Verify

- To conform to quality standards called out in the MIL specifications, Tyco Electronics offers fixed mount verifiers that grade the UID code for its quality conformance. Detailed UID reports with the barcode pictures can be archived for future reference.

Design

Tyco Electronics PrintEasy software is powerful yet easy to use Windows based label design and printing software. With PrintEasy software, you can quickly and easily combine 2D DataMatrix text and graphics into professional quality labels. Carefully organized menus and pop-up dialogs display all your options in plain, easy to understand words.

The true WYSIWYG display allows you to create and view your labels with precision, giving you total control over your labels' appearance before printing. PrintEasy software is ideal for use with the Tyco Electronics range of thermal transfer printable pressure sensitive label products. PrintEasy software is pre-loaded with all of Tyco Electronics standard thermal transfer label templates, which allows you to simply select the Tyco Electronics part number you want to print and you are ready to go.



Features

- Support for 2D Datamatrix code, unlimited width & height
- Easy entry of special and unprintable control characters
- Excellent database connectivity options including Microsoft ODBC support including: Access, Btrieve, dBase, Excel, Oracle, Paradox, Clipper, FoxPro, Interbase, ASCII text files, SAP (mySAP.com and R/3)
- Variety of functions including concatenate, sequentially numbered variables and support for custom programming including visual basic scripting
- Minimum recommended computer configuration:

Computer:	IBM compatible PC
Processor:	Intel Pentium processor, 200 MHz minimum
Ram:	64 MB
Operating System:	32-bit Windows 95, 98, ME, NT (Service Pack 6), 2000 or XP
Disk Space Required:	50 to 205B free hard disk space (depending on edition used and options)
Format:	CDROM

Print

T312M & T312S Series High Performance, Cost Effective Thermal Transfer Printers



The T300 series printers are high performance, yet cost effective thermal transfer printers with a 4.1" printhead. The rugged and durable metal construction makes them suitable for demanding industrial and commercial environments. The enhanced memory and 32 bit processor provide fast data processing and print speeds. Optional accessories are available for added convenience and efficiency.

The 300 dpi printhead on the T312M and T312S produces crisp, high quality text, barcodes and graphic images on Tyco Electronics thermal transfer printable cable identification and labeling products.

Printer Specifications

Print head width	104mm (4.09")
Print head resolution	T312M/T312S*: 12dpm (305 dpi)
Print speed (maximum)	T312M/T312S: 203mm/sec (8 inch/sec)
Media sensor	Transmissive - adjustable Reflective (fixed)
Memory	T312M/T312S: 6MB DRAM and 2MB Flash
Communication interface	Bi-directional parallel (Centronics) and serial (RS232)
Printer dimensions	T312M/T312S: 283mm W x 495mm D x 394mm H (11.2" W x 19.5" D x 15.5" H)
Printer weight	T312M/T312S: 25kg (55 lbs)
Shipping weight	T312M/T312S: 29kg (63 lbs)

Media Specifications

Maximum print width	104mm (4.09")
Maximum media width	114mm (4.48")
Minimum media width	T312M/T312S: 20mm (0.76")
Maximum media roll dia.	203mm (8.0")
Media core diameter	76mm (3.0")
Ribbon wind	Ink side out

Product Order Code

T312M-PRINTER
T312M-R-PRINTER
T312S-PRINTER
T312S-C-PRINTER
T312S-R-PRINTER

Description

T312M thermal printer - standard
T312M thermal printer - internal rewind option
T312S thermal printer - standard
T312S thermal printer - cutter option
T312S thermal printer - internal rewind option

T424 Series High Performance & High Speed Thermal Transfer Printer

Printer Specifications

Print head width	T424S*: 81mm (3.2")
Print head resolution	T424S*: 23.5dpmm (600 dpi)
Print speed (maximum)	T424S: 102mm/sec (4inch/sec)
Media sensor	Transmissive and reflective Reflective (fixed)
Memory	16MB SDRAM and 4MB Flash
Communication interface	Bi-directional parallel (Centronics), serial (RS232), and USB 2.0
Printer dimensions	T424S*: 263.5mm W x 495.3mm D x 393.7mm H (10.37" W x 19.5" D x 15.5" H)
Printer weight	T424S*:22.7kg (50 lbs)
Shipping weight	T424S*: 27kg (59 lbs)

Media Specifications

Maximum print width	T424S*: 81mm (3.2")
Maximum media width	T424S*: 114mm (4.5")
Minimum media width	T424S*: 20mm (0.76")
Maximum media roll dia.	203mm (8.0")
Media core diameter	76mm (3.0")
Ribbon wind	Ink side out

Product Order Code

T424S-PRINTER

Description

T424S thermal printer - standard*

*Not available in Europe, Middle East or Africa



The T424 Series printers are high performance thermal transfer printers suitable for a variety of mission critical applications.

With the highest print resolution of 600 dpi, the T424S produces unmatched quality of crisp, high quality text, barcodes and graphic images in a limited space - ideal for printing linear and DataMatrix codes on Tyco Electronics thermal transfer printable pressure sensitive label products.

Read



BSC-200 Hand Held Imager

Basic Imager for Bar Codes and 2D Symbols

The BSC-200 imager is a portable hand held solution for reading both linear bar codes and 2D symbols. The BSC-200 reads a wide range of bar code symbols created from a variety of printing and marking methods.

- **Read Area:**

The BSC-200 imager's advanced "dual decode zone" technology allows the user to easily capture 2D symbols and linear bar codes at varying distances from 2 to 20" (50.8 to 508mm). This wide read area allows the symbols to be decoded fast and reliably.

Fast processing speeds also add to the BSC-200's ability to acquire and decode multiple symbologies, with no adjustment of the imager required.

- **Ease of use:**

BSC-200 imagers feature point-and-click targeting with a red laser spot to quickly center the symbol in the field of view. Beeper, vibrator and multi-purpose LEDs provide real-time feedback to signal successful decoding.

- **Applications:**

The BSC-200 imager is a strong reading solution for applications needing to read linear bar codes and 2D symbologies with a portable handheld device.

- **System Integration:**

BSC-200 imagers are available in 2 configuration options:

- Batch: A wireless way to collect thousands of decoded symbols for later download, capable of performing more than 4000 reads from a single battery charge and buffers a minimum of 1 MB of data in nonvolatile memory. (battery purchased separately)
- Cabled: Cabled units include USB, RS-232. (RS-232 available through the purchase of optional connector kit - contact Tyco Electronics)

- **Symbologies:**

The BSC-200 automatically discriminates between all major 2D matrix and linear bar code symbologies, and offers time stamp capabilities for logging data. Symbologies include:

- **2D Symbologies:**

- MaxiCode
- Aztec Code
- QR Code
- Data Matrix (ECC 200)

- **Stacked Symbologies:**

- UCC Composite
- PDF417 (with Macro support)
- Micro PDF417

- **Linear Bar Codes:**

- Codabar
- GoCode
- RSS
- Code 128
- UPC/EAN/JAN
- Codablock F
- Code 93
- Code 39
- Standard postal codes
- Int 2 or 5

- **BSC-200 Accessories:**

- Long-life 1300 mA lithium-ion battery
- Two-bay battery charger
- RS-232 kit

SPECIFICATIONS & OPTIONS:

Imager Mechanical:

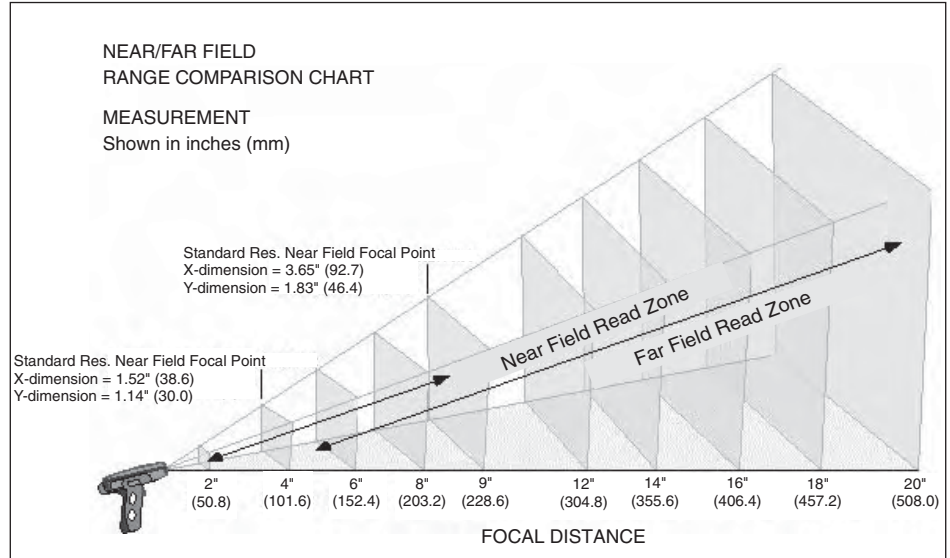
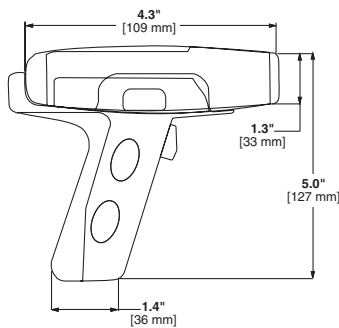
Height: 1.3" [33 mm]
 Width: 1.8" [46 mm]
 Depth: 4.3" [109 mm]
 Weight: 2.5 oz. [71.5 g]
 not including cable

Handle Mechanical:

Height: 3.8" [96.5 mm]
 Width: 1.2" [30 mm]
 Depth: 1.4" [36 mm]
 Weight: 1.2 oz. [59.8 g]

Additional Physical Characteristics:

Battery Weight: 2.1 oz. [59.5 g]
 Battery Blank: .5 oz. [13.6 g]
 Cable Length: 6' [1.8 m]



Read Ranges, Standard Resolution

Narrow Bar-Width	Read Range Distance
.0075" [191 mm]	3.2 to 3.9" [81 to 99 mm]
.015" [381 mm]	3.0 to 9.0" [76 to 229 mm]
.020" [508 mm]	3.0 to 11.5" [76 to 292 mm]

Field of View, Standard Resolution

Distance	Decode Zone
inches [mm]	(1024 x 640 pixel, Default)
Near: 4" [101.6]	1.52x1.14 [38.6 x 30 mm]
Far: 9" [228.6]	3.65 x 1.83" [92.7x 46.4mm]

Environmental:

Operating Temperature:
 0° to 40°C [32° to 104°F]
 Storage Temperature:
 -20° to 60°C [-4° to 140°F]
 Humidity:
 5 to 90% (non-condensing)

CE Standards:

Immunity: EN55024
 ESD: EN61000-4-2
 Radiated RF: EN61000-4-3
 Keyed Carrier: ENV50204
 EFT: EN61000-4-4
 Conducted RF: EN61000-4-6
 Emissions: EN55022, Class B
 Radiated, Class B Conducted

Symbology Types

Linear Bar Codes	
Code 39	Code 128
12 of 5	Codabar
UPC/EAN	Codablock F
Go Code	RSS
Code 93	PLANET
PostNet	KIX Code
Postal Codes (Japan, Australia)	

2D Symbologies	
Data Matrix (ecc 200)	MaxiCode
Aztec Code	QR Code

Stacked Symbologies	
PDF417	UCC Composite
Micro PDF417	

Light Collection Options:

Sensor: CMOS, progressive scan,
 1,33 MP (1024 by 1280) 256 gray scale
 Field of View:
 Near: 21.5° horizontal by 16.2° vertical
 Far: 22.9° horizontal by 11.6° vertical
 Standard Resolution Focal Point:
 Near: 4" [101.6 mm]
 Far: 9" [228.6 mm]
 Sensor Array:
 Near field: 1024 by 640
 Far field: 1024 by 640

Communication Protocols

Standard Interface: USB
 Optional interface: RS-232

Indicators:

Statue Indicators: Memory status,
 Battery power, Successful decode,
 and Connection Status
 Programmable Indicators:
 Beeper or Vibrate option;
 communicates scanner operation and
 communication functions to user

Image Output Options:

Format: JPEG, Raw
 (uncompressed)
 Time Stamp: Interval logging

Read Parameters

Pitch: ±60° (front to back)
 Skew: ±60°
 Tilt: 360°
 Focal Range: 4 to 20 [102 to 508 mm]
 Rotational Tolerance: ±180°
 Print Control Resolution: 25% (bar
 codes); 35% (PDF417); absolute
 dark/light reflectance differential,
 measure at 650 nm.
 Target Beam: Visible Laser Diode at
 630 nm, Class 2
 Ambient Light Immunity:
 Sunlight: up to 9,000 ft. candles 96,890
 lux
 Shock: Withstands multiple drops of
 6.5' (2 meters) to concrete

Electrical:

Power Requirements: 5 VDC (mA)
 Typical: 310 Peak: 310 Sleep: 3

Safety Certifications:

Designed for: FCC, CE

ISO Certification:

Issued by RWTÜV, USA Inc.
 ISO 9001:2000 - Cert. No. 03-1212

Validate



VLD-100 Hand Held Imager/Validator

The VLD-100 Imager/Validator is optimized to read both linear bar codes and 2D symbols. It is an aggressive hand held imager/validator for decoding symbols on low contrast substrates such as metal, plastic, rubber, polyester, vinyl, Kapton, polyvinyl fluoride and glass. The VLD-100 can read marking methods such as dot peen, thermal transfer and laser/chemical etch. Containing custom optics and Tyco Electronics' decode algorithms, the VLD-100 combines the decoding power of Tyco Electronics' popular smart camera, VRF-100, into a portable hand held device.

- **Optical Options:**

The VLD-100 hand held imager/validator is available in:
- The high resolution version is custom designed to optimize resolution for reading small 2D symbols.

- **LightRay Optics Accessory:**

Tyco Electronic's LightRay Optics solution further enhances its ability to read directly marked parts. By directing the illumination toward the symbol at off-axis angles, the LightRay Optics increase symbol contrast and filters out texture noise. The LightRay Optics are designed so that it is positioned at the correct focal distance and angle. No training is needed to find the best angles for reading low contrast symbols. Either optical accessory easily attaches on to the end of the VLD-100. Two options are available: the LightRay Optics 100 Series and the LightRay Optics 200 Series.



LightRay Optics 100 Series
generates off-axis diffuse
illumination



LightRay Optics 200 Series
generates dark field
illumination

- **Ease of Use:**

The VLD-100 features point-and-click targeting with a red laser spot to quickly center the symbol in the field of view. Beeper, vibrator and multi-purpose LEDs provide real-time feedback to signal successful decoding.

- **Applications:**

The VLD-100 provides outstanding performance validating challenging 2D codes.

Automotive and Aerospace: reads codes marked on steel, iron, aluminum, rubber, and glass parts by laser etch, dot peen, metal stamp, and thermal transfer products.

Electronics: reads codes laser etched on printed circuit boards and components.

Department of Defense: reads UID codes on a variety of substrates. Software enables it to validate ULL code format for suppliers and constructs the UID string for DoD operators

- **System Integration:**

All Tyco Electronics imagers are available in 2 configuration options:

- Batch: A wireless way to collect thousands of decoded symbols for later download, capable of performing more than 4000 reads from a single battery charge and buffer a minimum of 1 MB of data in non-volatile memory.
- Cabled: Cabled units include USB, RS-232.
(RS-232 available through the purchase of optional connector kit - contact Tyco Electronics)

- **Symbologies:**

The VLD-100 imager/validator reads all standard linear bar codes plus:

2D Symbologies:

- Data Matrix (ECC 0200)
- MaxiCode

- QR Code
- Aztec Code

Stacked Symbologies:

- UCC Composite
- Micro PDF417

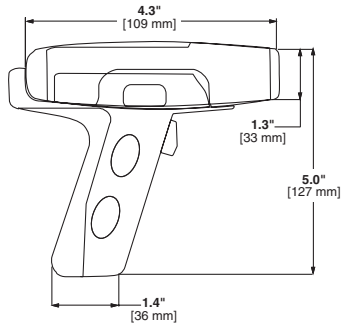
- PDF417 (Macro Support)

SPECIFICATIONS AND OPTIONS:

- Imager Mechanical:**
 Height: 1.3" [33 mm]
 Width: 1.8" [46 mm]
 Depth: 4.3" [109 mm]
 Weight: 2.5 oz. [71.5 g]
 not including cable

- Handle Mechanical:**
 Height: 3.8" [96.5 mm]
 Width: 1.2" [30 mm]
 Depth: 1.4" [36 mm]
 Weight: 1.2 oz. [59.8 g]

- Additional Physical Characteristics:**
 Battery Weight: 2.1 oz. [59.5 g]
 Battery Blank: .5 oz. [13.6 g]
 Cable Length: 6' [1.8 m]

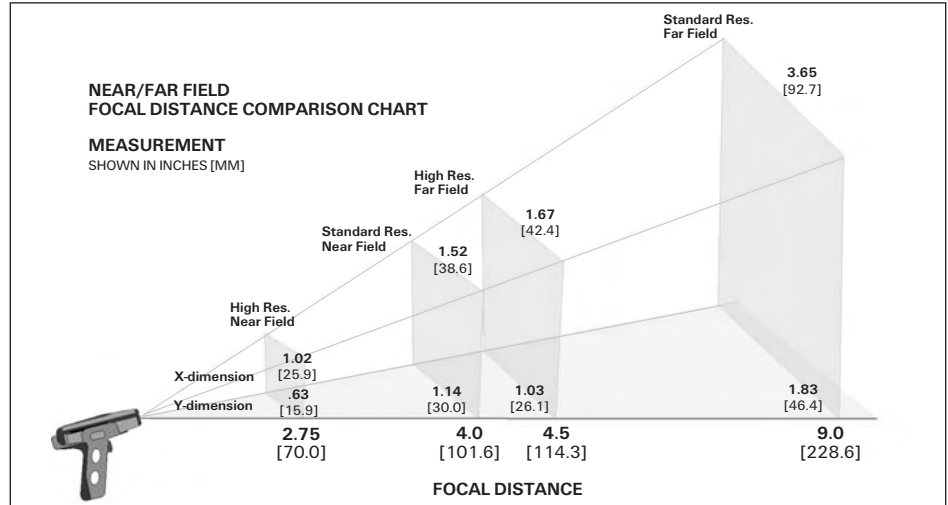


- Environmental:**
 Operating Temperature:
 0° to 40°C [32° to 104°F]
 Storage Temperature:
 -20° to 60°C [-4° to 140°F]
 Humidity: 5 to 90% (non-condensing)

- CE Standards:**
 Immunity: EN55024
 ESD: EN 61000-4-2
 Radiated RF: EN61000-4-3
 Keyed Carrier: ENV50204
 EFT: EN61000-4-4
 Conducted RF: EN61000-4-6
 Emissions: EN55022, Class B Radiated,
 Class B Conducted

- Symbology Types**
 Linear Bar Codes: Code 39, Code 128,
 12 of 5, RSS, UPC/EAN, Codabar,
 Codablock F, Go Code, Code 93,
 PLANET, PostNet, KIX code, Postal
 Codes
 Stacked Symbologies: PDF 417, UCC
 Composite, Micro DF417
 2D Symbologies: Data Matrix,
 MaxiCode, Aztec Code, QR Code
 Note: VLD mode decodes Data Matrix
 ECC 0-200 and QR code only.
 Basic model decodes Data Matrix ECC
 200 plus all other listed symbologies.

- Indicators:**
 LED Indicators: Memory status, Battery
 power, Successful decode, and
 Connection Status
 Programmable Indicators: Beeper or
 Vibrate option; communicates scanner
 operation and communication functions
 to user



Read Ranges, High Resolution

Narrow Bar-Width	Read Range Distance
.005" [.127 mm]	1.75 to 4" [44.4 to 101.6 mm]
.0075" [.191 mm]	1.75 to 4" [44.4 to 101.6 mm]
.010" [.254 mm]	1.75 to 4.75" [44.4 to 120.6 mm]
.015" [.381 mm]	1.75 to 6" [44.4 to 152.4 mm]
.020" [.508 mm]	1.75 to 6.5" [44.4 to 165.1 mm]

Read Ranges with LightRay Optics

LightRay Options	Read Range Distance
LightRay 100 Series	Contact to .25" [6.35 mm]
LightRay 200 Series	Contact to .25" [6.35 mm]

Image Output Options:

- Format: JPEG, Raw (uncompressed)
- Time Stamp: Interval logging

Light Collection Options:

- Sensor: CMOS, progressive scan, 1.33 MP (1024 by 1280) 256 gray scale
- High Resolution Field of View:
Near and Far: 21° horizontal by 13° vertical
- High Resolution Focal Point:
Near: 2.75" (70 mm) Far: 4.5" (115 mm)
- Sensor Array:
Near Field: 1024 by 640 (default)
Far Field: 1024 by 640 (default)

Communication Protocols:

- Standard Interface: USB
- Optional Interface: RS-232

Electrical:

- Power Requirements: 5 VDC (mA)
- Typical: 310 Peak: 310 Sleep: 3

Safety Certifications:

- Designed for: FCC, CE

ISO Certification:

- Issued by RWTÜV, USA Inc.
- ISO 9001:2000 - Cert. No. 03-1212

High Resolution, Near Field of View

Distance inches [mm]	Field of View Size (1024 x 640 pixel, Default)
2" [50.8]	.74" x .46" [18.8 x 11.6 mm]
2.5" [63.5]	.93 x .57" [23.5 x 14.5 mm]
2.75" [69.9]	1.02 x .63" [25.9 x 15.9 mm]
3" [76.2]	1.11 x .68" [28.3 x 17.4 mm]
3.5" [88.9]	1.30 x .80" [33.0 x 20.3 mm]
4" [101.6]	1.48 x .91" [37.7 x 23.2 mm]

High Resolution, Far Field of View

Distance inches [mm]	Field of View Size (1024 x 640 pixel, Default)
2" [50.8]	.74" x .46" [18.8 x 11.6 mm]
2.5" [63.5]	.93 x .57" [23.5 x 14.5 mm]
3" [76.2]	1.11 x .68" [28.2 x 17.4 mm]
3.5" [88.9]	1.30 x .80" [32.9 x 20.3 mm]
4" [101.6]	1.48 x .91" [37.6 x 23.2 mm]
4.5" [114.3]	1.67 x 1.03" [42.4 x 26.1 mm]
5" [127]	1.85 x 1.14" [47.1 x 28.9 mm]
5.5" [139.7]	2.04 x 1.25" [51.8 x 31.8 mm]
6" [152.7]	2.22 x 1.37" [56.5 x 34.7 mm]
6.5 [165.1]	2.41 x 1.48" [61.2 x 37.6 mm]

Field of View, LightRay Optics

LightRay Options	Field of View Size
LightRay 100 Series	Small Cir. .75" [19.1 mm]*
LightRay 200 Series	Small Cir. .75" [19.1 mm]*

*Large Circular TBD

Read Parameters

- Pitch: ±60° (front to back)
- Skew: ±60° Tilt: 360°
- Focal Range: 1 to 20 [25 to 508 mm]
- Rotational Tolerance: ±180°
- Print Control Resolution: 25% (bar codes); 35% (PDF417); absolute dark/light reflectance differential, measure at 650 nm.
- Target Beam:
Visible Laser Diode at 630 nm, Class 2
Ambient Light Immunity: Sunlight: up to 9,000 ft. candles 96,890 lux
Shock: Withstands multiple drops of 6.5' (2 meter) to concrete

Verify



VRF-100 Production Ready Data Matrix Verifier

The VRF-100 is an ISO/IEC 15415 and AS9132-compliant Data Matrix verifier for use in production environments. The ISO/IEC 15426-2 is a certified Data Matrix verifier that helps to ensure that your marks will be verified accurately every time.

Unlike most verifiers that are mounted on stands designed for the lab environment, the VRF-100 Verifier is a fully-contained, compact device that is easy to integrate into the production environment. The VRF-100 Verifier is factory-calibrated to specific traceability standards with a fully-contained housing, making it easy to integrate into existing applications. No on-site calibration of optics or lighting is needed to verify marks with the Verifier. Simply present the part to the Verifier, trigger, and receive the symbol quality report.

- **Production-Ready**

It is the first 2D verifier designed specifically for use in a production environment. Its compact, lightweight design makes the Verifier easy to integrate into production processes. A self-contained, factory-calibrated system with flexible mounting allows the Verifier to be adapted to any application quickly and easily.

- **Calibrated System**

It provides the user with a ready-to-use, ISO/IEC 15426-2 calibrated system. Simply present the part, trigger, and the Verifier will output the results. The user is not required to focus the optics, set the light angles. Fixed optics and pre-set illumination angles make the verifier consistent, reliable and accurate.

- **Illumination Chamber**

The Verifier's fully-enclosed illumination chamber provides the controlled lighting environment for accurate, repeatable verification. The chamber is specifically engineered to produce the illumination angles required by the ISO/IEC 15415 standard.

- **VRF Software**

Offers complete symbol verification reports

- **ISO/IEC 15426-2 Certified**

The Verifier is ISO/IEC 15426-2 certified. It is precisely engineered to meet rigorous verification standards, ensuring accurate and consistent verification.

- **ISO/IEC 15415 Compliant**

The Verifier provides verification of 2D symbols for parameters:

- | | |
|---------------------------|-------------------------------|
| - Symbol contrast | - Fixed pattern damage |
| - Modulation | - Reference decode algorithms |
| - Axial non-uniformity | - Unused error correction |
| - Grid non-uniformity | |
| - Print growth (ungraded) | |

- **AS9132**

Verifies Data Matrix symbols in accordance with the parameters called out in the AS9132 standard:

- | | |
|---------------------|-----------------------|
| - Quiet Zone | - Dot ovality |
| - Cell fill | - Contrast |
| - Dot center offset | - Angle of distortion |
| - Symbol type | |

- **MIL STD 130**

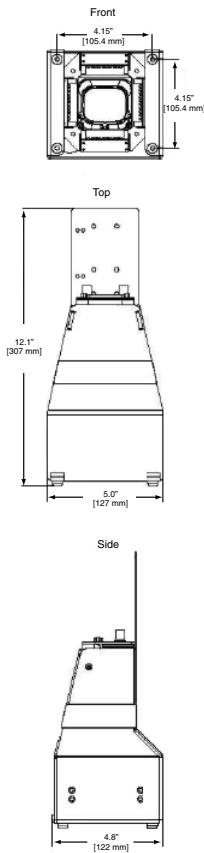
Requires verification of Data Matrix symbols to both ISO/IEC 15415 and AS9132 standards as required by the MIL STD 130 specification.

VRF-100 Production Ready Data Matrix Verifier

SPECIFICATIONS AND OPTIONS:

• Mechanical:

Height: 12.1" [307 mm]
Width: 5.0" [127 mm]
Depth: 4.8" [122 mm]



• Environmental:

Operating Temperature:
40°C [104°F] Max.

(if mounted on non-metal surface)

Storage Temperature:
-50° to 75°C [58° to 167°F]

Humidity:
Up to 90% (non-condensing)

• Emissions/Immunity:

ITE Disturbances: EN55022, 1998
(radiated and conducted), Class A

General Immunity:
EN55024: 1998 (residential)

Heavy Industrial Immunity:
EN61000-6-2:1999

• Light Source:

Type: High output LEDs
External: (45°, 30°): 660 nM

• Light Collection:

CCD Array: 659 x 494 pixels

• Symbology:

Data Matrix (ECC 0-200)
Linear Bar Codes
Stacked Bar Codes



Pin. No.	Host RS232	Host & Aux RS232	Ethernet	In/Out
1		Chassis ground ^a		
2		TxD		Out
3		RxD		In
4	RTS	TxD		Out
5	CTS	RxD		In
6		Output 1 (+)		Out
7		Signal Ground ^b		
8		Output 2 (+)		Out
9		Trigger (-)		In
10		Trigger (+)		In
11		Default configuration ^c		In
12		Input 1 (+)		In
13			RxD (+)	In
14			RxD (-)	In
15		Output 3 (+)		Out
16			TxD (-)	Out
17		Power Ground ^d		
18		Power +10 to 28 VDC		In
19			TxD (+)	Out
20		Output 1 (-)		Out
21		Output 2 (-)		Out
22		Output 3 (-)		Out
23		Input 1 (-)		In
24		New master (-)		In
25		New master (+)		In

^aChassis ground: used to connect chassis body to earth ground only. Not to be used as power or signal return.

^bSignal ground: Used for communication and signal line grounds only. Not to be used as power or chassis return.

^cThe default is activated by connecting pin 11 to ground pin 7.

^dPower ground: Used for power return only.

Caution: If using your own power supply, verify correct connection of power and ground lines. Incorrect connections or use of "Chassis ground", "Power ground", and "Signal ground" lines could cause equipment or software failure.

• Symbol Verification Parameters:

Max Characters: 78

• Verification Standards:

ISO/IEC15415 (2D), AS9132

• Video Input (Option):

Signal System: Progressive scan
No. of Scanning Lines:
525 lines/non-interlaced
Input: Analog 1 Vp-p

• Video Output (Option):

Signal Systems: EIA
No. of Scanning Lines: 525 lines / 2:1 interlaced
Output: Analog 1 Vp-p /75 ohm

• Indicators:

LEDs: Read Performance, Power, Read Status, and Network Status
Beeper

• Communication Protocols:

Interface: RS-232, Ethernet

• Electrical:

Power Requirements:
Input, 10 to 28 VDC, 200 mV p-p max. ripple, 270 mA at 24 VDC (typ. CMOS), 333 mA at 24 VDC (typ. CCD)
Trigger, New Master, Input 1: (Optoisolated) 5 to 28 VDC rated, (12 mA at 24 VDC)
Outputs 1/2/3: (Optoisolated) 1 to 28 VDC rated, (I_{CE} < 100mA at 24 VDC, current limited by user).

• Safety Certifications:

Designed for: FCC, CE, cUL, UL

• ISO Certification:

Issued by RWTÜV, USA Inc.
ISO 9001: 2000 - Cert No. 03-1212
ISO/IEC 15426-2

USA

Tyco Electronics
76 Commercial Way
East Providence, RI 02914
Phone: +1-800-430-7226
Fax: +1-888-430-6867

Tyco Electronics Corporation
300 Constitution Drive
Menlo Park, CA 94025
Phone: +1-650-361-3333
Fax: +1-650-361-2189
Tech Support: 1-800-522-6752

Germany

Tyco Electronics idento GmbH
Paul-Ehrlich-Strasse 23
D-63322 Roedermark
Phone: +49 (0) 60 74-89 08 0
Fax: +49 (0) 60 74-95843

United Kingdom

Tyco Electronics UK Ltd
Cheney Manor Industrial Estate
Swindon
Wiltshire SN2 2QE
Phone: +44 (0) 1793 528 171
Fax: +44 (0) 1793 572516

France

Tyco Electronics idento
BP 317 - ZI Comboire
F-38434 Echirolles Cedex
Phone: +33 (0) 4 76 09 99 34
Fax: +33 (0) 4 76 09 96 64

Australia (Sales Office)

Tyco Electronics Ply Limited
13 Hudson Avenue
Castle Hill NSW 2154
Phone: +61-2-9840-8200
Fax: +61-2-9899-5649

Asia (Sales Office)

Tyco Electronics
No. 26 Ang Mo Kia
Industrial Park 2
Singapore 569 507
Phone: +65 (0) 6482 0311
Fax: +65 (0) 6481 5514

Japan (Sales Office)

Tyco Electronics Raychem KK
3816 Nuborito Tama-ku
Kawasaki 214-8533
Phone: +81 (0) 44 900 5102
Fax: +81 (0) 44 5025 5027

With access to a huge range of product formats, world-leading material technologies and leading edge software/printer offerings, our application engineers can provide the most efficient solution possible to your on-site identification needs. Alternatively, let us deliver preprinted labels or markers directly to your factory. We can do the entire job from selecting the best material to managing your label design and data real-time.

Tyco Electronics has manufacturing facilities worldwide, equipped with a wide range of production processes. This broad manufacturing capability allows us to select the very best process for each

application and, hence, provide top quality products with fast and reliable delivery times. We are committed to industry-leading quality and service!

And with Tyco Electronics unparalleled worldwide reach you can be sure we will always be there with technical support and excellent logistics, no matter where you are located.

All the information contained herein, including illustrations, is believed to be reliable. Users, however, should independently evaluate the suitability of each product for their application. Tyco Electronics makes no warranties as to the accuracy or completeness of the information and disclaims any liability regarding its use. Tyco Electronics' only obligations are those in the Standard Terms and Conditions of Sale for all products and in no case will Tyco Electronics be liable for any incidental, indirect or consequential damages arising from the sale, resale, use or misuse of the products. Tyco Electronics Specifications are subject to change without notice. In addition Tyco Electronics reserves the right to make changes in materials or processing, without notification to the Buyer, which do not affect compliance with any applicable specification.

PrintEasy and Tyco are trademarks.

Other products, logos and company names mentioned herein may be trademarks of their respective owners.