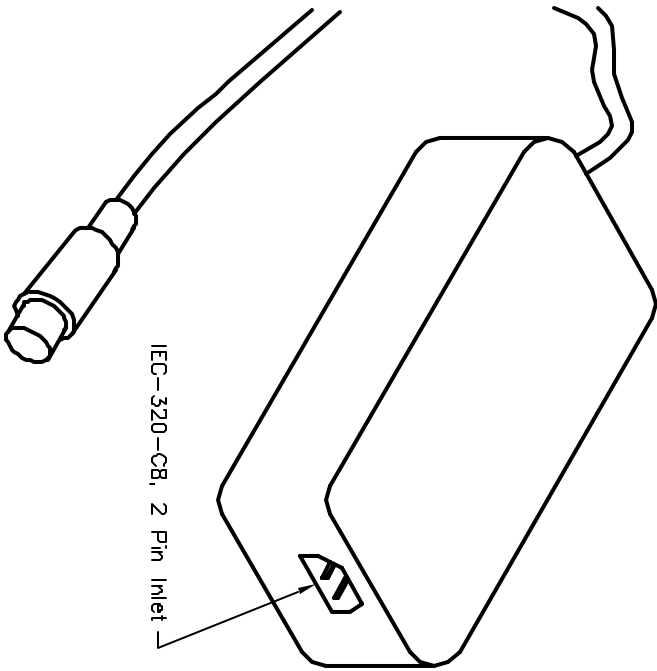


ALL RIGHTS RESERVED. NO PORTION OF THIS PUBLICATION, WHETHER IN WHOLE OR IN PART CAN BE REPRODUCED WITHOUT THE EXPRESS WRITTEN CONSENT OF SPC TECHNOLOGY.

SPC-F005L0W

REVISIONS			DOC. NO. SPC-F005 * Effective: 7/8/02 * DCP No: 1398			
DCP #	REV	DESCRIPTION	DRAWN	DATE	CHECKD	DATE
1814	A	Released	JWM	3/16/04	JN	03/27/08
						03/27/08

Size: 108mm (L) x 67mm (W) x 36mm (H)



Specifications

DC Output Voltage	+5V	+12V
Output V. Tolerance	±5%	±5%
Output Rated Current	2.5A	1.0A
Output Current Range	0.5-2.5A	0.1-1.0A
Ripple & Noise	50mVp-p	100mVp-p
Line Regulation	±1%	±1%
Load Regulation	±5%	±5%

- DC Output Power: 25W
- Efficiency: 70 %
- DC Voltage Adj: Fixed
- Input Voltage Range: 90-264VAC, 47-63Hz
- AC Current: 1A/230VAC
- Inrush Current: Cold Start <60A Peak/230VAC
- Overload Protection: Pulsing Mode, Reset, Auto-Recovery
- Over Voltage Protection: 110 %~140 %
- Temp Coefficient: ±0.03 %/°C (0-50°C)
- Setup, Rise, Hold-up-Time: 200ms, 50ms, 16ms
- Vibration: 10-500Hz, 2G 10min/1 Cycle, PERIOD FOR 60 Min. EACH AXIS
- Withstand Voltage: I/P-O/P: 3KVAC for 1 Min.
- Isolation Resistance: I/P-O/P: 500VDC / 100 Megohms minimum
- Operating Temp., Humidity: 0°C-30°C @ 100 % Load, 40°C @ 70 % Load, 20 %~90% RH
- Storage Temp., Humidity: -20°C ~ 85°C, 10 % ~ 95 % R.H.
- Safety Standards: CSA22.2, UL1950, EN60950 Approval
- EMC Standards: EN55022 Class B, EN61000-3-2,3, EN61000-4-2,3,4,5,6,8,11, EN55024 Verification
- Length of Output Cable: 150cm of AWM 2464x4C, with shielding
- DC Output Plug: DIN 5 Pin
- Weight: 0.3kg
- Short Circuit Protected
- Over Temp Protected

- Notes:
1. All parameters are specified at 230VAC input, rated Load, 25°C, 70 % RH ambient
 2. Tolerance include set up tolerance, line regulation, load regulation
 3. Ripple & noise are measured at 20MHz by using a 12" twisted pair
 4. Line regulation is measured from low line to high line at rated load
 5. Load regulation is measured from 0 % to 100% rated load

DISCLAIMER:
ALL STATEMENTS AND TECHNICAL INFORMATION CONTAINED HEREIN ARE BASED UPON INFORMATION AND/OR TESTS WE BELIEVE TO BE ACCURATE AND RELIABLE. SINCE CONDITIONS OF USE ARE BEYOND OUR CONTROL, THE USER SHALL DETERMINE THE SUITABILITY OF THE PRODUCT FOR THE INTENDED USE AND ASSUME ALL RISK AND LIABILITY WHATSOEVER IN CONNECTION THEREWITH.

TOLERANCES:

UNLESS OTHERWISE SPECIFIED, DIMENSIONS ARE FOR REFERENCE PURPOSES ONLY.

DRAWN BY:	DATE:	DRAWING TITLE:		SCALE:		SHEET:	
Jeff Mavliker	3/16/04	25W AC-DC Dual Output Desktop Power Supply		NTS		1 OF 1	
CHECKED BY:	DATE:	SIZE	DWG. NO.	ELECTRONIC FILE	REV		
Jason Nash	03/27/08	A	SPC11717	71C9119.dwg	A		
APPROVED BY:	DATE:						
Jason Nash	03/27/08						