

# OPTOTRONIC®

## Electronic Constant Current LED Power Supplies

### Power Supply Guide

OT3/120-240/350  
 OT9/100-120/350 E  
 OT9/10-24/350 DIM E  
 OT25/120-277/700 E  
 LED power supplies compatible with:  
 Hi-flux Constant Current LED Modules

### Key System Features

- Constant current output
- Small enclosure size
- UL Class 2 output
- Long life
- Short circuit and overload protection
- Remote mounting possible
- 9W & 25W models rated for outdoor, dry and damp locations

### Application Information

**OSRAM OPTOTRONIC** power supplies are ideally suited for:

- Boats, yachts and RVs
- Reading lights
- Spot lights
- Under-cabinet lights
- Shelf lighting
- Signs
- Compact installations
- Path and roadway marking
- Backlighting
- Step and seat marking
- Effect lighting
- Panel lighting
- Wall washing

OSRAM OPTOTRONIC Constant Current power supplies are compact, electronically stabilized and specially developed to operate the new hi-flux LED modules.

The OT25/120-277/700E, OT9/100-120/350E and the OT3/120-240/350 are designed for AC line voltage applications. The OT9/10-24/350DIM E is a dimmable driver designed for operation on DC supply systems.

OPTOTRONIC power supplies are protected against open circuit, short circuit, overload and overheating conditions. They are UL recognized and FCC compliant.



### System Information

OSRAM SYLVANIA has introduced a full line of LED modules (Light Emitting Diodes) and power supply products. As a result of the steady increase in their luminous efficiency, LEDs are becoming an attractive alternative in general lighting.

LED modules can be used in a wide variety of applications due to our variable module design, module geometries, and range of available colors.



The LEDs are available in many different configurations to meet the demands of these applications. For additional information about OSRAM LED systems, contact OSRAM SYLVANIA or visit [www.sylvania.com/LED](http://www.sylvania.com/LED).

## OPTOTRONIC LED Power Supplies (DC Output)

Item Number	Description	Nominal Input Voltage	Nominal Input Current (Amps)	Power Factor (@ 120V)	Output Current (mA)	Remote** Mounting	Location Rating	Dimming Range	Control Voltage
<b>AC Input</b>									
51524	OT3/120-240/350	120-240 (AC)	0.1A@120V	0.50	350	50 ft	Dry	N/A	N/A
51525	OT9/100-120/350 E	100-120 (AC)	0.18A@120V	0.50	350	32 ft	Dry+Damp	N/A	N/A
51527	OT25/120-277/700E	120-277 (AC)	0.5A@120V	0.92	700	32 ft	Dry+Damp	N/A	N/A
<b>DC Input</b>									
51526*	OT9/10-24/350 DIM E	10-24 (DC)	1.1A@10V 0.5A@24V	0.50	350	32 ft	Dry+Damp	100% to 0%	10V to 0V DC

\* Compatible with 51509-OT50/120-277/10E, 51512-OT20/120-240/24S, 51513-OT75/120/24, 51514-OT75/120-277/24E.

\*\*Although it is possible to exceed the remote mounting distances given, the installer and/or end user must take precautions to prevent and/or test the effects of EMI (electromagnetic interference).

### OT3 Case:

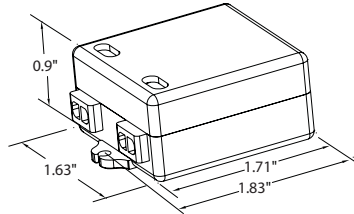
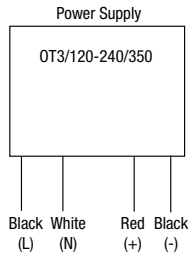
#### Packaging:

Quantity: 20 pieces/carton  
Weight: 0.1 lbs each (approx.)  
2 lbs/carton

#### Dimensions:

Overall: 1.71" L x 1.63" W x 0.90" H  
Mounting: 1.83"

\*Wiring: Leads only  
(6" 18AWG)



### OT9 Case:

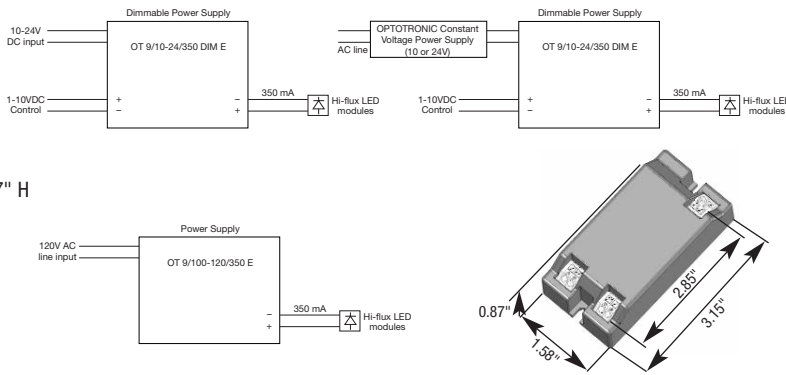
#### Packaging:

Quantity: 50 pieces/carton  
Weight: 0.11 lbs each (approx.)  
5.87 lbs/carton

#### Dimensions:

Overall: 3.15" L x 1.58" W x 0.87" H  
Mounting: 2.85"

\*Wiring: Connectors only  
(No leads provided). Use solid or tinned AWG 18 copper wire only



### OT25 Case:

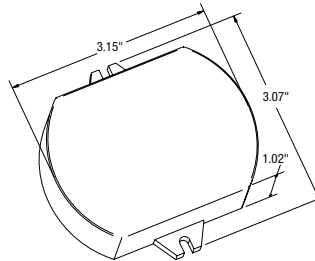
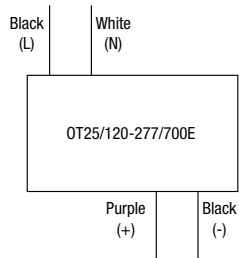
#### Packaging:

Quantity: 60 pieces/carton  
Weight: 0.46 lbs each (approx.)  
27.8 lbs/carton

#### Dimensions:

Overall: 3.07" L x 3.15" W x 1.02" H  
Mounting: 2.76"

\*Wiring: Leads only  
(6" 18AWG)



## Specifications

### UL Class 2 Outputs

#### Input Voltage Range:

OT3: 108 - 254 VAC  
OT9: 90 - 132 VAC  
OT25: 90 - 305 VAC

#### Input Frequency: 50/60Hz

Efficiency: 70% Typical

#### Ambient Temp. Range:

OT3: -20°C through +60°C  
OT9: -20°C through +50°C  
OT25: -30°C through +70°C

#### Max. Case Temp:

OT3 & OT9: 80°C  
OT25: 90°C



UL1310 and UL48 recognized for US & Canada. Class 2 unit (UL file# E220096, E245572, E248522)



OT9 is CSA approved

FCC 47CFR Part 15 compliant

OT3, OT9: Class A (commercial non-consumer)

OT25: Class B (residential)

RoHS compliant

### OT 9/10-24/350 DIM E

#### Input Voltage Range:

10 - 24 VDC

#### Ambient Temp. Range:

-20°C through +50°C

#### Max. Case Temp: 75°C

#### Dimming Range: 0 - 100%

#### Control Voltage: 0 - 10 VDC,

0.6 mA max. Use 0-10VDC controllers or 100K ohm potentiometer for dimming

For full light output performance no connections are required to the control input.

## System Life / Warranty

OPTOTRONIC LED Power Supply Products are covered by our LED system warranty, a comprehensive LED module and power supply system warranty. For additional details, refer to our latest version of the LED warranty bulletin.

## Ordering Guide

Item Number: 51525 OT 9/ 100-120/ 350 E  
 OPTOTRONIC  
 Output Wattage (9 watts)

Outdoor rated (E)  
 Output Current (DC)  
 Input Voltage (AC or DC - Model Specific)

OSRAM and OPTOTRONIC are registered trademarks of OSRAM GmbH. The System Solution and logo are registered trademarks of OSRAM SYLVANIA.