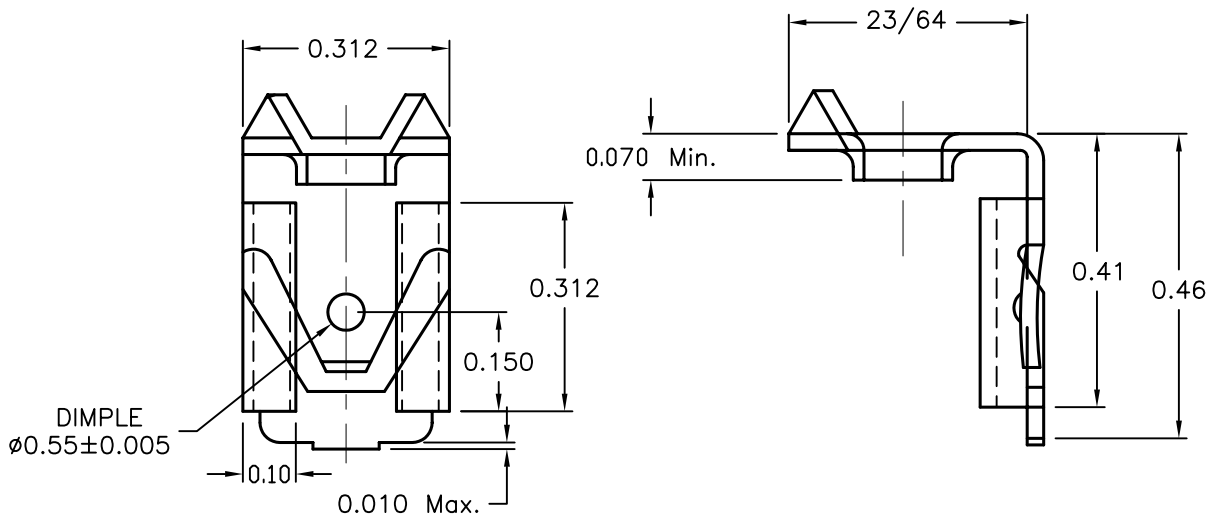
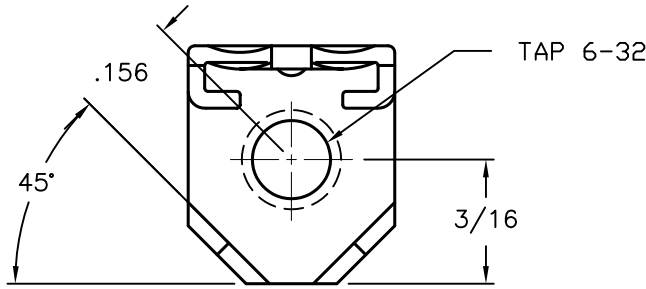


REVISIONS			DOC. NO. SPC-F004 * Effective: 7/8/02 * DCP No: 1398						
DCP #	REV	DESCRIPTION	DRAWN	DATE	CHECKD	DATE	APPRVD	DATE	
242	B	REDRAWN & UPDATED	DJC	4/12/99	JC	2/16/00	JC	2/16/00	
1879	C	Update To RoHS Compliant	BYF	12/26/05	HO	1/18/06	HO	1/18/06	



Min. Dim. TO CLEAR
0.253 X 0.033 MALE TAB

0.320 Max.
OVER CURL AREA

0.090 REF

SPECIFICATIONS:

- MATERIAL: 0.025 BRASS
- FINISH: MATT ACID TIN

SPC-F004.DWG

TOLERANCES: UNLESS OTHERWISE SPECIFIED. FRACTIONAL ± 1/2 DECIMALS XXX ± 0.005 ANGULAR ± 2° HOLE: ±0.003	DRAWN BY: J.C.	DATE: 9/5/91	DRAWING TITLE: Screw Mount Terminal, 0.250" Female Quick Disconnect, Right Angle			
	CHECKED BY:	DATE:	SIZE A	DWG. NO. FTL-2503-A-MT	ELECTRONIC FILE 50N465.DWG	REV C
	APPROVED BY:	DATE:	SCALE: NTS		U.O.M.: INCHES	
				SHEET: 1 OF 1		

ALL RIGHTS RESERVED. NO PORTION OF THIS PUBLICATION, WHETHER IN WHOLE OR IN PART CAN BE REPRODUCED WITHOUT THE EXPRESS WRITTEN CONSENT OF SPC TECHNOLOGY. DISCLAIMER: ALL STATEMENTS AND TECHNICAL INFORMATION CONTAINED HEREIN ARE BASED UPON INFORMATION AND/OR TESTS WE BELIEVE TO BE ACCURATE AND RELIABLE. SINCE CONDITIONS OF USE ARE BEYOND OUR CONTROL, THE USER SHALL DETERMINE THE SUITABILITY OF THE PRODUCT FOR THE INTENDED USE AND ASSUME ALL RISK AND LIABILITY WHATSOEVER IN CONNECTION THEREWITH.