



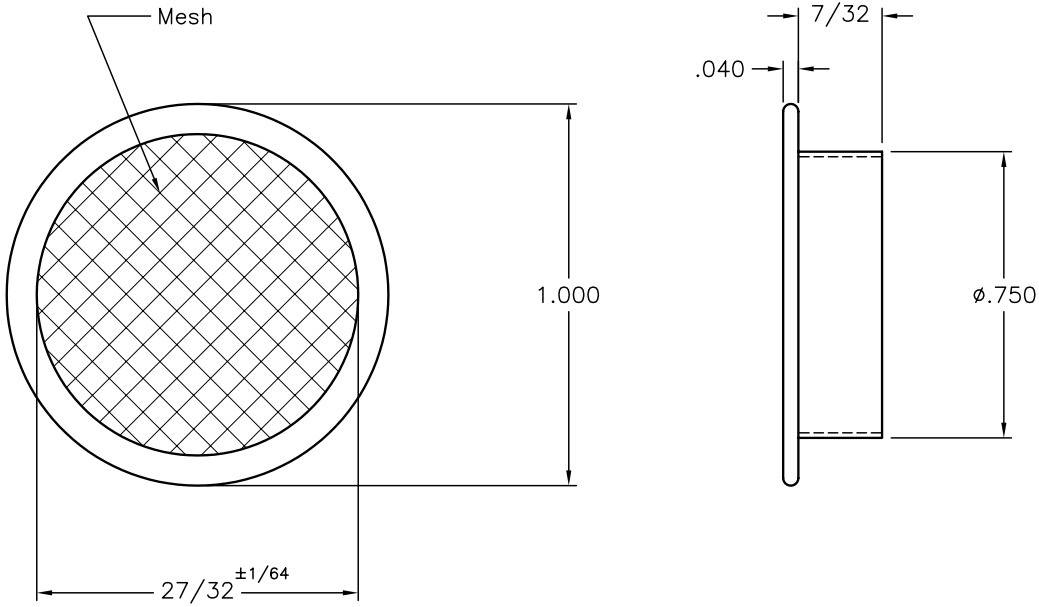
ALL RIGHTS RESERVED. NO PORTION OF THIS PUBLICATION, WHETHER IN WHOLE OR IN PART, CAN BE REPRODUCED WITHOUT THE EXPRESS WRITTEN CONSENT OF SPC TECHNOLOGY.

SPC-F005.DWG

REVISIONS

DOC. NO. SPC-F005 * Effective: 7/8/02 * DCP No: 1398

DCP #	REV	DESCRIPTION	DRAWN	DATE	CHECKD	DATE	APPRVD	DATE
1333	A	RELEASED	JWM	11/6/03	HO	11/25/03	JC	11/26/03



Material: Brass – Nickel Plated

DISCLAIMER:
ALL STATEMENTS AND TECHNICAL INFORMATION CONTAINED HEREIN ARE BASED UPON INFORMATION AND/OR TESTS WE BELIEVE TO BE ACCURATE AND RELIABLE. SINCE CONDITIONS OF USE ARE BEYOND OUR CONTROL, THE USER SHALL DETERMINE THE SUITABILITY OF THE PRODUCT FOR THE INTENDED USE AND ASSUME ALL RISK AND LIABILITY WHATSOEVER IN CONNECTION THEREWITH.

TOLERANCES:

Tolerances: Unless
Otherwise Specified:
Decimals = ±.005
Fractions = ±.008

DRAWN BY:	DATE:
Jeff McVicker	11/6/03
CHECKED BY:	DATE:
Hisham Odish	11/25/03
APPROVED BY:	DATE:
John Cole	11/26/03

DRAWING TITLE:

Vent Plug

SIZE	DWG. NO.	ELECTRONIC FILE	REV
A	VPMN	95N3645.dwg	A
SCALE: NTS	U.O.M.: INCHES [mm]	SHEET: 1 OF 1	