



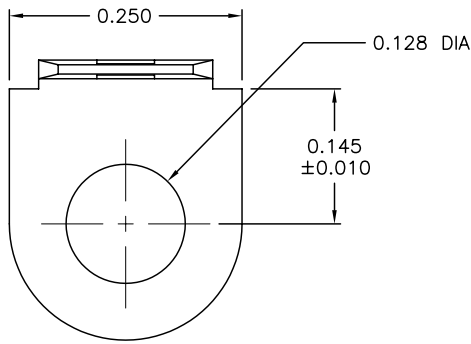
ALL RIGHTS RESERVED. NO PORTION OF THIS PUBLICATION, WHETHER IN WHOLE OR IN PART CAN BE REPRODUCED WITHOUT THE EXPRESS WRITTEN CONSENT OF SPC TECHNOLOGY.

SPC-F005.DWG

REVISIONS

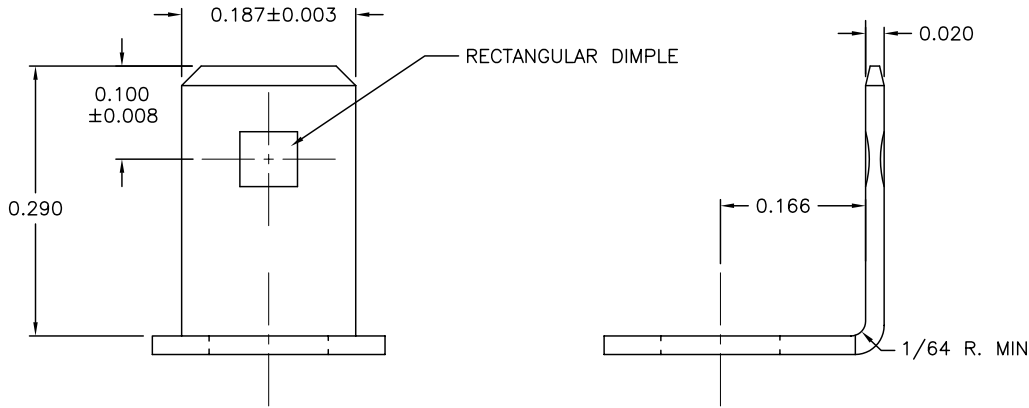
DOC. NO. SPC-F005 * Effective: 7/8/02 * DCP No: 1398

DCP #	REV	DESCRIPTION	DRAWN	DATE	CHECKD	DATE	APPRVD	DATE
242	B	REDRAWN	DJC	7/23/98	JC	7/24/98	JWM	7/30/98
1879	C	Update To RoHS Compliant	BYF	12/26/05	HO	1/18/06	HO	1/18/06



SPECIFICATIONS

MATERIAL: 0.020 BRASS
FINISH: POLISHED



DISCLAIMER:
ALL STATEMENTS AND TECHNICAL INFORMATION CONTAINED HEREIN ARE BASED UPON INFORMATION AND/OR TESTS WE BELIEVE TO BE ACCURATE AND RELIABLE. SINCE CONDITIONS OF USE ARE BEYOND OUR CONTROL, THE USER SHALL DETERMINE THE SUITABILITY OF THE PRODUCT FOR THE INTENDED USE AND ASSUME ALL RISK AND LIABILITY WHATSOEVER IN CONNECTION THEREWITH.

TOLERANCES:
DECIMAL:
.XXX±0.005
.XX±0.01

HOLE: +.003
-.002
FRACTIONAL:±1/64

DRAWN BY:	DATE:
JOHN COLE	9/4/91
CHECKED BY:	DATE:
(PRE DCP)	
APPROVED BY:	DATE:
(PRE DCP)	

DRAWING TITLE: PC Board Terminal, 0.187" Male Quick Disconnect Type, Right Angle			
SIZE	DWG. NO.	ELECTRONIC FILE	REV
A	MTL-1802-A	23N3664.DWG	C
SCALE: NTS	U.O.M.: INCHES	SHEET: 1 OF 1	