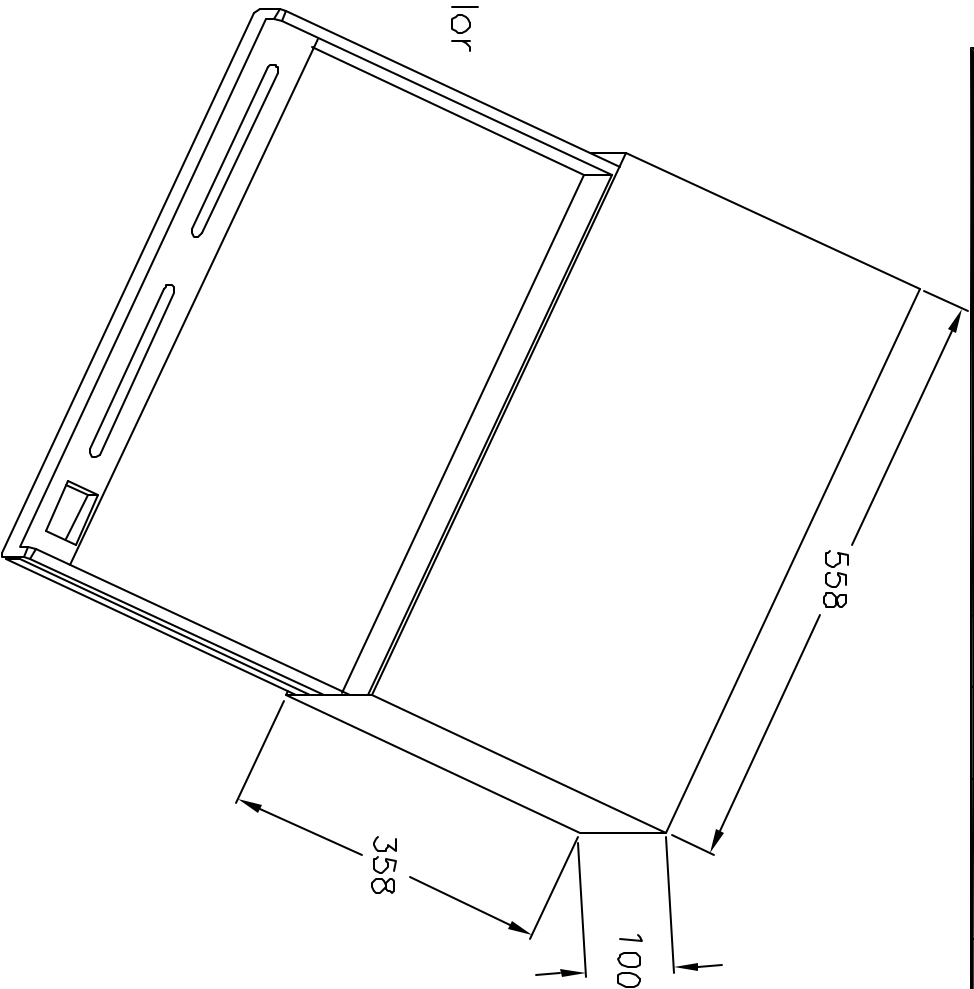


© COPYRIGHT 1998 BY SPC TECHNOLOGY. ALL RIGHTS RESERVED. NO PORTION OF THIS PUBLICATION, WHETHER IN WHOLE OR IN PART CAN BE REPRODUCED WITHOUT THE EXPRESS WRITTEN CONSENT OF SPC TECHNOLOGY.

REVISIONS				DOC. NO. SPC-FD05, Total Pages: 2				
DCP #	REV	DESCRIPTION	DRAWN	DATE	CHECKD	DATE	APPRVD	DATE
522	A	Released	J.W.M.	10/29/98	J.C.	10/30/98	D.J.C.	10/30/98

Note:  
 Accommodates PC/AT (101) keyboard.  
 Material: Cover: Steel, Painted Beige Color  
 Base: Plastic, Beige Color



**DISCLAIMER**  
 ALL STATEMENTS AND TECHNICAL INFORMATION CONTAINED HEREIN ARE BASED UPON INFORMATION AND/OR TESTS WE BELIEVE TO BE ACCURATE AND RELIABLE. SINCE CONDITIONS OF USE ARE NOT WITHIN OUR CONTROL, THE USER SHALL DETERMINE THE SUITABILITY OF THE PRODUCT FOR THE INTENDED USE AND ASSUME ALL RISK AND LIABILITY WHATSOEVER IN CONNECTION THEREWITH.

Tolerances Unless  
 Otherwise Specified

x .xx1 (xxxx)  
 xx .xx12(0.005)

DRAWN BY:	DATE:
Jeff Mcvicker	10/28/98
CHECKED BY:	DATE:
John Cole	10/30/98
APPROVED BY:	DATE:
Dan Carey	10/30/98

DRAWING TITLE:

Keyboard Drawer



**SPC TECHNOLOGY**

SIZE	DWG. NO.	ELECTRONIC FILE	REV
A	3398	84N1078.dwg	A
SCALE:	NTS	U.O.M.: Millimeters	SHEET: 1 OF 1