



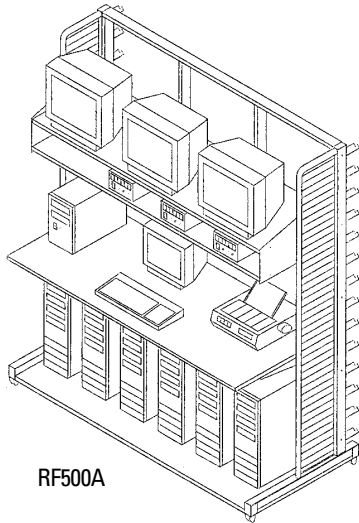
© 2005. All rights reserved.
Black Box Corporation.

BLACK BOX[®]

NETWORK SERVICES

Black Box Corporation • 1000 Park Drive • Lawrence, PA 15055-1018 • Tech Support: 724-746-5500 • www.blackbox.com • e-mail: info@blackbox.com

SERVCENTER, SERVCENTER II, SERVCENTER RACK



RF500A

Organize your computer and communications equipment with the modular and flexible ServCenters and ServCenter Rack.

Key Features

- ▶ **Simple-to-complex organization, from server-stacking racks to complete network control centers.**
- ▶ **Modular, interchangeable components.**
- ▶ **Frames are welded from 12-gauge steel tube and hold over 2000 pounds.**
- ▶ **Select from frames, brackets, shelves, cable managers, etc.**
- ▶ **The ideal choices for organizing computers and communication equipment.**

Overview

The ServCenter or ServCenter II is the ideal choice for organizing your computers and communication equipment. For small to mid-sized networks with minimal equipment needs, use a ServCenter II. For larger networks, try one of the ServCenters. To store additional servers and equipment, choose the ServCenter Rack.

Modular components for your ServCenter setup include frames, uprights, work surfaces, brackets, and bases.

All ServCenter models include (2) uprights with Vertical Cable Manager, (1) frame, and (1) work surface.

All ServCenter II models include (1) frame, (2) uprights, (1) work surface, and (2) electronic/tower shelves.

The ServCenter Rack includes (1) frame and multiple options for shelving and cable management.

Frames

Modular and flexible, the ServCenter has welded steel frames as its core. All ServCenter frames are constructed of 1" x 2.75" 12-gauge steel and are 90" high. And they're welded for strength and ease of installation.

Like the ServCenters, the frame of the ServCenter Rack is constructed of tough 12-gauge steel, and it stands 86" high. It's welded for superior strength and is able to hold up to a ton of equipment. The rack's frame is adjustable to depths of 30" or 36".

Please note that frames are one-piece units and must ship via motor freight.

Uprights

The uprights that attach to both sides of the ServCenters'

frames extend a full 12" in front of the frames, providing an extra measure of strength and support for both front-to-back and side-to-side stability. Designed for heavy-duty capacity, the uprights offer a clear strength advantage over systems with only a bracket foot or uprights that require crutch bracing for front-to-back stability.

Heavy-Duty Brackets

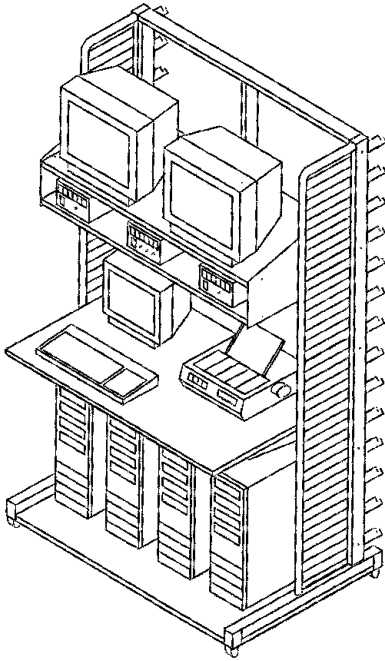
With the ServCenter units, work surfaces are supported by heavy-duty brackets every 24". Each work-surface support attaches to the frame with a 7.5"-high bracket end that features a safety tab to prevent accidental dislodging.

Work Surface

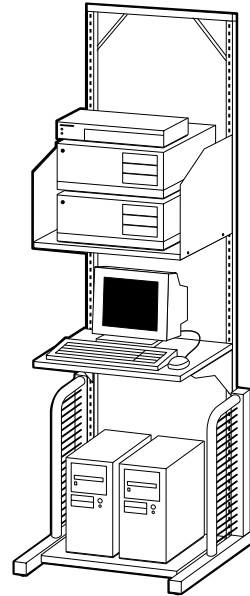
The work surface of the ServCenters is 29" deep and is made of 1½"-thick laminate. It's adjustable to a height that's most convenient for you.

(continued on page 5)

ServCenter and ServCenter II

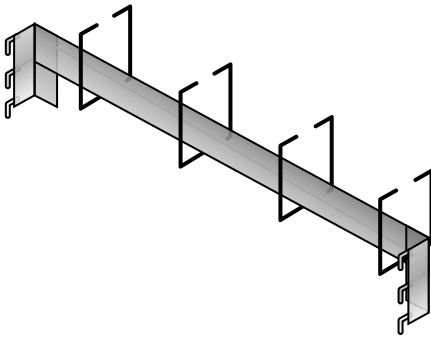


ServCenter, RF500A through RF504A and RF513A through RF515A (RF501A shown).



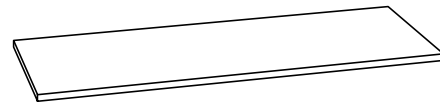
ServCenter II, RF524A and RF525A (RF524A shown).

ServCenter Accessories

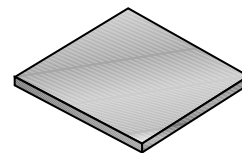


Horizontal Cable Manager, RF506A, RF516A, and RF517A (RF506A shown). The Horizontal Cable Manager cleans up the clutter while permitting easy access to cables and wires. It features an open design and includes built-in brackets for mounting a power strip. 24", 48", or 72"W.

ServCenter CD Holder, RF526 (not shown). This holder attaches to the ServCenter's upright framework. It can hold up to 48 CDs.

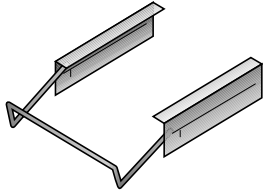


Add-On Shelf, RF520A and RF521A (RF521A shown). Creates an extra 6.5" of shelf space for smaller equipment. 48" or 72"W x 22"D. Use the RF520A with the RF501A, RF515A, RF513A, or RF514A. Use the RF521A with the RF500A, RF504A, RF502A, or RF503A.

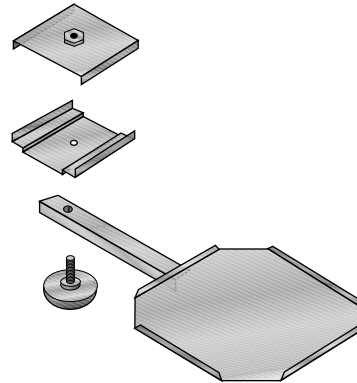


Mini Add-On Shelf, RF510A. Can be used with all ServCenters. 24"W x 22"D.

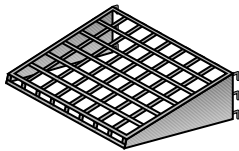
ServCenter Accessories (continued)



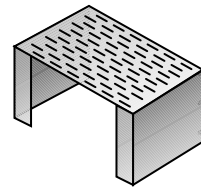
Retractable Keyboard Holder, RF505A.
This holder slides in and out for convenient keyboard access. 24"W.



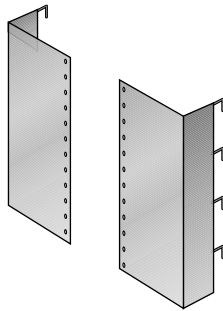
Adjustable Mouse Tray, RF511A.



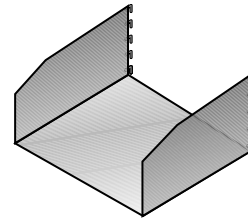
Grid Shelf, RF507A and RF522A (RF507A shown). This shelf can be used with all ServCenters to store miscellaneous items. Holds 200 pounds. 24" or 48"W x 18"D.



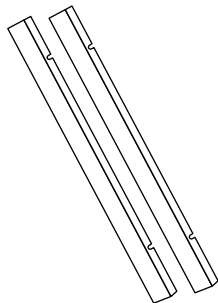
Rackmount Panel Assembly, RF508A.
Holds rackmount equipment. 12"H x 24"W.



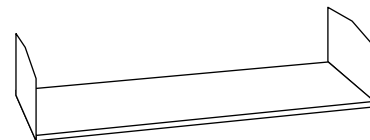
Patch Panel Bracket, RF512A.



Mini Electronic/Tower Shelf, RF509A.
This shelf holds servers and other equipment. 24"W x 22"D.

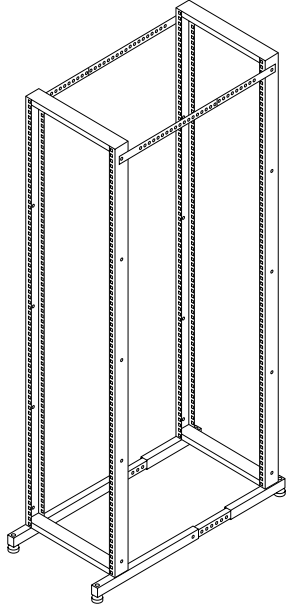


Vertical Cable Management Cover, RF523A.
Can be used with all ServCenter models.

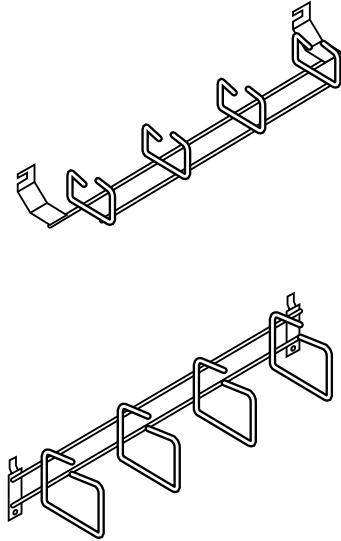


Electronic/Tower Shelf, RF518A and RF519A (RF519A shown).
Holds servers and other equipment. 48" or 72"W x 22"D. Use the RF518A with the RF501A, RF515A, RF513A, or RF514A. Use the RF519A with the RF500A, RF504A, RF502A, or RF503A.

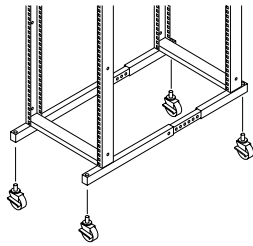
ServCenter Rack and Accessories



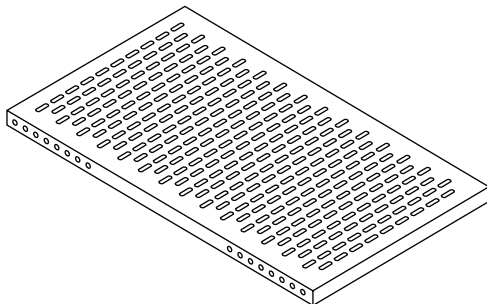
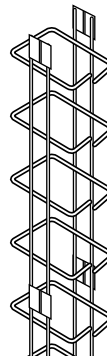
The 45U ServCenter Rack, RF535A, stands 86" high and can hold up to 2000 pounds of equipment. M6 mounting holes accommodate servers and equipment from multiple vendors. Its depth adjusts from 30" to 36" in 1" increments.



Choose from two horizontal cable managers, both 19" wide. Both cable managers are sturdy and made from steel, so they won't break under stress. The RF539, top, features a 3" ring depth. The RF540, bottom, boasts an extra-large 4" ring depth.



You can attach four 3" locking casters from the optional Caster Kit, RF536, to the base of the ServCenter Rack.



Customize your rack with one of our optional shelves (RF537 and RF538) in two different depths: 30" or 36". Each shelf supports up to 150 pounds (RF537 shown).



You also can outfit your rack with two Vertical Cable Managers. The RF541, top, is 70" high and features extra-large cable rings measuring 6" wide by 4" deep. Install it on one of the ServCenter Rack's side panels. The RF542, bottom, also is 70" high and its cable rings measure 3.6" wide by 2" deep. Install it with the rings facing outward or to the side. Both cable managers are made of steel.

Overview (continued from page 1)

Caster Base Shelf

The Caster Base Shelf gives the ServCenter rack mobility for moves, adds, and changes. The rack sits on top of the Caster Base Shelf and is held in place by supports that fit around the legs of the two uprights. The Caster Base Shelf has casters on it and allows the rack to be moved with 3" lockable casters.

Tower Floor Shelf

For the ServCenter units, this 22"-deep, heavy-duty reinforced steel shelf rests on the caster base. Use it to store servers and any other large equipment.

Tower Floor Shelf with Roll-Out Kit

This kit combines the ServCenter units' Tower Floor Shelf with a caster base, so it

slides out for easy access to server cabling. The shelf is 22" deep and made of heavy-duty reinforced steel.

ServCenter Rack Shelves

Since the ServCenter Rack's frame adjusts to depths of 30" or 36", you can customize your rack with shelving options to match the frame's depth. Each shelf supports up to 150 pounds.

ServCenter Rack Cable Managers

Choose from two horizontal cable managers, both 19" wide, or opt for our 70"-high vertical cable managers. RF539 features a 3" ring depth; RF540 boasts a 4" ring depth. RF541 has cable rings 6" wide by 4" deep; RF542 is equipped with cable rings 3.6" wide by 2" deep.

Ordering Information

ITEM	CODE	ITEM	CODE
ServCenter		Grid Shelf	
72" Inside Width, 90"H x 76.4"W Outside Dimensions		24"W x 18"D	RF507A
(1) Add-On Shelf/(1) Tower Shelf/		48"W x 18"D	RF522A
(1) Caster Base Shelf	RF500A	Rackmount Panel Assembly, 24"W	RF508A
(2) Tower Shelves/(1) Caster Base Shelf.....	RF504A	Mini Electronic/Tower Shelf, 24"W x 22"D.....	RF509A
72" Inside Width, 85.5"H x 76.4"W Outside Dimensions		Mini Add-On Shelf, 24"W.....	RF510A
(1) Add-On Shelf/(1) Tower Shelf/		Adjustable Mouse Tray	RF511A
(1) Tower Floor Shelf with Roll-Out Kit.....	RF502A	Patch Panel Bracket.....	RF512A
(2) Tower Shelves/(1) Tower Floor Shelf		Electronic/Tower Shelf	
with Roll-Out Kit.....	RF503A	48"W	RF518A
48" Inside Width, 90"H x 52.4"W Outside Dimensions		72"W	RF519A
(1) Add-On Shelf/(1) Tower Shelf/		Add-On Shelf	
(1) Caster Base Shelf	RF501A	48"W	RF520A
(2) Tower Shelves/(1) Caster Base Shelf.....	RF515A	72"W	RF521A
48" Inside Width, 85.5"H x 52.4"W Outside Dimensions		Vertical Cable Management Cover	RF523A
(1) Add-On Shelf/(1) Tower Shelf/		ServCenter CD Holder	RF526
(1) Tower Floor Shelf with Roll-Out Kit.....	RF513A	<i><u>You may want to order ServCenter Rack accessories...</u></i>	
(2) Tower Shelves/(1) Tower Floor Shelf		Caster Kit (4 Casters).....	RF536
with Roll-Out Kit.....	RF514A	Shelves, Vented, 4-Point, 17.5"W	
ServCenter II		30"D	RF537
24" Inside Width, 90"H x 28.4"W x 34.25"D		36"D	RF538
Outside Dimensions		Horizontal Cable Managers	
(1) Tower Floor Shelf with Roll-Out Kit.....	RF524A	19"	RF539
(1) Caster Base Shelf	RF525A	19" Mega	RF540
ServCenter Rack, 86"H	RF535A	Vertical Cable Managers	
<i><u>You may want to order ServCenter accessories...</u></i>		70" Mega	RF541
Retractable Keyboard Holder, 24"W.....	RF505A	70" Two-Position	RF542
Horizontal Cable Managers			
24"W	RF506A		
48"W	RF517A		
72"W	RF516A		