



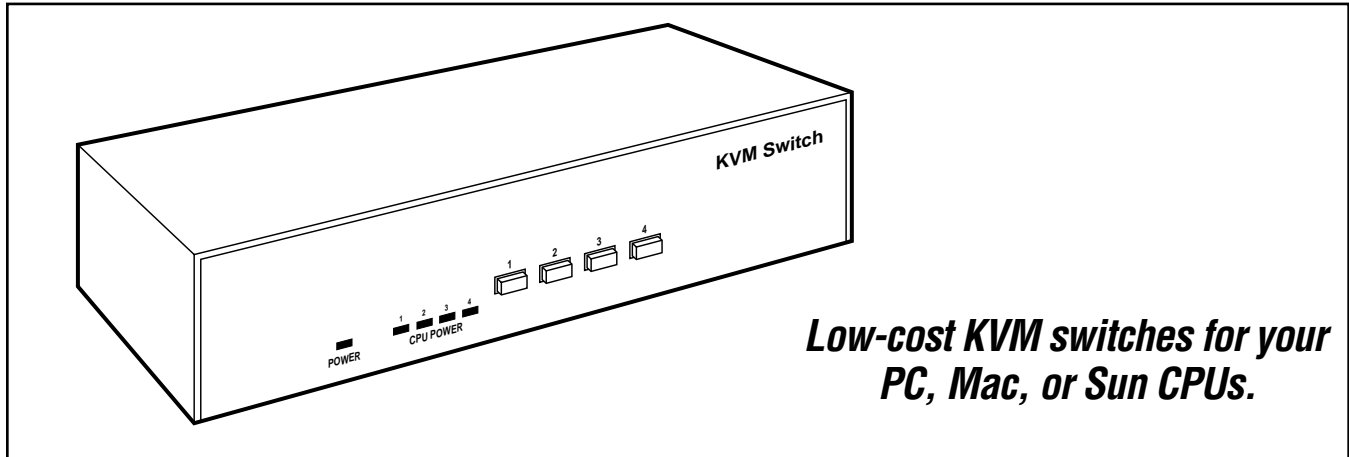
© 2003. All rights reserved.
Black Box Corporation.

BLACK BOX[®]

NETWORK SERVICES

Black Box Corporation • 1000 Park Drive • Lawrence, PA 15055-1018 • Tech Support: 724-746-5500 • www.blackbox.com • e-mail: info@blackbox.com

KVM SWITCHES FOR PC, MAC, AND SUN



Low-cost KVM switches for your PC, Mac, or Sun CPUs.

Key Features

- ▶ **Access two or four CPUs with one keyboard, monitor, and mouse.**
- ▶ **Available in five different models.**
- ▶ **PC and Sun models emulate keyboard and mouse functions for automatic boot-up.**
- ▶ **With front-panel pushbuttons, you can switch directly to the CPU of your choice.**
- ▶ **Printed circuit boards provide maximum reliability.**

The KVM Switches for PC, Mac[®], and Sun[®] enable you to share two or four CPUs with one keyboard, monitor, and mouse. All are designed for plug-and-play operation.

Front-panel pushbuttons enable you switch directly to your desired CPU. Diagnostic LEDs let you easily monitor switch activity. There's an LED for power and LEDs for selected CPU and its power-on state.

Each KVM Switch supports all video resolutions up to 1280 x 1024

noninterlaced (Sun models) or 1024 x 768 noninterlaced (PC and Mac models).

PC models support the functions and modes of AT[®] compatible keyboards and serial mice. Mac and Sun models can be set to either pass through or override monitor ID bits to each CPU.

KVM Switches don't require external power. Their low-power circuitry uses power from CPUs. The power to the keyboard and mouse is maintained during

switching for trouble-free operation.

Adapter cables (ordered separately) merge keyboard, video, and mouse signals onto a single DB25 connector and simplify cable management. Please note that while we only list cables for PC connections, versions are also available for Mac and Sun. For details, call our FREE Tech Support.

Technically Speaking

If you would like your Mac or Sun KVM Switch to use a monitor that doesn't support ID bits (such as a PC VGA monitor), you can hardwire the switch to provide the ID bits. To do this, set

the four ID-bit jumpers inside the switch.

ID-bit jumpers, located next to the COMMON connector on the board, are labeled as follows:

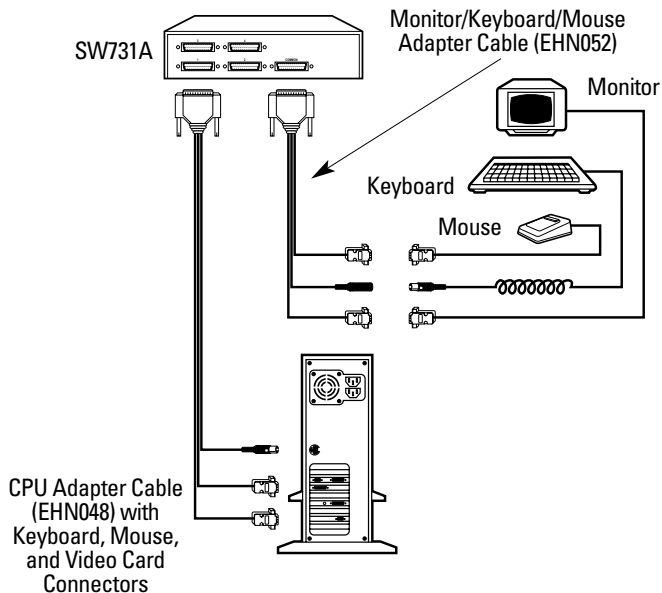
- JP20 (controls ID0)
- JP21 (controls ID1)

- JP22 (controls ID2)
- JP23 (controls ID3)

To force an ID bit low, move the jumper to the left-hand position; to force an ID bit high, move the jumper to the open position.

Share four PC CPUs with one keyboard, monitor, and mouse.

NOTE: You can connect EGA CPUs to PC models of the KVM Switch if you have a multisync monitor with a horizontal scan-frequency range of 15.5 to 35 kHz, and an EGA-to-VGA adapter for each EGA computer. These adapters plug into each EGA CPU's video port, altering the EGA video signal so that it can be carried over VGA cable. (The PC models of the KVM Switch natively support VGA only.) Call your supplier for a quote on EGA-to-CGA adapters.



Specifications

Compliance: FCC Class A, DOC Class/MDC classe A

Distance (Maximum): 21 ft. (6.4 m) of total cable from any CPU to keyboard, monitor, and mouse

Resolution (Maximum):
 SW730A–SW731A, SW735A: 1280 x 1024 noninterlaced;
 SW732A–SW733A (with standard cables): 1024 x 768 noninterlaced

Standards:
 SW730A–SW731A: VGA video (EGA/CGA video with additional adapters);
 SW732A–SW733A: Macintosh® video;
 SW735A: Sun video

System Hardware Required:
 SW730A–SW731A: IBM® AT or PS/2® or compatible computers, IBM AT keyboard (PS/2 keyboard works with additional adapter), RS-232 serial mouse, and VGA monitor;
 SW732A–SW733A: Apple® Macintosh computers, keyboard, mouse, and monitor;
 SW735A: Sun workstations, keyboard, mouse, and monitor

User Controls:
 Front-mounted pushbuttons for switching between CPUs:
 SW730A, SW732A: (2);
 SW731A, SW733A, SW735A: (4)

Interface:
 Proprietary composites:
 SW730A–SW731A: IBM AT keyboard, RS-232 (for serial mouse), and VGA video;
 SW732A–SW733A: Macintosh video and Apple Desktop Bus™ (for keyboard and mouse);
 SW735A: Sun keyboard/mouse and video

Connectors: Rear-mounted DB25 F: (1) (labeled COMMON) to monitor/keyboard/mouse, (2) or (4) to CPUs

Indicators: Front-mounted LEDs: (1) Power, (2) or (4) CPU Power

Power:
 From CPU ports; approximately 50 mA at 5 volts

Size: 2.3"H x 8.8"W x 4.9"D (5.8 x 22.4 x 12.4 cm)

Weight: 3 lb. (1.4 kg)

Ordering Information

ITEM	CODE
KVM Switches for PC	
2-Port, (3) DB25 Female.....	SW730A
4-Port, (5) DB25 Female.....	SW731A
KVM Switches for Mac	
2-Port, (3) DB25 Female.....	SW732A
4-Port, (5) DB25 Female.....	SW733A
KVM Switch for Sun	
4-Port, (5) DB25 Female.....	SW735A
<i>For optimum performance and a 20% savings, order...</i>	
Cables for PC Applications	
Cables from CPU to KVM Switch	
VGA/AT/Serial.....	EHN048
EGA/AT/Serial.....	EHN049
Cables from KVM Switch to Keyboard	
VGA/AT/Serial.....	EHN052
EGA/AT/Serial.....	EHN053