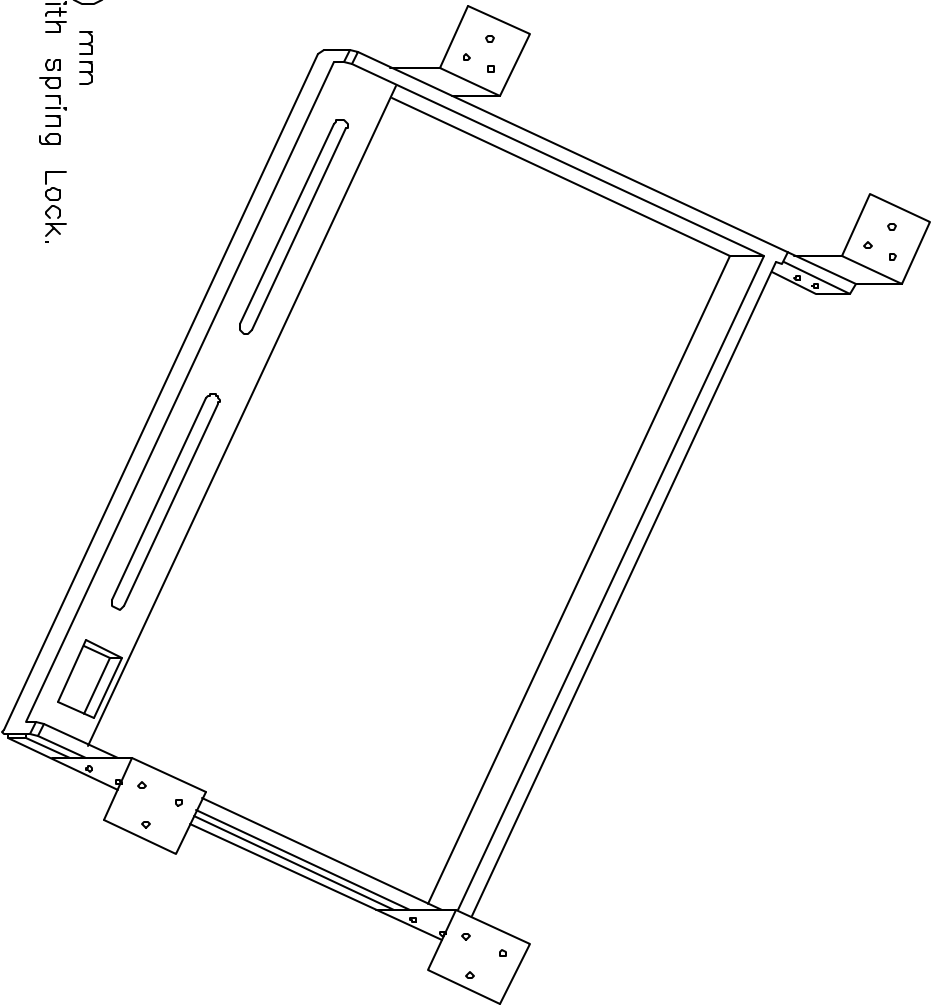


© COPYRIGHT 1998 BY SPC TECHNOLOGY. ALL RIGHTS RESERVED. NO PORTION OF THIS PUBLICATION, WHETHER IN WHOLE OR IN PART CAN BE REPRODUCED WITHOUT THE EXPRESS WRITTEN CONSENT OF SPC TECHNOLOGY.

REVISIONS			DOC. NO. SPC-FD05, Total Pages: 2			
DCP #	REV	DESCRIPTION	Effective: 7/15/97	DCP No: 229	Supervisor	DCP No: 103
522	A	Released	J.W.M.	10/29/98	J.C.	10/30/98



Note:
 Holds keyboards up to
 Size: 230(L) x 525(W) x30(H) mm
 Smooth Ball-bearing slides with spring Lock.
 Material: Plastic, Beige Color

DISCLAIMER
 ALL STATEMENTS AND TECHNICAL INFORMATION CONTAINED HEREIN ARE BASED UPON INFORMATION AND/OR TESTS WE BELIEVE TO BE ACCURATE AND RELIABLE. SINCE CONDITIONS OF USE ARE BEYOND OUR CONTROL, THE USER SHALL DETERMINE THE SUITABILITY OF THE PRODUCT FOR THE INTENDED USE AND ASSUME ALL RISK AND LIABILITY WHATSOEVER IN CONNECTION THEREWITH.

Tolerances Unless Otherwise Specified	DRAWN BY:	DATE:
x ±0.2 [0.008] xx ±0.12[0.005]	Jeff Mcvicker	10/28/98
	CHECKED BY:	DATE:
	John Cole	10/30/98
	APPROVED BY:	DATE:
	Dan Carey	10/30/98

SPC TECHNOLOGY

DRAWING TITLE: Underdesk Drawer

SIZE	DWG. NO.	ELECTRONIC FILE	REV
A	3397	84N1077.dwg	A
SCALE: NTS	U.O.M.: Millimeters	SHEET: 1	OF 1