

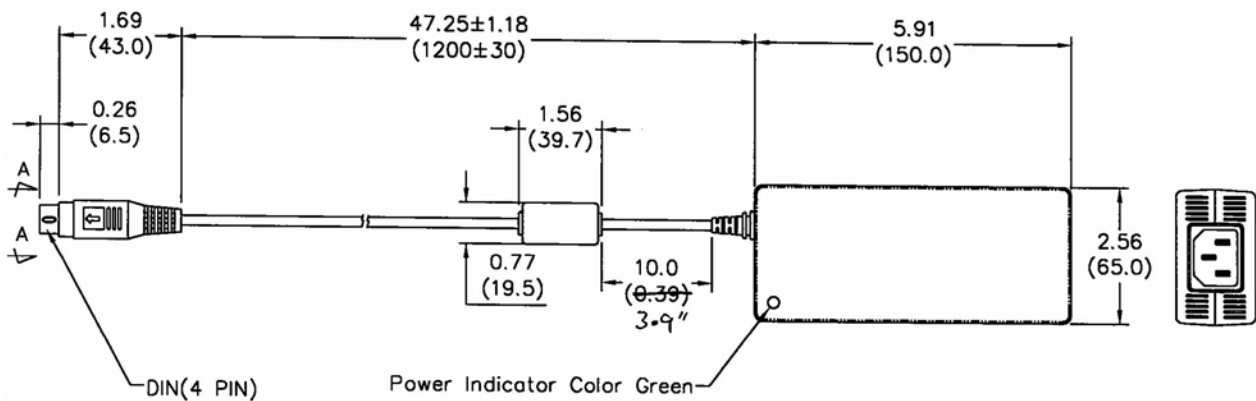
# DATA SHEET

PART NO T3639ST



## DESCRIPTION:

100-240Vac: 12Vdc Reg. 10Amp Desk Top PSU



INPUT VOLTS	100-240Vac
FREQUENCY	50-60Hz
POWER FACTOR CORRECTION	AC Active
INPUT CURRENT (min.)	
INPUT CURRENT (max.)	2Amp RMS
LEAKAGE CURRENT	0.75mA Max
EFFICIENCY (min)	85%
O/P VOLTS NO LOAD	12Vdc
O/P VOLTS (+/-5%)	12Vdc
O/P CURRENT	10Amps
OVER VOLTAGE PROTECTION	Yes
OUTPUT PROTECTION( Auto Restart)	Yes
RIPPLE & NOISE (P-P)	
OPERATING TEMPERATURE ( °C )	10 to 40
HUMIDITY	
STORAGE TEMPERATURE (°C)	
HUMIDITY	
FLASH TEST (Input to Output)	3KVac
INPUT CONNECTOR	IEC320 C14
LEAD LENGTH	N/A
OUTPUT CONNECTOR	4 Pin MiniDin
OUTPUT POLARITY	See Label
LEAD LENGTH	1.5 mtr.
LENGTH	150mm
WIDTH	65mm
DEPTH	38mm
MOUNTING CENTRES	N/A
WEIGHT	515 Grams
CASE MATERIAL	UL94-V0

## LABELLING:

**STONTRONICS AC/DC ADAPTER**

PART NO.: T3639ST  
 MODEL NO.: PAC120F  
 INPUT: 100~240V~ 50/60Hz 2.0A  
 OUTPUT: 12V ---10.0A

**WARNING**  
 FOR I.T.E USE ONLY LIMITED POWER  
 SOURCE RISK OF ELECTRIC SHOCK DO  
 NOT OPEN

**WARNING**  
 Apparaten må kun tilkø-plies jordest  
 stikkontakt. Apparaten skall anslutas till  
 jordat uttag när den ärslut still ett natvert.

CAUTION:FOR INDOOR USE ONLY.

CE      GS      UL LISTED  
 LISTED  
 I.T.E. POWER SUPPLY

DATE: XXXX        
 SIN: XXXXXXXXXX       MADE IN CHINA