

AD7216N2L

72 Watts

Total Power: 72 Watts
Input Voltage: 90 - 264 Vac
of Outputs: Single



Special Features

- Class II
- Universal AC input
- Fully regulated output
- Overvoltage and short circuit protection
- Constant voltage
- High efficiency
- IEC320 AC receptacle, 2 pin (type C8)
- Built in EMI filter
- (CISPR 22 Class B)
- AC Input fuse
- Complies with Blue Angel requirement

Safety

UL: UL 60950-1
CuL: 60950-1
PSE: Denan
CB: Certificate and report

Electrical Specifications

Input

Input range:	90-264 Vac (wide range)
Frequency:	47-63 Hz
Input current:	2 A maximum
Efficiency:	85% typical
EMI/RFI:	FCC Part 15, Subpart B Class B & EN55022 (CISPR 22) Class B
Safety ground leakage current:	0.5 mA maximum@ 50/60 Hz, 264 Vac input

Output

Maximum Power (Po):	72 W
Hold-up time:	10 ms. minimum at full load @ 120 Vac
Short current protection:	Auto recover
Thermal protection:	Internally protected; output will latch off
Cable/connector:	DC cable length 2.1 mm center plug, right angle DC plug center +v DC plug outer -v
Overvoltage protection:	20 - 23 V; Latching type, recycle ac to reset

Environmental Specifications

Operating temperature:	+5° to +40°C ambient
Storage temperature:	-10°C to +70°C
Electromagnetic susceptibility:	Designed to meet EN61000-4-2, -4, level 2; EN61000-4-5, Level 3
Humidity:	Operating; non-condensing 5% to 90% RH

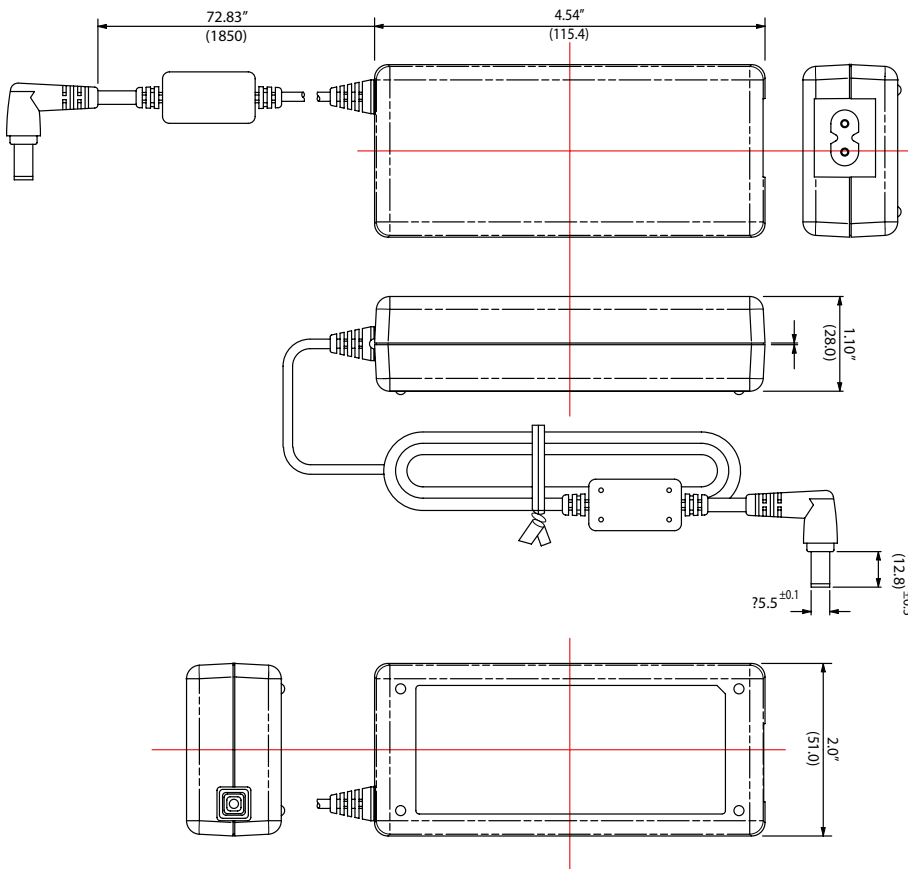


Ordering Information

Model Number	Maximum Power	Output Voltage	Maximum Load	Peak Load ¹	Regulation ²	Ripple P/P (PARD) ³
AD7216N2L	72 W	16 V	4.5 A	4.75 A	±5%	<250mV

1. Peak current lasting <4 seconds with a maximum 10% duty cycle.
2. At 25°C including initial tolerance, line voltage, load currents and output voltages adjusted to factory settings.
3. Peak-to-peak with 20MHz bandwidth and 10µF (tantalum capacitor) in parallel with a 0.1µF capacitor at rated line voltage and load ranges.

Mechanical Drawing



NOTES:

1. DC PLUG OUTER DIAMETER = 5.5±0.1mm
2. DC PLUG INNER DIAMETER = 2.1±0.15mm
3. DC PLUG LENGTH = 12.8±0.5mm
4. OUTPUT CABLE LENGTH = 1850 +50/-30mm

1.10" (H) x 2.0" (W) x 4.54" (L)
28.0 mm (H) x 51 mm (W) x 115.4 mm (L)
AC Input Connector: IEC320, C8 AC Input
power cord sold separately

Notes:

1. Specifications subject to change without notice.
2. All dimensions in inches (mm), tolerance is ± 0.02" (±0.5 mm)
3. Warranty: 2 year
4. Weight: 0.65 lb./ 0.29 kg
5. AC input power cord sold separately.
6. Specifications at factory settings at 115VAC input, 25 °C unless otherwise stated

Americas

5810 Van Allen Way
Carlsbad, CA 92008
USA
Telephone: +1 (760) 930 4600
Facsimile: +1 (760) 930 0698

Europe (UK)

Waterfront Business Park
Merry Hill, Dudley
West Midlands, DY5 1LX
United Kingdom
Telephone: +44 (0) 1384 842 211
Facsimile: +44 (0) 1384 843 355

Asia (HK)

14/F, Lu Plaza
2 Wing Yip Street
Kwun Tong, Kowloon
Hong Kong
Telephone: +852 2176 3333
Facsimile: +852 2176 3888

For global contact, visit:

www.powerconversion.com
technicalsupport@powerconversion.com

While every precaution has been taken to ensure accuracy and completeness in this literature, Emerson Network Power assumes no responsibility, and disclaims all liability for damages resulting from use of this information or for any errors or omissions.

Emerson Network Power.
The global leader in enabling
business-critical continuity.

- AC Power
- Connectivity
- DC Power
- Embedded Computing
- Embedded Power**
- Monitoring
- Outside Plant
- Power Switching & Controls
- Precision Cooling
- Racks & Integrated Cabinets
- Services
- Surge Protection

EmersonNetworkPower.com

Emerson Network Power and the Emerson Network Power logo are trademarks and service marks of Emerson Electric Co.
©2008 Emerson Electric Co.