

Switchmode Power Supplies Medical Series

Conforms to IEC 60601-1



Applications

- Blood analyser
- Patient monitors
- Measuring equipment
- Laboratory equipment
- Inhalers
- Patient lifts

Characteristics

- Universal input 100 to 240 V AC
- Constant voltage, current limited
- Green LED indicator
- Leakage current $\leq 10 \mu\text{A}$ (DT 80 $\leq 100 \mu\text{A}$)
- Low standby power
 ≤ 0.3 Watts (PP 8) resp.
 ≤ 0.5 Watts (DT 12)
 ≤ 0.75 Watts (DT 50 and DT 80)
- Continuously short circuit proof

Technical data

Input voltage
Input current

100 to 240 V AC ($\pm 10\%$)
200 mA (PP 8), 300 mA (DT 12),
1100 mA (DT 50), 1500 mA (DT 80)

Frequency
Efficiency

50 to 60 Hz
80 % typ. at full load, PP 8 75%

EMC

Conforms to EN 55011
EN 55014, EN 55022/B,
FCC 47 part 15, EN 61000-3-2,
EN 61000-4-2, EN 61000-4-3,
EN 61000-4-4, EN 61000-4-5,
EN 61000-4-6, EN 61000-4-11

Output voltage tolerance

$\pm 5\%$

Environmental specification

Operating temperature

0 to 40° C at maximum load

Storage temperature

-40 to 70° C, PP8 (-20 to 70° C)

Humidity

5 % to 95 % non condensing

Input transient susceptibility

Complies with IEC 61000 requirements

Safety specification

Standards

Fulfils Class II SELV for the following applications:
IEC 60601-1, UL 2601, VDE, CE label,
fulfils medical application class B/BF/CF

Reliability specification

MTBF calculation

200.000 hours at maximum load
and an ambient temperature of 25° C
(in accordance with MIL-HDBK-217)

Mechanical specification

Weight approx.

110 g (PP 8), 135 g (DT 12),
295 g (DT 50), 295 g (DT 80),

Plug connector

AC input:
2-pole IEC 320, C8-socket
PP 8: EURO, UK, USA/Japan
DC output:
Universal output plug system
resp. with stripped and tinned ends

For power cords see page 26

PP 8



DT 12



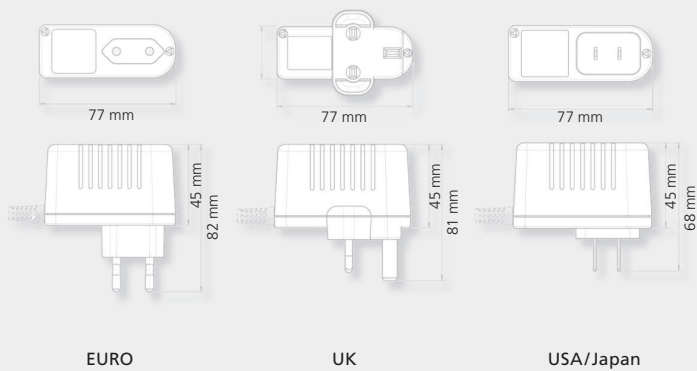
DT 50



DT 80

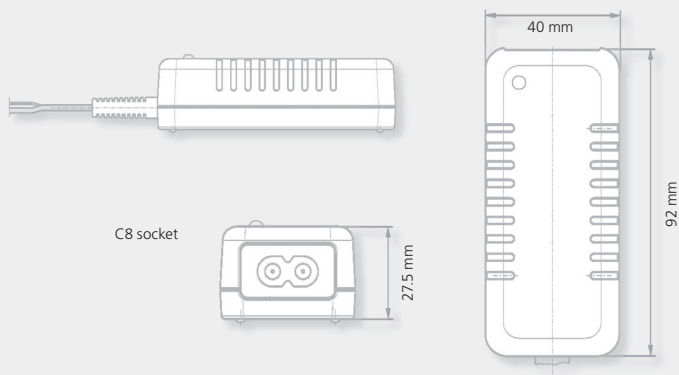


8 Watts



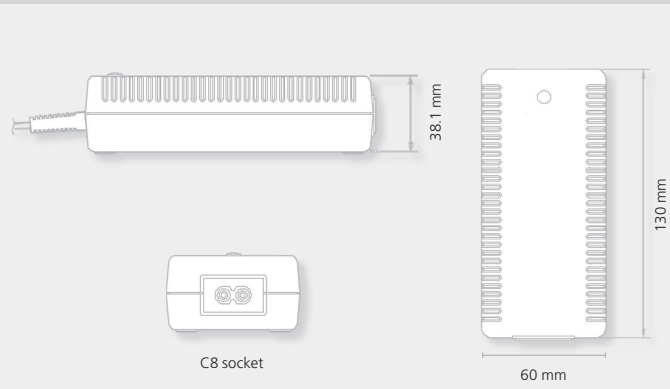
Output data		Ripple	EURO	USA/Japan	UK
Voltage	Current	Voltage	Order No.	Order No.	Order No.
3 V	1700 mA	300 mV pp	1829499	1829588	1829570
5 V	1300 mA	200 mV pp	1829500	1829589	1829571
6 V	1150 mA	180 mV pp	1829501	1829590	1829572
7.5 V	900 mA	150 mV pp	1829502	1829591	1829573
9 V	800 mA	150 mV pp	1829503	1829592	1829574
12 V	700 mA	150 mV pp	1829504	1829593	1829575
15 V	530 mA	150 mV pp	1829505	1829594	1829576
18 V	440 mA	150 mV pp	1829506	1829595	1829577
24 V	330 mA	150 mV pp	1829507	1829596	1829578

12 Watts



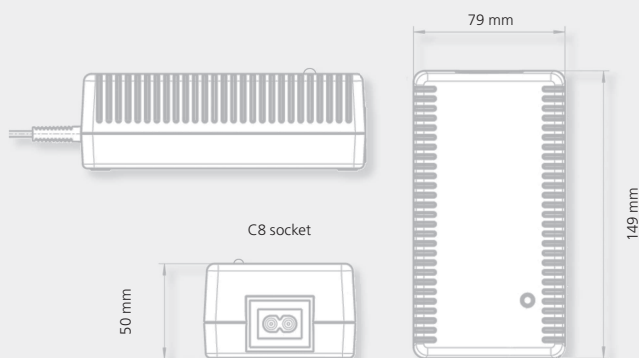
Output data			Worldwide
Voltage	Current	Ripple Voltage	Order No.
5 V	2000 mA	120 mV pp	1826391
6 V	1700 mA	120 mV pp	1826392
7.5 V	1400 mA	115 mV pp	1826393
9 V	1200 mA	135 mV pp	1826394
12 V	1000 mA	180 mV pp	1826395
15 V	800 mA	112 mV pp	1826396
18 V	660 mA	135 mV pp	1826397
24 V	500 mA	300 mV pp	1826398

50 Watts



Output data			Worldwide
Voltage	Current	Ripple Voltage	Order No.
5 V	5000 mA	120 mV pp	1890649
12 V	3800 mA	120 mV pp	1890650
15 V	3000 mA	120 mV pp	1890839
24 V	2200 mA	120 mV pp	1825898

80 Watts



Output data			Worldwide
Voltage	Current	Ripple Voltage	Order No.
12 V	-	120 mV pp	1890865
15 V	-	120 mV pp	1828339
24 V	-	120 mV pp	1890981

available 2009