



SPC
TECHNOLOGY

ALL RIGHTS RESERVED. NO PORTION OF THIS PUBLICATION, WHETHER IN WHOLE OR IN PART CAN BE REPRODUCED WITHOUT THE EXPRESS WRITTEN CONSENT OF SPC TECHNOLOGY.

SPC-F005.DWG

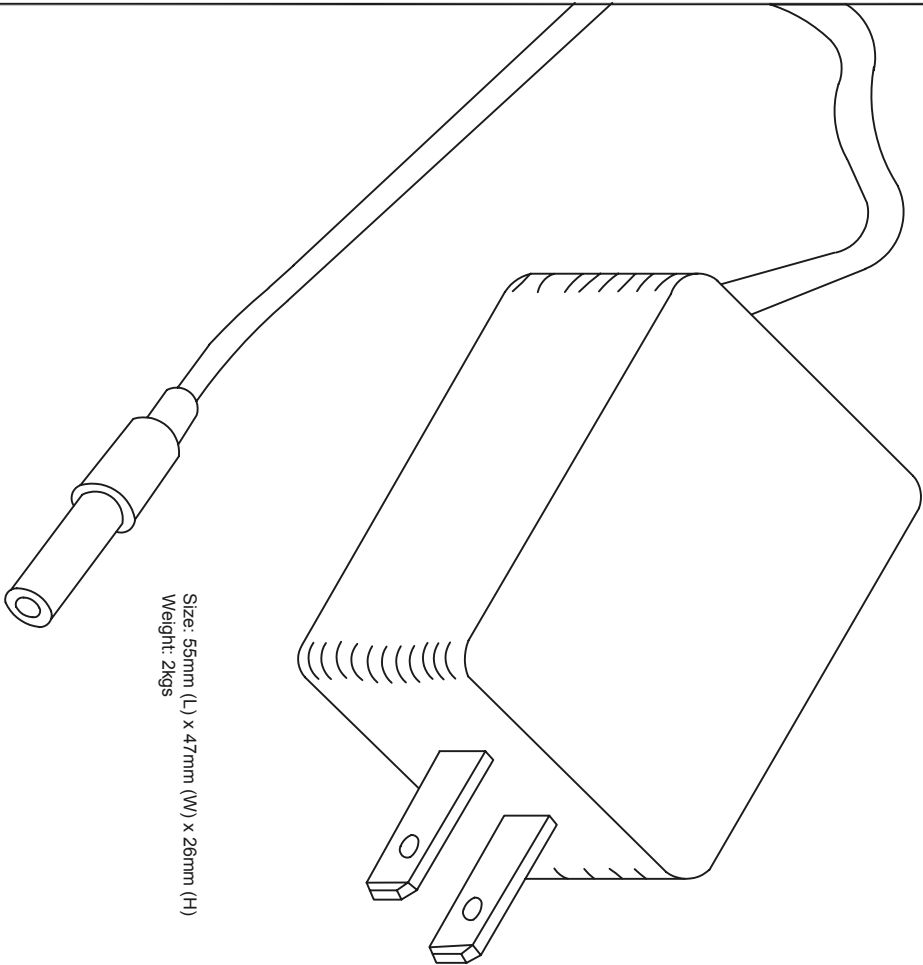
REVISIONS

DCP #	REV	DESCRIPTION	DRAWN	DATE	CHECKD	DATE	APPRVD	DATE
			JAG	01-08-10	MRD	05-08-10	XXX	16-08-10

DOC. NO. SPC-F005 * Effective: 7/8/02 * DCP No: 1398



RoHS
Compliant



Size: 55mm (L) x 47mm (W) x 26mm (H)
Weight: 2kgs

Specifications:

- DC Output Voltage : 5V
- Output Voltage Tol : ±5%
- Output Rated Current : 1.5A
- Output Current Range : 0 to 1.5A
- Ripple & Noise : 50mV/p-p
- Line Regulation : ±1%
- Load Regulation : ±5%
- DC Output Power : 7.5W
- Efficiency : 70%
- Dc Voltage Adj : Fixed
- Input Voltage Range : 90 to 264VAC, 47 to 63Hz
- AC Current : 0.5A/115VAC
- Inrush Current : Cold Start <30A Peak/115VAC
- Overload Protection : pulsing Mode, Reset, auto-Recovery
- Over Voltage Protection : 105% to 145%
- Over Temp Protection : 135°C (Typical) Thermal shutdown
- Temp Coefficient : ±0.04% /°C (0 to 50°C)
- Setup, rise, Hold-up-Tim : 300ms, 50ms, 12ms
- Vibration : 10 to 200Hz, 2G 10 min/1 Cycle, PERIOD FOR 60 Minutes EACH AXIS
- Withstand Voltage : I/P to O/P: 3kVAC-1 Min.
- Operating Temp, Humidity : 0°C to 30°C @ 100% Load, 40°C @ 60% Load, 20% to 90% RH
- Storage Temp, Humidity : -20°C to +85°C, 10% to 95% Rh
- Length of Output Cable : 70", SPT-1, 20AWG, 2 conductor
- DC Output Plug : Ø2.1mm x Ø 5.5mm x 11mm (Centre Positive)
- Isolation Resistance : I/P to O/P > 100VDC / 100 Megohms
- Safety Standards : CSA22.2, UL1950, Approval
- EMC Standards : EN55022, EN5082-1, EN61000-4-2, 3, 4, 5, 6, 11 verification

NOTE:

- All parameters are specified at 115VAC input, 25°C 70 % RH, Ambient.
- Tolerance includes set up tolerance, line regulation, load regulation
- Ripple & noise are measured at 20MHz by using a 12" twisted pair terminated with a 0.1 nF and 47 mF capacitor.
- Line regulation is measured from low line to high line at rated load.
- Load regulation is measured from 20 % to 100 % rated load

TOLERANCES:

UNLESS OTHERWISE SPECIFIED, DIMENSIONS ARE FOR REFERENCE PURPOSES ONLY.

DRAWN BY:	JAG	DATE:	01-08-10	DRAWING TITLE:	7.5W AC – DC Single Output Switching Power Supply		
CHECKED BY:	MRD	DATE:	05-08-10	SIZE	DWG. NO.	ELECTRONIC FILE	REV
APPROVED BY:	XXX	DATE:	16-08-10	SCALE:	NTS	U.O.M.: INCHES [mm]	SHEET: 1 OF 1

Part Number Table

Description	Part Number
7.5W AC - DC Single Output Switching Power Supply	SPC22007

DISCLAIMER:
ALL STATEMENTS AND TECHNICAL INFORMATION CONTAINED HEREIN ARE BASED UPON INFORMATION AND/OR TESTS WE BELIEVE TO BE ACCURATE AND RELIABLE. SINCE CONDITIONS OF USE ARE BEYOND OUR CONTROL, THE USER SHALL DETERMINE THE SUITABILITY OF THE PRODUCT FOR THE INTENDED USE AND ASSUME ALL RISK AND LIABILITY WHATSOEVER IN CONNECTION THEREWITH.