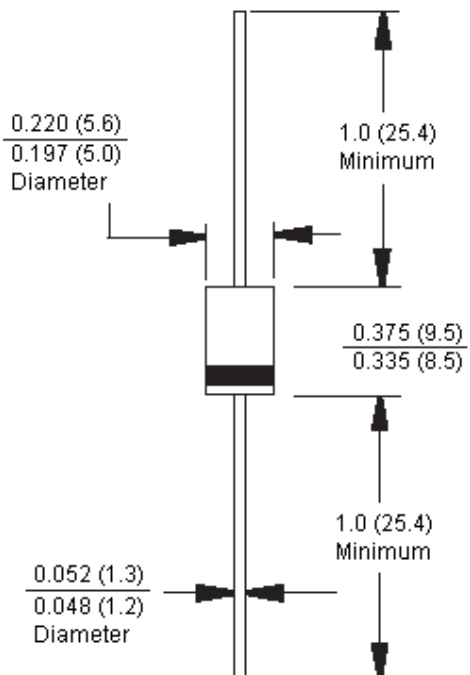




Features:

- High efficiency, low V_F .
- High current capability.
- High reliability.
- High surge current capability.
- Low power loss.

DO-201AD



Dimensions : Inches (Millimetres)

Mechanical Data:

Cases	: Moulded plastic.
Lead	: Pure tin plated, lead free, solderable per MIL-STD-202, Method 208 guaranteed.
Polarity	: Colour band denotes cathode end.
High temperature soldering guaranteed	: 260°C/10 seconds/0.375 inch, (9.5mm) lead lengths at 5lbs., (2.3kg) tension.
Weight	: 1.2 grams.

Maximum Ratings and Electrical Characteristics

Rating at 25°C ambient temperature unless otherwise specified.

Single phase, half wave, 60Hz, resistive or inductive load.

For capacitive load, derate current by 20%.

Type Number	Symbol	31DF4	31DF6	Units
Maximum Recurrent Peak Reverse Voltage	V_{RRM}	400	600	V
Maximum RMS Voltage	V_{RMS}	280	420	
Maximum DC Blocking Voltage	V_{DC}	400	600	
Maximum Average Forward Rectified Current 0.375 (9.5mm) Lead Length at $T_A = 29^\circ\text{C}$ (Note 1) $T_L = 109^\circ\text{C}$	$I_{(AV)}$	1.2 3.0		A
Peak Forward Surge Current, 8.3ms Single Half Sine-wave Superimposed on Rated Load (JEDEC method)	I_{FSM}	45		
Maximum Instantaneous Forward Voltage at 3.0A	V_F	1.7		v
Maximum DC Reverse Current at $T_A = 25^\circ\text{C}$ at Rated DC Blocking Voltage at $T_A = 125^\circ\text{C}$	I_R	20 100		μA
Maximum Reverse Recovery Time (Note 3)	T_{rr}	35		nS
Typical Thermal Resistance (Note 2)	$R_{\theta JA}$	80		$^\circ\text{C/W}$
Operating Temperature Range	T_J	-40 to +150		$^\circ\text{C}$
Storage Temperature Range	T_{STG}			

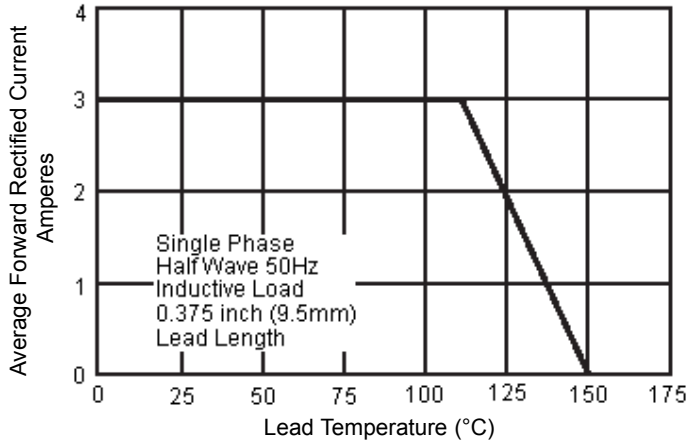
Notes: 1. Without Fin or PC Board.

2. Thermal Resistance from Junction to Ambient 0.375 inch (9.5mm) Lead Length.

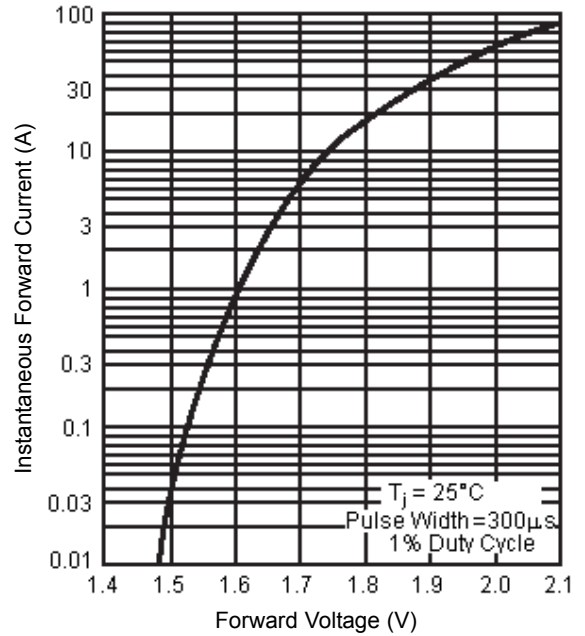
3. Reverse recovery Test Condition: $T_a = 25^\circ\text{C}$, $I_{FM} = 3\text{A}$, $di/dt = 50\text{A/}\mu\text{s}$.

Ratings and Characteristic Curves (31DF4, 31DF6)

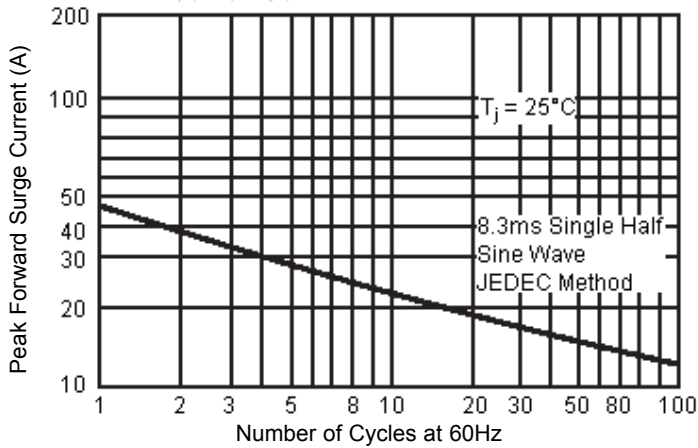
Maximum Forward Current Derating Curve



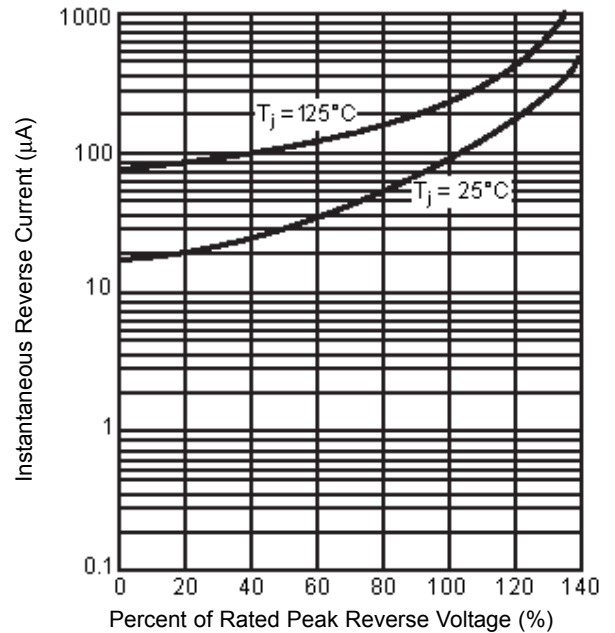
Typical Forward Characteristics



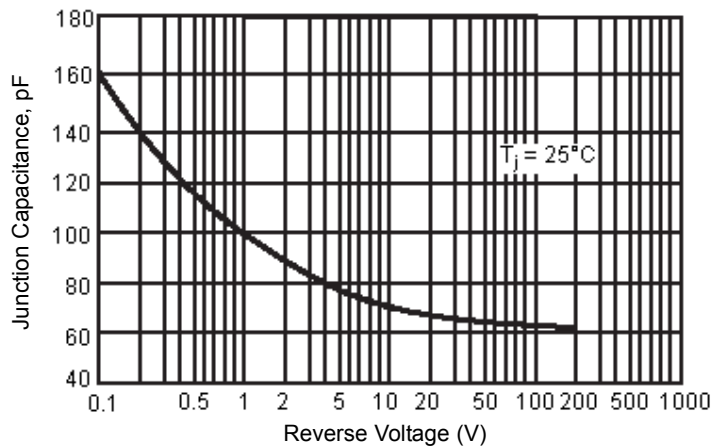
Maximum Non-Repetitive Forward Surge Current



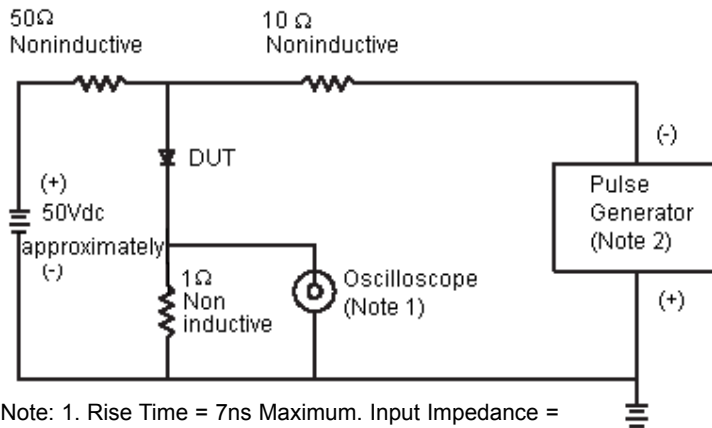
Typical Reverse Characteristics



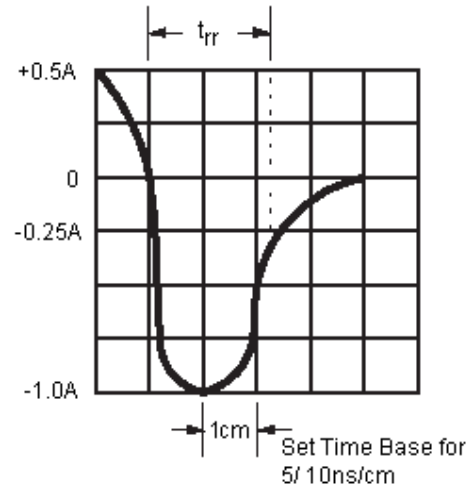
Typical Junction Capacitance



Reverse Recovery Time Characteristic and Test Circuit Diagram



Note: 1. Rise Time = 7ns Maximum. Input Impedance = 1 Megohm 22pf
 2. Rise Time = 10ns Maximum Source Impedance = 50 ohms



Part Number Table

Description	Part Number
Diode, Ultra-fast, 3A, 400V	31DF4
Diode, Ultra-fast, 3A, 600V	31DF6

Notes:

International Sales Offices:

 AUSTRALIA - Farnell Tel No: ++61 1300 361 005 Fax No: ++61 1300 361 225	 FINLAND - Farnell Tel No: ++358 9 560 7780 Fax No: ++358 9 345 5411	 ITALY - Farnell Tel No: ++39 02 93 995 200 Fax No: ++39 02 93 995 300	 SPAIN - Farnell Tel No: 901 20 20 80 Fax No: 901 20 20 90
 AUSTRIA - Farnell Tel No: ++43 662 2180 680 Fax No: ++43 662 2180 670	 FRANCE - Farnell Tel No: ++33 474 68 99 99 Fax No: ++33 474 68 99 90	 MALAYSIA - Farnell-Newark Tel No: ++60 3 7873 8000 Fax No: ++60 3 7873 7000	 SWEDEN - Farnell Tel No: ++46 8 730 50 00 Fax No: ++46 8 83 52 62
 BELGIUM - Farnell Tel No: ++32 3 475 2810 Fax No: ++32 3 227 3648	 GERMANY - Farnell Tel No: ++49 89 61 39 39 39 Fax No: ++49 89 613 59 01	 NETHERLANDS - Farnell Tel No: ++31 30 241 7373 Fax No: ++31 30 241 7333	 SWITZERLAND - Farnell Tel No: ++44 204 64 64 Fax No: ++44 204 64 54
 BRAZIL - Farnell-Newark Tel No: ++55 11 4066 9400 Fax No: ++55 11 4066 9410	 HONG KONG - Farnell-Newark Tel No: ++852 2268 9888 Fax No: ++852 2268 9899	 NEW ZEALAND - Farnell Tel No: 0800 90 80 80 Fax No: 0800 90 80 81	 UK - Farnell Tel No: ++44 8701 200 200 Fax No: ++44 8701 200 201
 CHINA - Farnell-Newark Tel No: ++86 10 6238 5152 Fax No: ++86 10 6238 5022	 HUNGARY - Farnell Tel No: ++44 870 1200 208 Fax No: ++44 870 1200 209	 NORWAY - Farnell Tel No: 800 146 70 Fax No: 800 146 76	 UK - CPC ++44 8701 202 530 ++44 8701 202 531
 CZECH REPUBLIC - Farnell Tel No: ++44 870 1200 208 Fax No: ++44 870 1200 209	 INDIA - Farnell Tel No: ++44 870 1200 208 Fax No: ++44 870 1200 209	 PORTUGAL - Farnell Tel No: ++34 93 475 8804 Fax No: ++34 93 474 5288	 USA - Newark Tel No: 800 463 9275
 DENMARK - Farnell Tel No: ++45 44 53 66 44 Fax No: ++45 44 53 66 06	 IRELAND - Farnell Tel No: ++353 1 830 9277 Fax No: ++353 1 830 9016	 RUSSIA - Farnell Tel No: ++44 870 1200 208 Fax No: ++44 870 1200 209	 EXPORT - Farnell Tel No: ++44 8701 200 208 Fax No: ++44 8701 200 209 For enquiries from all other markets
 ESTONIA - Farnell Tel No: ++358 9 560 7780 Fax No: ++358 9 345 5411	 ISRAEL - Farnell Tel No: ++180 937 0015 Fax No: ++180 937 0014	 SINGAPORE - Farnell-Newark Tel No: ++65 6788 0200 Fax No: ++65 6788 0300	http://www.farnell.com http://www.newark.com http://www.cpc.co.uk

Disclaimer This data sheet and its contents (the "Information") belong to the Premier Farnell Group (the "Group") or are licensed to it. No licence is granted for the use of it other than for information purposes in connection with the products to which it relates. No licence of any intellectual property rights is granted. The Information is subject to change without notice and replaces all data sheets previously supplied. The Information supplied is believed to be accurate but the Group assumes no responsibility for its accuracy or completeness, any error in or omission from it or for any use made of it. Users of this data sheet should check for themselves the Information and the suitability of the products for their purpose and not make any assumptions based on information included or omitted. Liability for loss or damage resulting from any reliance on the Information or use of it (including liability resulting from negligence or where the Group was aware of the possibility of such loss or damage arising) is excluded. This will not operate to limit or restrict the Group's liability for death or personal injury resulting from its negligence. SPC Multicomp is the registered trademark of the Group. © Premier Farnell plc 2008.