



**SOLID STATE INC.**

46 FARRAND STREET  
BLOOMFIELD, NEW JERSEY 07003

www.solidstateinc.com

## SILICON RECTIFIERS

### 25 Ampere Silicon Power Diodes

#### FEATURES

##### All Diffused Series

- ❖ Available in Normal & Reverse Polarity
- ❖ Industrial Grade
- ❖ Available In Avalanche Characteristic

**DO-4**

#### ELECTRICAL SPECIFICATIONS

##### 25F/FR

<b>IF(AV)</b>	Maximum Average Forward Current Tc = 140°C	25A
<b>V<sub>FM</sub></b>	Maximum peak forward voltage drop @ Rated IF(AV)	1.2 V
<b>I<sub>FSM</sub></b>	Maximum peak one cycle (non-rep) surge current 10 msec	400 A
<b>I<sub>FRM</sub></b>	Maximum peak repetitive surge current	150 A
<b>I<sub>2t</sub></b>	Maximum I <sup>2</sup> t rating (non-rep.) for 5 to 10 msec.	800 A <sup>2</sup> Sec

#### THERMAL MECHANICAL SPECIFICATIONS

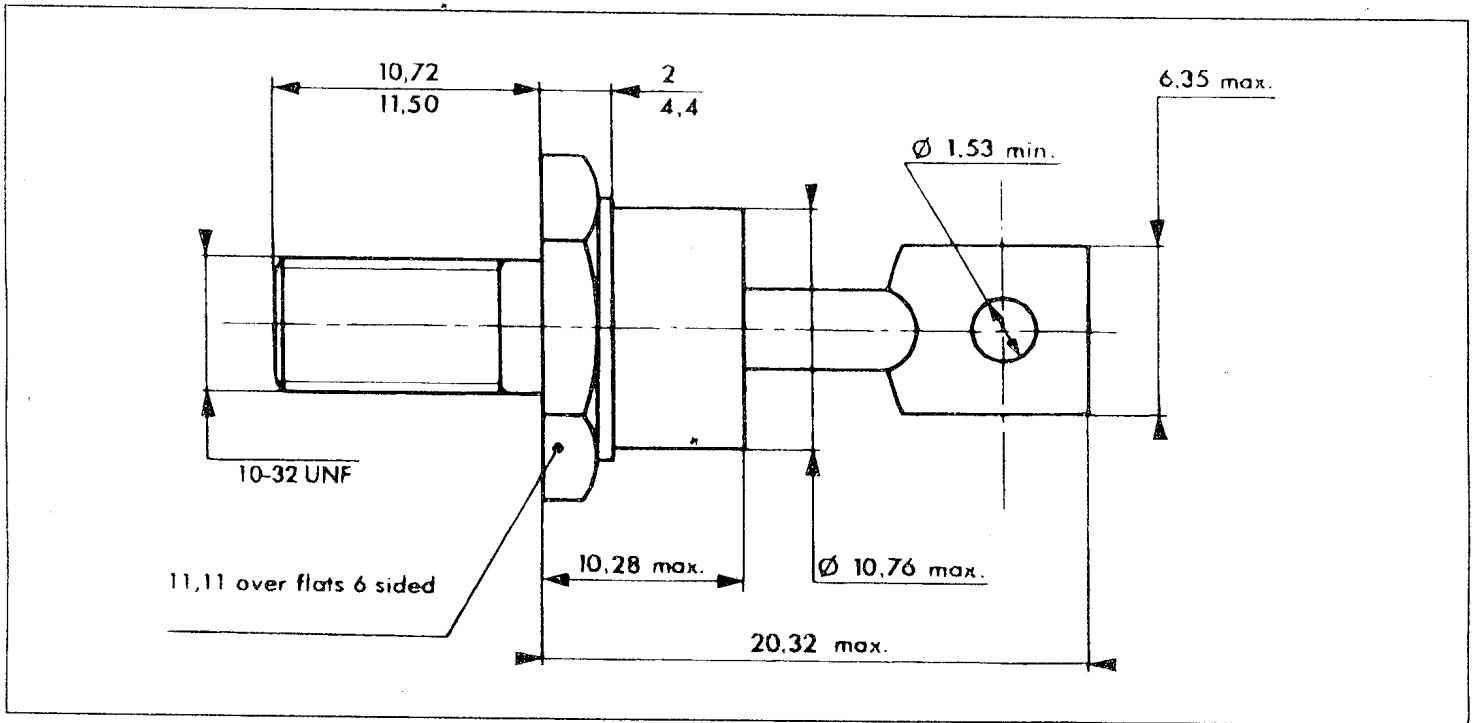
<b>OJ-C</b>	Maximum thermal resistance junction to case	0.80°C/W
<b>TJ</b>	Operating Junction Temp.	-65°C to 150°C
<b>Tstg</b>	Storage temperature.	-65C to 200°C
	Mounting torque (Non-lubricated threads)	0.14 M-Kg min. 0.17 M-kg max.
<b>W</b>	Approx. weight	7 gms.

#### ELECTRICAL RATING

TYPE	NUMBER 25F/FR	10	20	40	60	80	100	120	140	160
VRRMS	Max. repetitive peak voltage (V)	100	200	400	600	800	1000	1200	1400	1600
VR(RMS)	Max.R.M.S Reverse Voltage (V)	70	140	280	420	560	700	840	980	1120
VR	Max. D.C. Blocking Voltage(V)	100	200	400	60	800	1000	1200	1400	1600
	Recommended R.M.S. working voltage (V)	40	80	160	240	320	400	480	560	640
IR(AV)	Max. Average reverse leakage current @VRRM Tc 25 Degree C (uA)	10	10	10	10	10	10	10	10	10

# PACKAGE MECHANICAL DATA

DO 4 Metal



Marking : Cathode connected to case : type number  
Anode connected to case : type number + suffix R