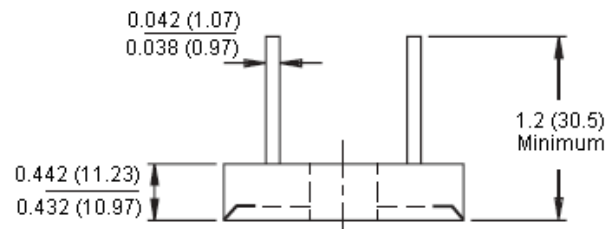
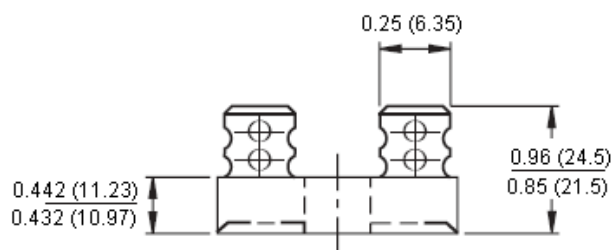
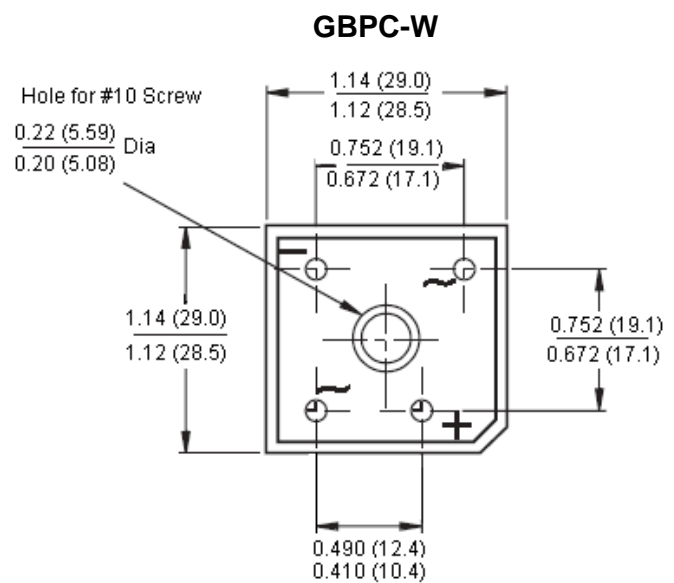
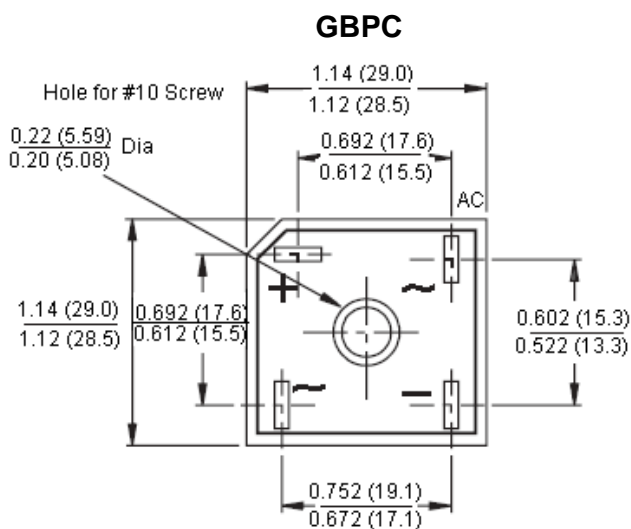


# GBPC15,25,35- Series



## Features:

- Plastic material.
- Integrally moulded heatsink provide very low thermal resistance for maximum heat dissipation.
- Surge overload ratings from 300 to 400 amperes.
- Terminals solderable per MIL-STD-202, method 208 (for wire type).
- Typical  $I_R$  less than 0.2  $\mu$ A.
- High temperature soldering guaranteed: 260°C/10 seconds 0.375 inches (9.5mm) lead lengths (for wire type).
- Isolated voltage from case to lead over 2500 volts.



Dimensions : Inches (Millimetres)



# GBPC15,25,35- Series



## Maximum Ratings and Electrical Characteristics

Rating at 25°C ambient temperature unless otherwise specified.

Single phase, half wave, 60Hz, resistive or inductive load.

For capacitive load, derate current by 20%.

Type Number	Symbol	-005	-01	-02	-04	-06	-08	-10	Units
Maximum Recurrent Peak Reverse Voltage	$V_{RRM}$	50	100	200	400	600	800	1000	V
Maximum RMS Voltage	$V_{RMS}$	35	70	140	280	420	560	700	
Maximum DC Blocking Voltage	$V_{DC}$	50	100	200	400	600	800	1000	
Maximum Average Forward Rectified Current at $T_c = 55^\circ\text{C}$	GBPC15 GBPC25 GBPC35 $I_{(AV)}$	15.0 25.0 35.0						A	
Peak Forward Surge Current, Single Sine-wave Superimposed on Rated Load (JEDEC method)	GBPC15 GBPC25 GBPC35 $I_{FSM}$	300 300 400						A	
Maximum Instantaneous Forward Voltage Drop Per Element at Specified Current	GBPC15 7.5A GBPC25 12.5A GBPC35 17.5A $V_F$	1.1						V	
Maximum DC Reverse Current at Rated DC Blocking Voltage per Element	$I_R$	5						mA	
Typical Thermal Resistance (Note 1)	$R_{\theta JC}$	1.5						°C/W	
Operating and Storage Temperature Range	$T_J, T_{STG}$	-50 to +150						°C	

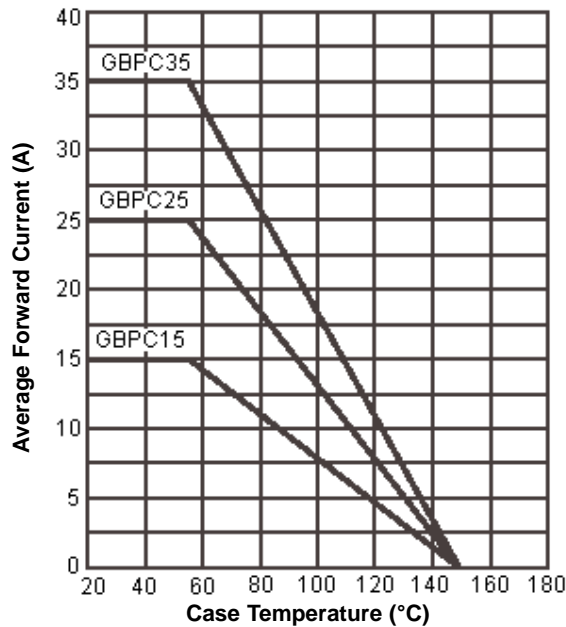
- Notes:**
1. Thermal Resistance from Junction to Case.
  2. Suffix "W" - Wire Lead Structure.

# GBPC15,25,35- Series

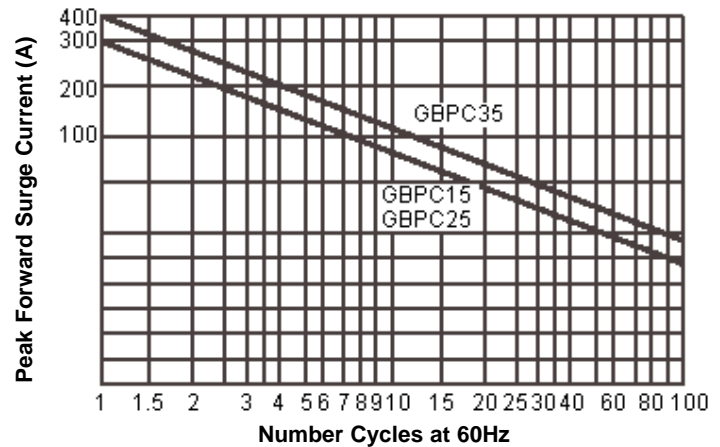


Ratings and Characteristic Curves (GBPC15005 thru GBPC1510, GBPC25005 thru GBPC2510, GBPC35005 thru GBPC3510)

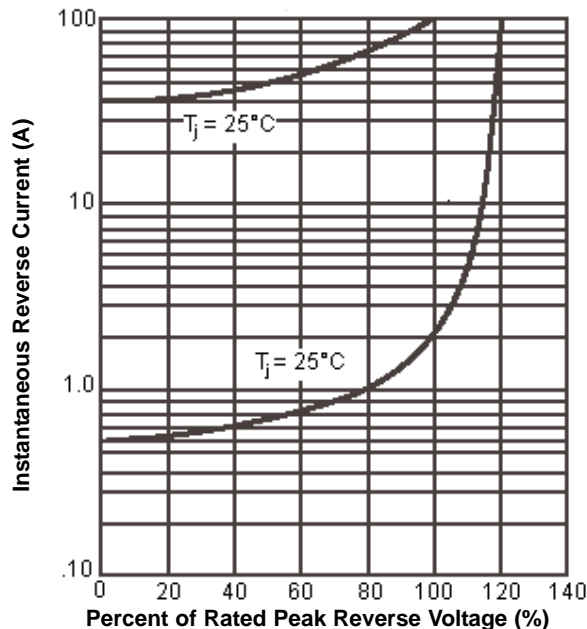
Maximum Forward Current Derating Curve



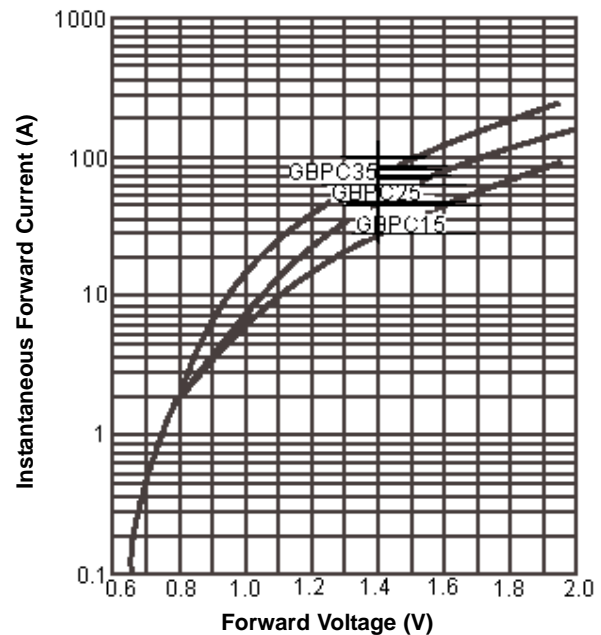
Maximum Non-Repetitive Forward Surge Current Per Bridge Element



Typical Reverse Characteristics Per Bridge Element



Typical Forward Characteristics Per Bridge Element



## Part Number Table

Description	Part Number
Bridge Rectifier, 15A, 50V	GBPC15005
Bridge Rectifier, 15A, 50V	GBPC15005W
Bridge Rectifier, 15A, 100V	GBPC1501
Bridge Rectifier, 15A, 100V	GBPC1501W
Bridge Rectifier, 15A, 200V	GBPC1502
Bridge Rectifier, 15A, 200V	GBPC1502W
Bridge Rectifier, 15A, 400V	GBPC1504
Bridge Rectifier, 15A, 400V	GBPC1504W
Bridge Rectifier, 15A, 600V	GBPC1506
Bridge Rectifier, 15A, 600V	GBPC1506W
Bridge Rectifier, 15A, 800V	GBPC1508
Bridge Rectifier, 15A, 800V	GBPC1508W
Bridge Rectifier, 15A, 1000V	GBPC1510
Bridge Rectifier, 15A, 1000V	GBPC1510W
Bridge Rectifier, 25A, 50V	GBPC25005W
Bridge Rectifier, 25A, 100V	GBPC2501W
Bridge Rectifier, 25A, 200V	GBPC2502W
Bridge Rectifier, 25A, 400V	GBPC2504W
Bridge Rectifier, 25A, 600V	GBPC2506W
Bridge Rectifier, 25A, 800V	GBPC2508W
Bridge Rectifier, 25A, 1000V	GBPC2510
Bridge Rectifier, 25A, 1000V	GBPC2510W
Bridge Rectifier, 35A, 50V	GBPC35005B0
Bridge Rectifier, 35A, 50V	GBPC35005W
Bridge Rectifier, 35A, 100V	GBPC3501
Bridge Rectifier, 35A, 100V	GBPC3501W

# GBPC15,25,35- Series



## Part Number Table

Description	Part Number
Bridge Rectifier, 35A, 200V	GBPC3502W
Bridge Rectifier, 35A, 400V	GBPC3504
Bridge Rectifier, 35A, 400V	GBPC3504W
Bridge Rectifier, 35A, 600V	GBPC3506
Bridge Rectifier, 35A, 600V	GBPC3506W
Bridge Rectifier, 35A, 800V	GBPC3508
Bridge Rectifier, 35A, 800V	GBPC3508W
Bridge Rectifier, 35A, 1000V	GBPC3510
Bridge Rectifier, 35A, 1000V	GBPC3510W

**Disclaimer** This data sheet and its contents (the "Information") belong to the Premier Farnell Group (the "Group") or are licensed to it. No licence is granted for the use of it other than for information purposes in connection with the products to which it relates. No licence of any intellectual property rights is granted. The Information is subject to change without notice and replaces all data sheets previously supplied. The Information supplied is believed to be accurate but the Group assumes no responsibility for its accuracy or completeness, any error in or omission from it or for any use made of it. Users of this data sheet should check for themselves the Information and the suitability of the products for their purpose and not make any assumptions based on information included or omitted. Liability for loss or damage resulting from any reliance on the Information or use of it (including liability resulting from negligence or where the Group was aware of the possibility of such loss or damage arising) is excluded. This will not operate to limit or restrict the Group's liability for death or personal injury resulting from its negligence. SPC Multicomp is the registered trademark of the Group. © Premier Farnell plc 2010.

<http://www.farnell.com>  
<http://www.newark.com>  
<http://www.cpc.co.uk>

