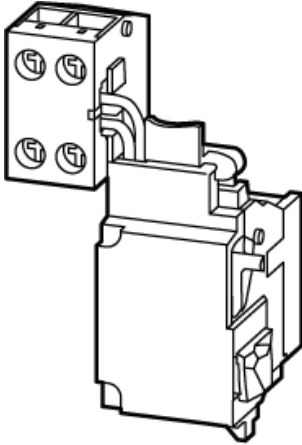


Type: **NZM1-XA380-440AC/DC**

Article No.: **259728**

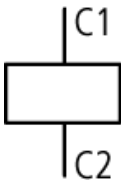
Sales text **Shunt release**



Switches are tripped by a voltage pulse or by the application of uninterrupted voltage.

### Ordering information

For use with			NZM1(-4), N(S)1(-4)
Rated control voltage	$U_s$	V	380 V – 440 V AC/DC



### Notes concerning the product group

When the undervoltage release is de-energized, accidental contact with the main contacts of the switch during attempts to switch on, is safely prevented.

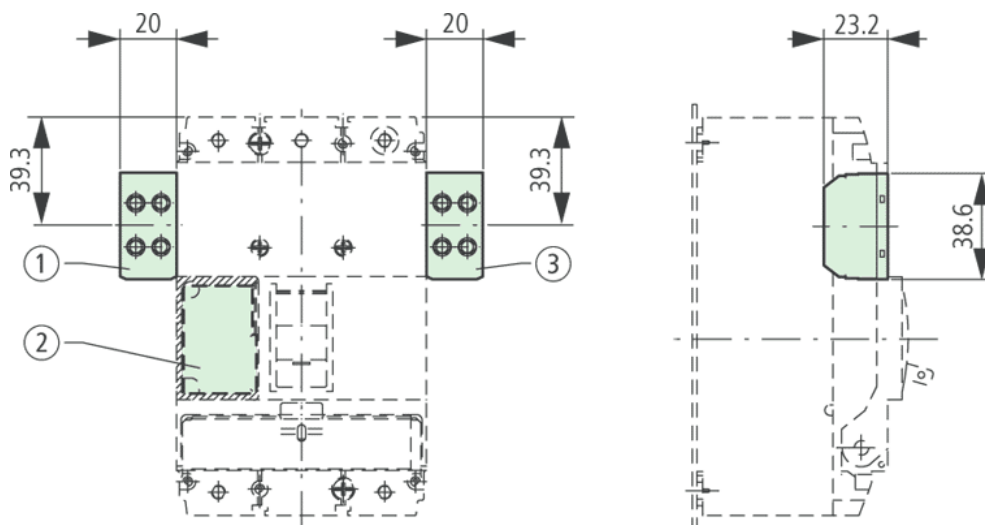
Shunt release cannot be installed simultaneously with NZM...-XHIV... early-make auxiliary contact or NZM...-XU... undervoltage release.

### Shunt release

Rated control voltage			
AC	$U_s$	V AC	12...440
DC	$U_s$	V DC	12...440
Frequency range		Hz	0 – 400
Operating range			
AC		$\times U_s$	0,7...1,1

DC		$\times U_s$	0,7...1,1
Power consumption			
Pick-up AC/DC		VA/W	2,5
Sealing AC/DC		VA/W	2,5
Maximum opening delay (response time until opening of the main contacts)		ms	Approx. 20
Maximum duty factor		% DF	
Minimum command time		ms	Approx. 10 ... 15
Terminal capacities			
Solid or flexible conductor with ferrule		mm <sup>2</sup>	1 × (0.75 ... 2.5) 2 × (0.75 ... 2.5)
		AWG	1 × (18 ... 14) 2 × (18 ... 14)

## Dimensions



Moeller GmbH, Hein-Moeller-Str. 7-11, D-53115 Bonn  
 E-Mail: [catalog@moeller.net](mailto:catalog@moeller.net), Internet: [www.moeller.net](http://www.moeller.net), <http://catalog.moeller.net>  
 Copyright 2006 by Moeller GmbH. HPL-C2007G V2.1