

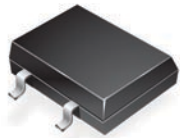
Ethernet

Power Over Ethernet (PoE)

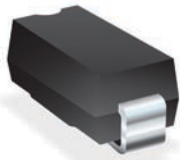
Solution Products



CDNBS08-PLC03-3.3



CDNBS04-B08200



SMBJ58A



MF-SMDF050

Design Kit



PN-DESIGNKIT 2

Objective

Power over Ethernet (PoE) interfaces combine two Vp-p differential signals and nominal 48 VDC power. This solution provides protection for both the data and power signals.

Solution

- 2 TVS Diode Arrays: CDNBS08-PLC03-3.3
- 2 Rectifier Diode Arrays: CDNBS04-B08200
- 1 Discrete TVS Diode: SMBJ58A
- 1 Multifuse® PTC: MF-SMDF050

Compliance

- IEEE802.3af and IEEE802.11af
- IEC 61000-4-2 Level 4 (8 kV / 15 kV)

Alternate Recommendations

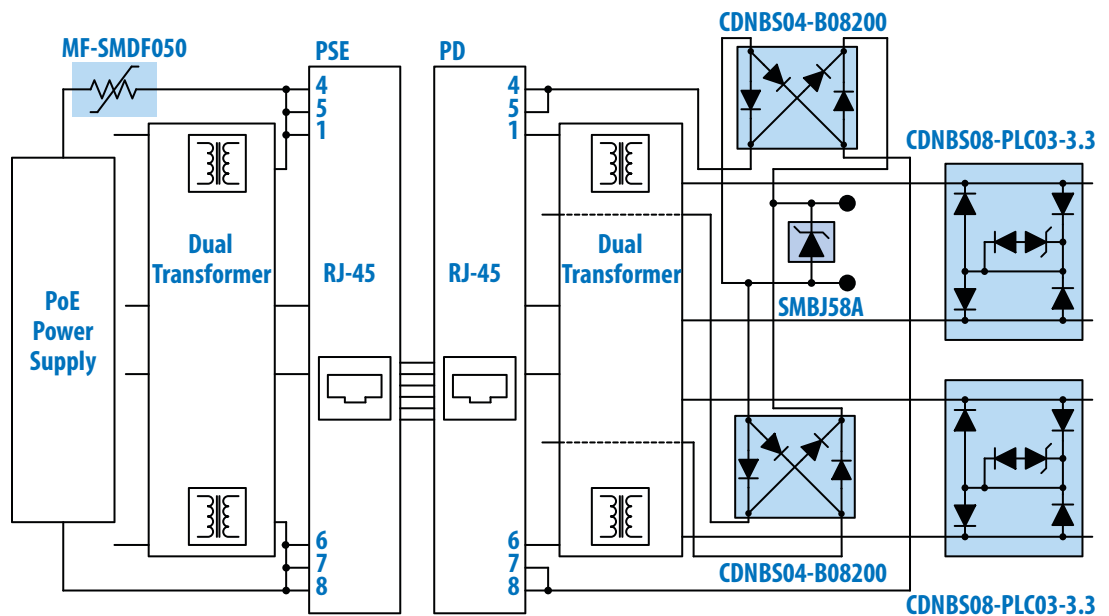
Other PortNote™ Solutions:

- Ethernet: ESD and Surge Protection
- Ethernet: PoE Protection

Contact Bourns for PoE+ or Gbit PoE ports.

Benefit

This solution provides protection for POE without impairing the Ethernet signal.



The schematic above illustrates the application protection and does not constitute the complete circuit design. Customers should verify actual device performance in their specific applications.