

Solution Products



MF-NSMF075



CG0603MLC-05LE

Objective

Universal Serial Bus (USB) 2.0 ports provide up to 480 Mbps data transfer rates and 5 V power at up to 500 mA. As a hot-pluggable interface, it typically requires protection against ESD, short circuits and faulty equipment.

Solution

1 Multifuse® PTC: MF-NSMF075
3 ChipGuard® ESD Suppressors: CG0603MLC-05LE

Compliance

USB 2.0
UL60950
IEC 61000-4-2 Level 4 (8 kV / 15 kV)

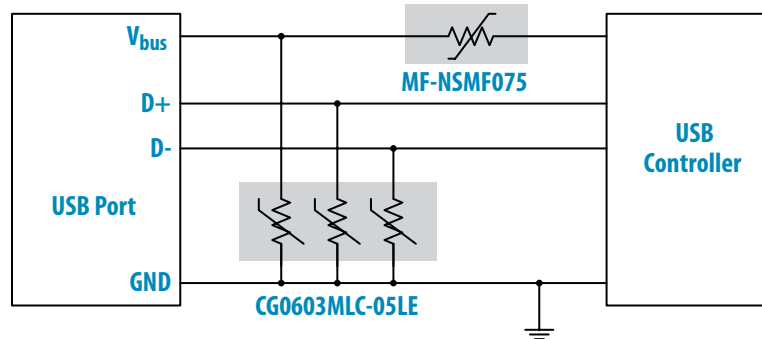
Alternate Recommendations

Other PortNote™ Solutions:

- USB: USB 3.0 - ESD & Overcurrent Protection

Benefit

This solution provides USB 2.0 ports with compatible protection without impairing the transmission of power or data.



The schematic above illustrates the application protection and does not constitute the complete circuit design. Customers should verify actual device performance in their specific applications.

Design Kit



PN-DESIGNKIT 3

BOURNS®

Americas: Tel +1-951 781-5500
Fax +1-951 781-5700

Europe: Tel +41-(0)41 768 55 55
Fax +41-(0)41 768 55 10

Asia-Pacific: Tel +886-2 256 241 17
Fax +886-2 256 241 16

Bourns® PortNote™ solutions provide protection recommendations for typical port threats.

For more information, go to:

www.bourns.com

or email: protection@bourns.com